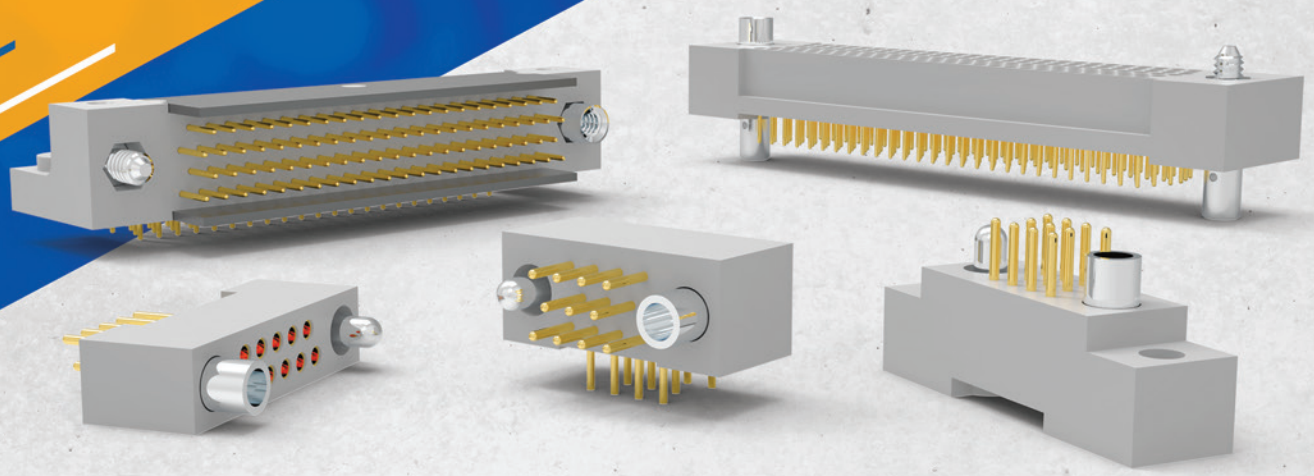


R Series

Rectangular — 0.075" (1.91mm)

AirBorn
High-Reliability Interconnect Solutions

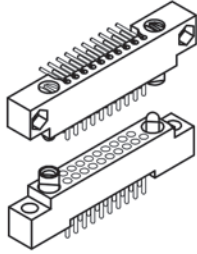


"R" SERIES - .075"
MIL-C-55302

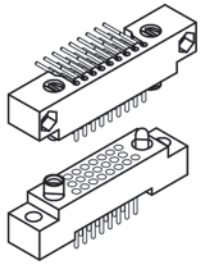


Daughterboard to Motherboard or Chassis

Right angle plug mating to straight receptacle.

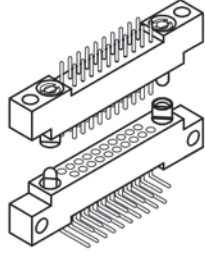


2 Row
Sizes: 10 thru 100
Page: R-9

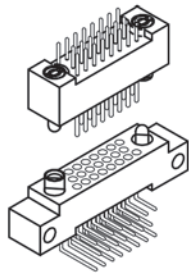


3 Row
Sizes: 11 thru 206
Page: R-21

Right angle receptacle mating to straight plug.

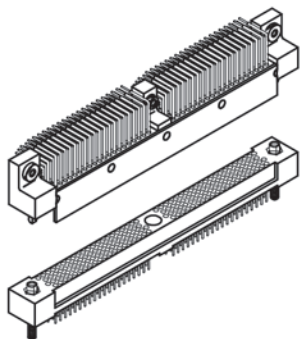


2 Row
Sizes: 10 thru 100
Page: R-11

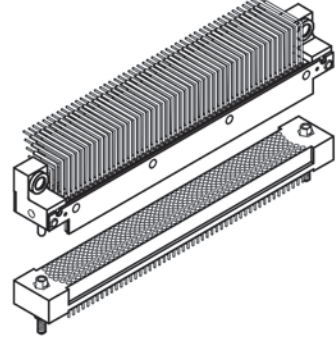


3 Row
Sizes: 11 thru 206
Page: R-23

Right angle plug mating to straight receptacle.

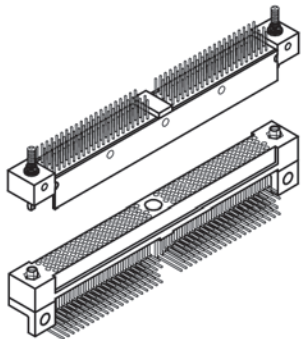


4 Row
Sizes: 86 thru 404
Page: R-43

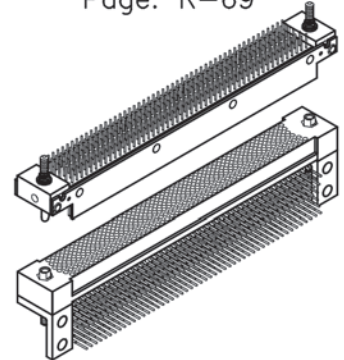


6 Row
Sizes: 162 thru 402
Page: R-59
Sizes: 448 & 604
Page: R-69

Right angle receptacle mating to straight plug.



4 Row
Sizes: 86 thru 404
Page: R-45

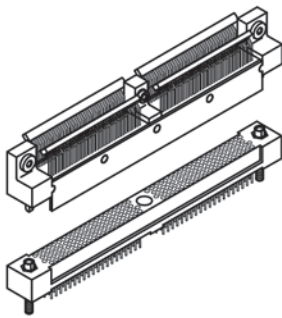


6 Row
Sizes: 162 thru 402
Page: R-61
Sizes: 448 & 604
Page: R-71

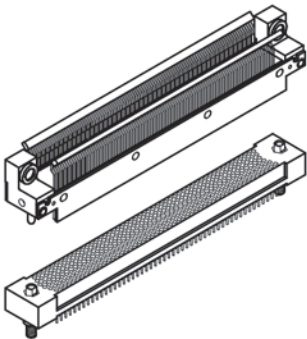


Daughterboard to Motherboard or Chassis

Surface mount plug
mating to straight receptacle.



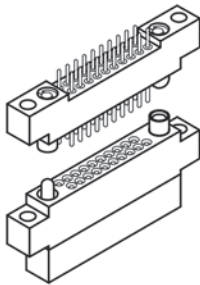
4 Row
Sizes: 86 thru 404
Page: R-47



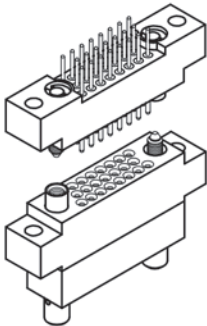
6 Row
Sizes: 162 thru 402
Page: R-63
Sizes: 448 & 604
Page: R-73

Cable or Board mating to Crimp Removable

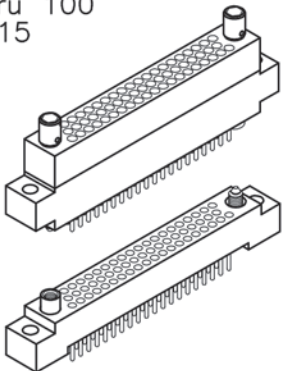
Straight plug mating to
crimp removable receptacle.



2 Row
Sizes: 10 thru 100
Page: R-15

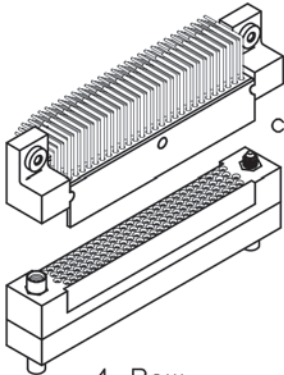


3 Row
Sizes: 11 thru 80
Page: R-27



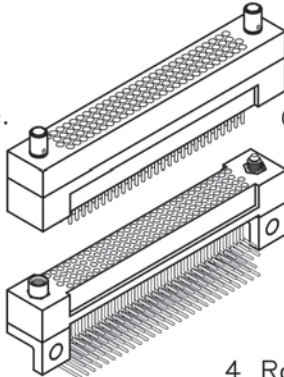
3 Row
Sizes: 11 thru 80
Page: R-31

Crimp removable plug mating to
straight receptacle



4 Row
Sizes: 86 & 110
Page: R-49

Straight plug mating to
crimp removable receptacle.

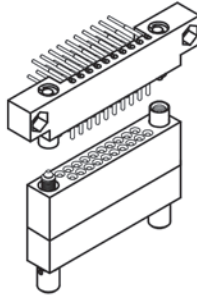


4 Row
Sizes: 86 & 110
Page: R-51

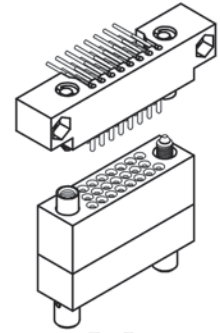
Crimp removable plug mating to
right angle receptacle.



Right angle plug mating to crimp removable receptacle.

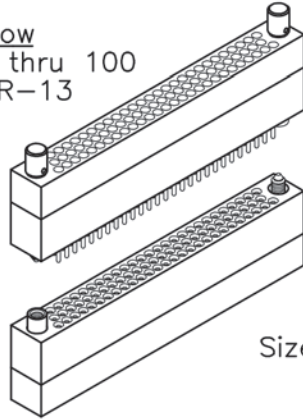


2 Row
Sizes: 10 thru 100
Page: R-13



3 Row
Sizes: 11 thru 80
Page: R-25

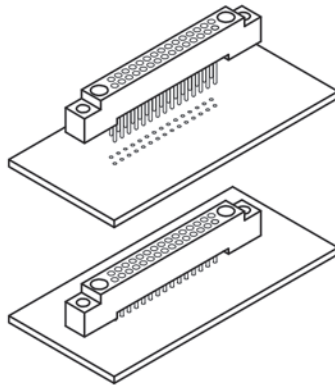
Crimp removable plug mating to crimp removable receptacle.



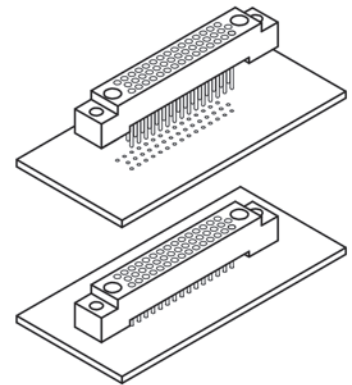
3 Row
Sizes: 11 thru 80
Page: R-29

PC Board Stackable

Plated thru hole stackable or connector saver.

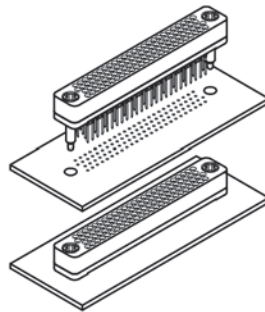


2 Row
Sizes: 10 thru 100
Page: R-18

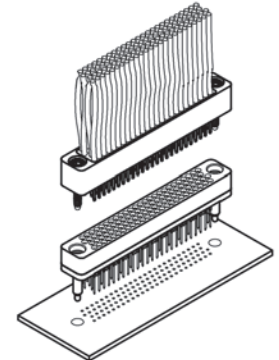


3 Row
Sizes: 11 thru 206
Page: R-34

Compliant pin (press fit) stackable.



4 Row
Sizes: 28 thru 300
Page: R-82



4 Row
Sizes: 28 thru 152
Page: R-85

Contents

"R" Series

.075" Rectangular Plastic Board Level Connectors

R-1	Index	
R-4	Contents	
R-6	Specifications	
R-7	Performance	
R-8	Part number description	
2-Row Connectors - Board to Board, Board to Cable, Sizes: 10-100		
R-9	RM252, RM272	Plug, right angle with or without mounting ears
	RM222, RM242	Receptacle, straight, with or without mounting ears
R-11	RM212, RM232	Plug, straight, with or without mounting ears
	RM262, RM282	Receptacle, right angle, with or without mounting ears
R-13	RM252, RM272	Plug, right angle, with or without mounting ears
	RM222, RM242	Receptacle, straight, crimp removable, with or without mounting ears
R-15	RM212, RM232	Plug, straight, with or without mounting ears
	RM222, RM242	Receptacle, straight, crimp removable, with or without mounting ears
R-18	RM222, RM242	Receptacle, straight, stackable or connector saver
R-18.1	RA2	Receptacle, straight with or without potting well or mounting ears
R-19	RM252, RM272	Board layout - plug, right angle
	RM212, RM232	Board layout - plug, straight
R-20	RM262, RM282	Board layout - receptacle, right angle
	RM222, RM242	Board layout - receptacle, straight
3-Row Connectors - Board to Board, Board to Cable, Sizes: 11-206		
R-21	RM352, RM372	Plug, right angle with or without mounting ears
	RM322, RM342	Receptacle, straight, with or without mounting ears
R-23	RM312, RM332	Plug, straight, with or without mounting ears
	RM362, RM382	Receptacle, right angle, with or without mounting ears
R-25	RM352, RM372	Plug, right angle, with or without mounting ears
	RM322, RM342	Receptacle, straight, crimp removable, with or without mounting ears
R-27	RM312, RM332	Plug, straight, with or without mounting ears
	RM322, RM342	Receptacle, straight, crimp removable, with or without mounting ears
R-29	RM312, RM332	Plug, straight, crimp removable, with or without mounting ears
	RM322, RM342	Receptacle, straight, crimp removable, with or without mounting ears
R-31	RM312, RM332	Plug, straight, crimp removable, with or without mounting ears
	RM322, RM342	Receptacle, straight, with or without mounting ears
R-33	RA3	Plug, straight, with or without potting well or mounting ears
R-33.2	RA3	Receptacle, straight, with or without potting well or mounting ears
R-33.4	RA	RA Assembly instructions, crimp instructions and crimp accessories
R-34	RM322, RM342	Receptacle, straight, stackable or connector saver
R-35	RM352, RM372	Board layout - plug, right angle
	RM312, RM332	Board layout - plug, straight
R-36	RM362, RM382	Board layout - receptacle, right angle
	RM322, RM342	Board layout - receptacle, straight
R-38	Guide hardware, polarization chart, 2 & 3 row	
R-39	Contacts, 2 & 3 row	
R-40	Military cross reference chart, 2 & 3 row	
R-41	Jacksets and guide sets, 2 & 3 row	
4-Row Connectors - Board to Board, Board to Cable, Sizes: 86-300		
R-43	RM452	Plug, right angle, with mounting ears
	RM422	Receptacle, straight, with mounting ears
R-45	RM412	Plug, straight, with mounting ears
	RM462	Receptacle, right angle, with mounting brackets
R-47	RM412	Plug, surface mount, with mounting ears
	RM422	Receptacle, straight, with mounting ears
R-49	RM412	Plug, right angle, with mounting ears
	RM422	Receptacle, straight, crimp removable, without mounting ears

-- Continued on next page

Contents

-- Continued from previous page

R-51	RM412	Plug, straight, crimp removable, with or without mounting ears
	RM462	Receptacle, right angle, with mounting ears
R-53	RM452	Board layout - plug, right angle
	RM412	Board layout - plug, straight
R-54	RM462	Board layout - receptacle, right angle
	RM422	Board layout - receptacle, straight
R-55	RM412	Board layout - plug, straddle mount SMT, with mounting ears
R-56	RM412	Configuration chart - plug, straddle mount SMT
R-57	RM4	Polarization chart - guide hardware
R-58	RM4	Contacts, 4 row

6-Row Connectors - PC Card SMT to Board, Sizes: 162-402

R-59	RM672	Plug, right angle, with mounting ears
	RM642	Receptacle, straight, with mounting ears
R-61	RM632	Plug, straight, with mounting ears
	RM682	Receptacle, right angle, with mounting brackets
R-63	RM632	Plug, surface mount, with mounting ears
	RM642	Receptacle, straight, with mounting ears
R-65	RM672	Board layout - plug, right angle
	RM632	Board layout - plug, straight
R-66	RM682	Board layout - receptacle, right angle
	RM642	Board layout - receptacle, straight
R-67	RM632	Board layout - plug, straddle mount SMT, with mounting ears

6-Row Connectors - PC Card SMT to Board, Sizes: 448 & 604

R-69	RM652	Plug, right angle, with mounting ears
	RM622	Receptacle, straight, with mounting ears
R-71	RM612	Plug, straight, with mounting ears
	RM662	Receptacle, right angle, with mounting brackets
R-73	RM612	Plug, surface mount, with mounting ears
	RM622	Receptacle, straight, with mounting ears
R-75	RM652	Board layout - plug, right angle
	RM612	Board layout - plug, straight
R-76	RM662	Board layout - receptacle, right angle
	RM622	Board layout - receptacle, straight
R-77	RM612	Board layout - plug, straddle mount SMT, with mounting ears
R-78	RM6	Contacts, 6 row

4-Row Connectors - Press fit, Stackable, Sizes: 28-300

R-79	RC422, RC442	Specifications, Stackable Compliant Pin Connectors
R-80	RC422, RC442	Performance, Stackable Compliant Pin Connectors
R-81	RC422, RC442	Receptacle, standard and low profile
R-82	RC422, RC442	Part number build-up
R-82.1	RC4C2	Plug, with potting well, stranded wire
R-82.2	RC4C2	Part number build-up
R-83	RC422, RC442	Typical applications
R-83.1	RC4C2	Press fit stackable with cable mate
R-84	RC422, RC442	Board layout

Specifications

Materials and Finishes *

Pin Contacts:	BeCu, per ASTM-B196, ASTM B 197/B 197M-, or brass alloy per ASTM B 16/B 16M or ASTM-B134
Socket Contacts:	BeCu per ASTM-B194 and/or ASTM-B196, ASTM B 197/B 197M-, or brass per ASTM B 16/B 16M or ASTM-B134
Contact Finish:	Gold plate per ASTM B 488-, SAE AMS 2422, or localized finish per MIL-DTL-55302 and associated slash sheet
Solder:	Sn/Pb Alloy - 63% Tin, 37% Lead composition (☒). SAC305 - 96.5% Tin, 3.0% Silver, 0.5% Copper composition.
Molded Insulators:	Glass filled polyphenylene sulfide per MIL-M-24519, Type GST-40F
Jackscrews:	Stainless steel per ASTM A 582/A582M-, Passivated per ASTM-A967, SAE AMS-QQ-P-35
Jacksockets:	Stainless steel per ASTM A 582/A582M-, Passivated per ASTM-A967, SAE AMS-QQ-P-35
Jackscrew Knobs:	Stainless steel per ASTM A 582/A582M-, Passivated per ASTM-A967, SAE AMS-QQ-P-35
Guide Pins, Guide Sockets:	Stainless steel per ASTM A 582/A582M-, Passivated per ASTM-A967, SAE AMS-QQ-P-35
Guide Sockets, Polarized "D" type:	BeCu per ASTM-B196, ASTM B 197/B 197M-, Nickel plated per SAE AMS-QQ-N-290
Connector Markings:	Contact numbers are stamped on the side of the connector. Numbers are stamped on the low-numbered side only on 2-row and 3-row right angle connectors
Tolerances:	Unless otherwise specified: Fractions = $\pm 1/64$ " Decimals = $\pm .010$ " Angles = $\pm 5^\circ$

Note: AirBorn can manufacture special configurations for your exact specifications.

* = Reference the above listed specifications or an equivalent industry standard when applicable

☒ Symbolizes options that are not ROHS compliant.



Performance

Reference MIL-C-55302

Contact Rating:	3-amperes (2 amperes for .016 diameter)
Solderability:	Terminals (except wire wrap [®] , crimp and stackables) tested in accordance with MIL-STD-202, Method 208
Wire Size:	Stranded #26 AWG
Operating Temperature:	-65° to +125° C or -85° to +257° F

<u>Category:</u>	<u>Requirements:</u>	<u>Test Method Per:</u> <u>SAE AS 13441</u>
Test Voltage:	750 V, RMS, 60 Hz @ sea level 250 V, RMS, 60 Hz @ 70,000 feet	#3001
Insulation Resistance:	5,000 megohms minimum @ 500 VDC	#3003
Durability:	500 connector mating cycles	
Vibration:	Mated connectors, Test condition III	#2005
Salt Spray:	Mated connectors, Test condition B	#1001
Shock:	Mated connectors, Test condition G	#2004
Humidity:	Test Type II, except steps 7A and 7B not required	#1002
Temperature Cycling:	Mated connectors, Test condition A	#1003
Contact Resistance:	.015 ohms max (interface measurement) @ 3 amperes	#3004
Connector Mating Force:	2.50 oz. x number of contacts average	
Outgassing:	The entire connector assembly shall have maximum total mass loss (TML) of 1.0 percent of the original specimen mass and shall have a maximum volatile condensable material (VCM) content of 0.1 percent of the original specimen mass.	
Sizes 50 and larger:	Upon engagement, center area of mating faces may remain open .010" to .025" due to slight flexing of molding. Vibration or shock should provide complete closure.	
Guides and Jacks:	If location of pin or socket contacts is reversed, location of male and female guides or jacks is also reversed; except when using "D" shaped polarized guides. When polarized positions are changed, apply Loctite [®] 242-12 or equivalent to threads.	

Part Number Description

Each part number consists of at least five elements: series, body description, size (number of contacts), type of contacts, and type of hardware. A sixth element is added whenever special modifications or options are available.

Each catalog page shows the choices available for each of these elements. By selecting one option from each category on the page, you can build a set of connectors to meet your requirements.

Each element is identified by a combination of letters and/or numbers in fixed field lengths, and separated by a hyphen (-). Each space must be filled in to complete the number. When the size, for example, is less than 100, indicate as 010, 080, etc.

Series:

This will always be a two letter designator, and will identify the connector series. All .075" connectors begin with the letter "R". The second letter designates the various styles of .075" connectors.

Body:

Each digit of the Body Designator will normally identify (1) the number of rows, (2) the style of body, and (3) the body materials. The three digit number to identify the body consists of one digit from each group.

Size:

The size is determined by the number of contacts in the connector, and is an integral part of the part number. Order only sizes shown on the catalog page unless otherwise noted.

Contacts:

Each page also identifies all contact options for a given connector. The first two digits designate the type of contacts and terminations; the third digit designates the plating option.

Hardware:

The hardware designator is four digits; two for style of hardware and two for polarization or wiring instruction. Follow the choices for each connector.

Special Instructions (Options):

Special instructions are referenced by a three digit number added to the end of the part number. The last three digits are included only when applicable. AirBorn, Inc. will provide individual code numbers as needed.

Note:

Each page is as comprehensive as possible. However, if you do not find a particular connector size or option, please contact the factory for further assistance.

☒ Symbolizes options that are not RoHS compliant.

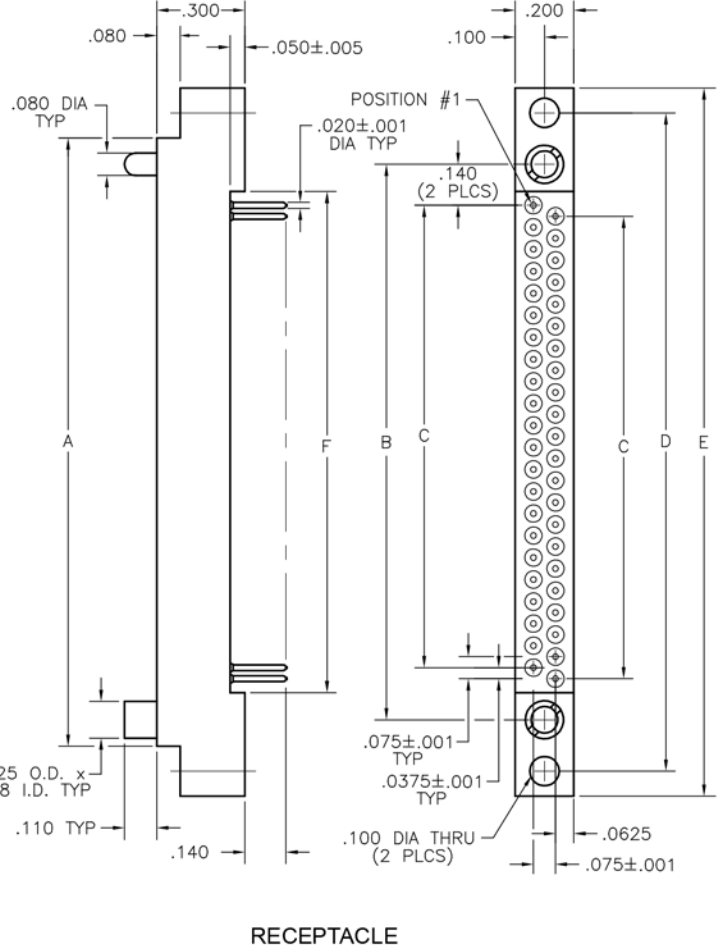
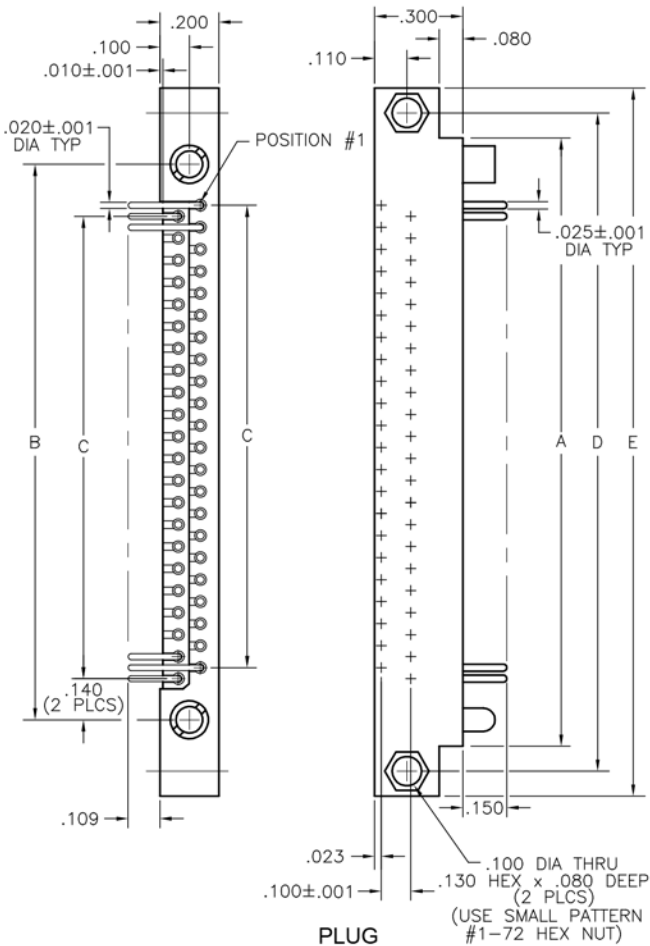
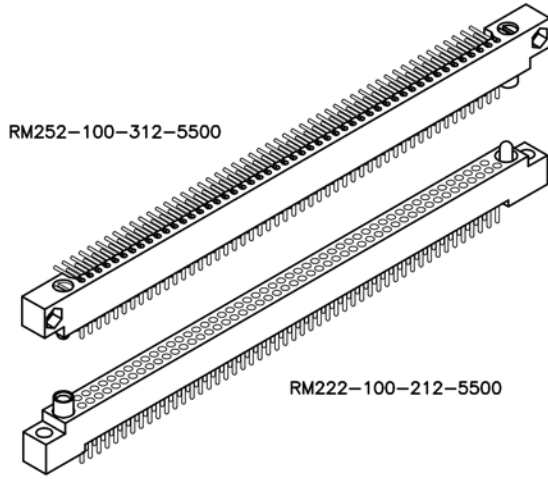


2 · ROW Daughterboard to Motherboard or Chassis

.075"

RM2

10 thru 100 Contacts



DIMENSIONS						
SIZE	A	B	C	D	E	F
10	.797	.617	.300	.967	1.137	.420
20	1.172	.992	.675	1.342	1.512	.795
30	1.547	1.367	1.050	1.717	1.887	1.170
40	1.922	1.742	1.425	2.092	2.262	1.545
50	2.297	2.117	1.800	2.467	2.637	1.920
60	2.672	2.492	2.175	2.842	3.012	2.295
70	3.047	2.867	2.550	3.217	3.387	2.670
80	3.422	3.242	2.925	3.592	3.762	3.045
90	3.797	3.617	3.300	3.967	4.137	3.420
100	4.172	3.992	3.675	4.342	4.512	3.795



PLUG: RM252-100-312-5500
 RECEPTACLE: RM222-100-212-5500
 XXXXX-XXX-XXX-XXXXXX

PLUG

RECEPTACLE

SERIES	
RM .075" Screw Machine PC Connector	RM .075" Screw Machine PC Connector

BODY	
2 2-Row	2 2-Row
BODY STYLE:	BODY STYLE:
5 Plug, right angle, with mounting ears	2 Receptacle, straight with mounting ears
7 Plug, right angle, without mounting ears	4 Receptacle, straight without mounting ears
BODY MATERIAL:	BODY MATERIAL:
2 Polyphenylene sulfide (PPS)	2 Polyphenylene sulfide (PPS)

SIZE	
010, 020, 030, 040, 050, 060, 070, 080, 090, 100	010, 020, 030, 040, 050, 060, 070, 080, 090, 100

CONTACTS	
TYPE CONTACTS/TERMINATIONS:	TYPE CONTACTS/TERMINATIONS:
31 Pin, right angle, dip solder, .109" x .020" dia	20 Socket, straight, dip solder, .109" x .020 dia
32 Pin, right angle, dip solder, .140" x .020" dia	21 Socket, straight, dip solder, .140" x .020 dia
33 Pin, right angle, dip solder, .172" x .020" dia	22 Socket, straight, dip solder, .172" x .020 dia
34 Pin, right angle, dip solder, .109" x .016" dia	23 Socket, straight, dip solder, .250" x .020 dia
35 Pin, right angle, dip solder, .140" x .016" dia	24 Socket, straight, solder cup
36 Pin, right angle, dip solder, .172" x .016" dia	25 Socket, straight, flex circuit, .093" x .017 dia
37 Pin, right angle, dip solder, .250" x .020" dia	26 Socket, straight, wire wrap®, .500" x .018 square
	27 Socket, straight, wire wrap®, .375" x .018 square
	28 Socket, straight, wire wrap®, .625" x .018 square
	29 Socket, connector saver, .150" x .025" dia
	50 Socket, straight, dip solder, .140" x .016" dia
	51 Socket, straight, dip solder, .172" x .016" dia
	53 Socket, straight, stackable, .212" x .025" dia
	54 Socket, straight, stackable, .244" x .025" dia
	55 Socket, straight, stackable, .275" x .025" dia
	64 Socket, straight, press fit, .203" (Board .093"-.125" thk)
	65 Socket, straight, press fit, .323" (Board .156"-.200" thk)
	66 Socket, straight, press fit, .403" (Board .250"+ thk)

PLATING OPTIONS:	PLATING OPTIONS:
1 Gold plated termination	1 Gold plated termination
2 Pre-tinned termination, SnPb alloy <input checked="" type="checkbox"/>	2 Pre-tinned termination, SnPb alloy (dip solder options only) <input checked="" type="checkbox"/>
3 Pre-tinned termination, SAC305 alloy	3 Pre-tinned termination, SAC305 alloy (dip solder options only)

HARDWARE	
STYLE OF HARDWARE: (See R-41 & R-42 for all options)	STYLE OF HARDWARE: (See R-41 & R-42 for all options)
0256 None	0256 None
55 Guide set	55 Guide set
57 Two guide pins	57 Two guide pins
58 Two guide sockets	58 Two guide sockets
29 Fixed jackset	29 Fixed jackset
30 Fixed jackset, reversed	30 Fixed jackset, reversed
19 Two fixed jackscrews	19 Two fixed jackscrews
20 Two fixed jacksockets	20 Two fixed jacksockets
59 Hex turning jackset, .200"	59 Hex turning jackset, .200"
60 Hex turning jackset, reversed, .200"	60 Hex turning jackset, reversed, .200"
61 Two hex turning jackscrews, .200"	61 Two hex turning jackscrews, .200"
62 Two hex turning jacksockets, .200"	62 Two hex turning jacksockets, .200"
64 Turning jackset, .490"	64 Turning jackset, .490"
65 Turning jackset, reversed, .490"	65 Turning jackset, reversed, .490"
66 Two turning jackscrews, .490"	66 Two turning jackscrews, .490"
67 Two turning jacksockets, .490"	67 Two turning jacksockets, .490"

POLARIZATION:	POLARIZATION
00 None	00 None
01 thru 68 are special identifiers, see R-38	01 thru 68 are special identifiers, see R-38
70 Same configuration as 01 without Loctite® (To be keyed by customer)	70 Same configuration as 01 without Loctite® (To be keyed by customer)

OPTIONS	
BN Bond #1-72 small pattern hex nuts into mounting ears	

= Option not RoHS compliant

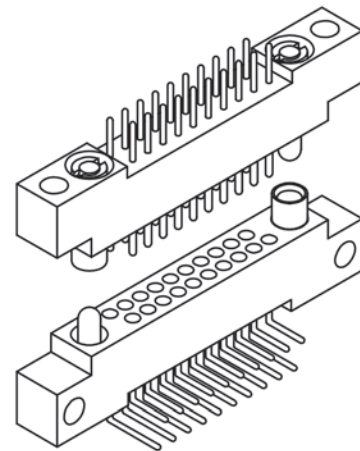


2 · ROW Motherboard or Chassis to Daughterboard

.075"

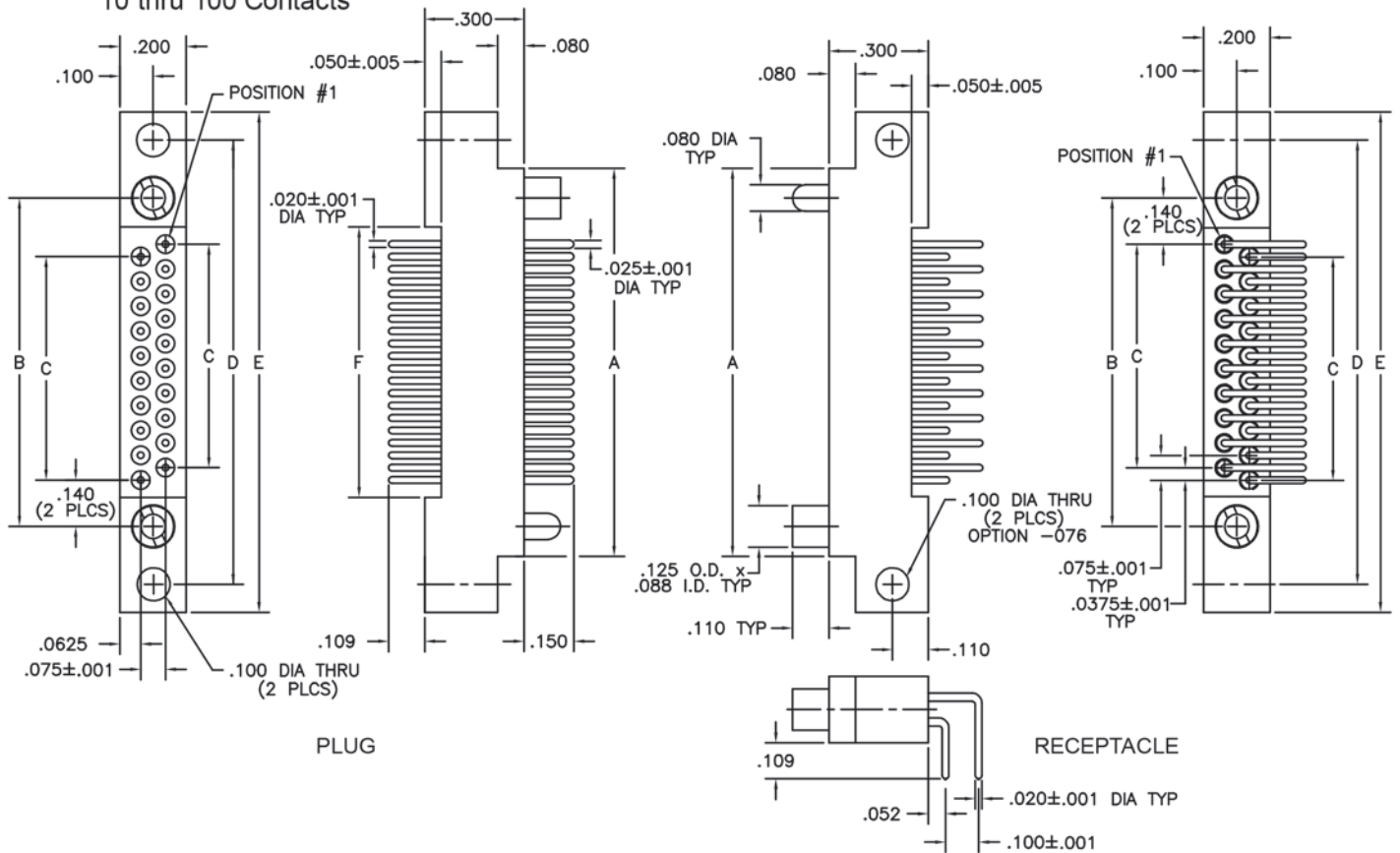
RM2

10 thru 100 Contacts



RM212-020-102-5500

RM262-020-442-5500-076



DIMENSIONS						
SIZE	A	B	C	D	E	F
10	.797	.617	.300	.967	1.137	.442
20	1.172	.992	.675	1.342	1.512	.817
30	1.547	1.367	1.050	1.717	1.887	1.192
40	1.922	1.742	1.425	2.092	2.262	1.567
50	2.297	2.117	1.800	2.467	2.637	1.942
60	2.672	2.492	2.175	2.842	3.012	2.317
70	3.047	2.867	2.550	3.217	3.387	2.692
80	3.422	3.242	2.925	3.592	3.762	3.067
90	3.797	3.617	3.300	3.967	4.137	3.442
100	4.172	3.992	3.675	4.342	4.512	3.817



PLUG: RM212-020-102-5500

RECEPTACLE: RM262-020-442-5500-076

XXXXX-XXX-XXX-XXXX-XXX

PLUG

RECEPTACLE

SERIES	
RM .075" Screw Machine PC Connector	RM .075" Screw Machine PC Connector

BODY	
2 2-Row	2 2-Row
BODY STYLE:	BODY STYLE:
1 Plug, straight, with mounting ears	6 Receptacle, right angle, with mounting ears
3 Plug, straight, without mounting ears	8 Receptacle, right angle, without mounting ears
BODY MATERIAL:	BODY MATERIAL:
2 Polyphenylene sulfide (PPS)	2 Polyphenylene sulfide (PPS)

SIZE	
010, 020, 030, 040, 050, 060, 070, 080, 090, 100	010, 020, 030, 040, 050, 060, 070, 080, 090, 100

CONTACTS	
TYPE CONTACTS/TERMINATIONS:	TYPE CONTACTS/TERMINATIONS:
10 Pin, straight, dip solder, .109" x .020" dia	44 Socket, right angle, dip solder, .109" x .020" dia
11 Pin, straight, solder cup	45 Socket, right angle, dip solder, .140" x .020" dia
12 Pin, straight, dip solder, .140" x .020" dia	46 Socket, right angle, dip solder, .172" x .020" dia
13 Pin, straight, dip solder, .172" x .020" dia	47 Socket, right angle, dip solder, .250" x .020" dia
14 Pin, straight, dip solder, .250" x .020" dia	
15 Pin, straight, flex, .093" x .017" dia	

PLATING OPTIONS:	PLATING OPTIONS:
1 Gold plated termination	1 Gold plated termination
2 Pre-tinned termination, SnPb alloy (dip solder options only) <input checked="" type="checkbox"/>	2 Pre-tinned termination, SnPb alloy <input checked="" type="checkbox"/>
3 Pre-tinned termination, SAC305 alloy (dip solder options only)	3 Pre-tinned termination, SAC305 alloy

HARDWARE	
STYLE OF HARDWARE: (See R-41 & R-42 for all options)	STYLE OF HARDWARE: (See R-41 & R-42 for all options)
0256 None	0256 None
55 Guide set	55 Guide set
57 Two guide pins	57 Two guide pins
58 Two guide sockets	58 Two guide sockets
29 Fixed jackset	29 Fixed jackset
30 Fixed jackset, reversed	30 Fixed jackset, reversed
19 Two fixed jackscrews	19 Two fixed jackscrews
20 Two fixed jacksockets	20 Two fixed jacksockets
59 Hex turning jackset, .200"	59 Hex turning jackset, .200"
60 Hex turning jackset, reversed, .200"	60 Hex turning jackset, reversed, .200"
61 Two hex turning jackscrews, .200"	61 Two hex turning jackscrews, .200"
62 Two hex turning jacksockets, .200"	62 Two hex turning jacksockets, .200"
64 Turning jackset, .490"	64 Turning jackset, .490"
65 Turning jackset, reversed, .490"	65 Turning jackset, reversed, .490"
66 Two turning jackscrews, .490"	66 Two turning jackscrews, .490"
67 Two turning jacksockets, .490"	67 Two turning jacksockets, .490"
POLARIZATION:	POLARIZATION
00 None	00 None
01 thru 68 are special identifiers, see R-38	01 thru 68 are special identifiers, see R-38
70 Same configuration as 01 without Loctite® (To be keyed by customer)	70 Same configuration as 01 without Loctite® (To be keyed by customer)

OPTIONS	
	076 PWB mounting holes, .100" dia (cross drilled)

= Option not RoHS compliant



2 · ROW Board to Crimp Removable

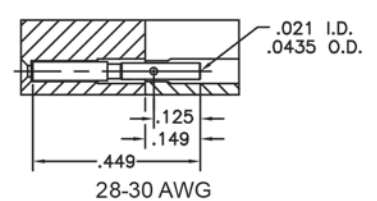
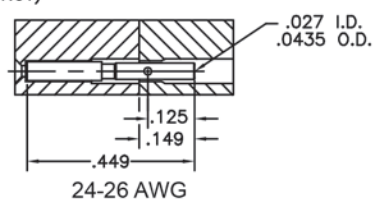
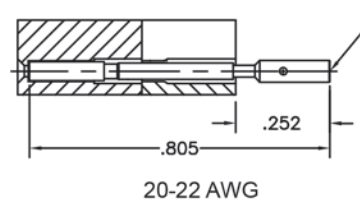
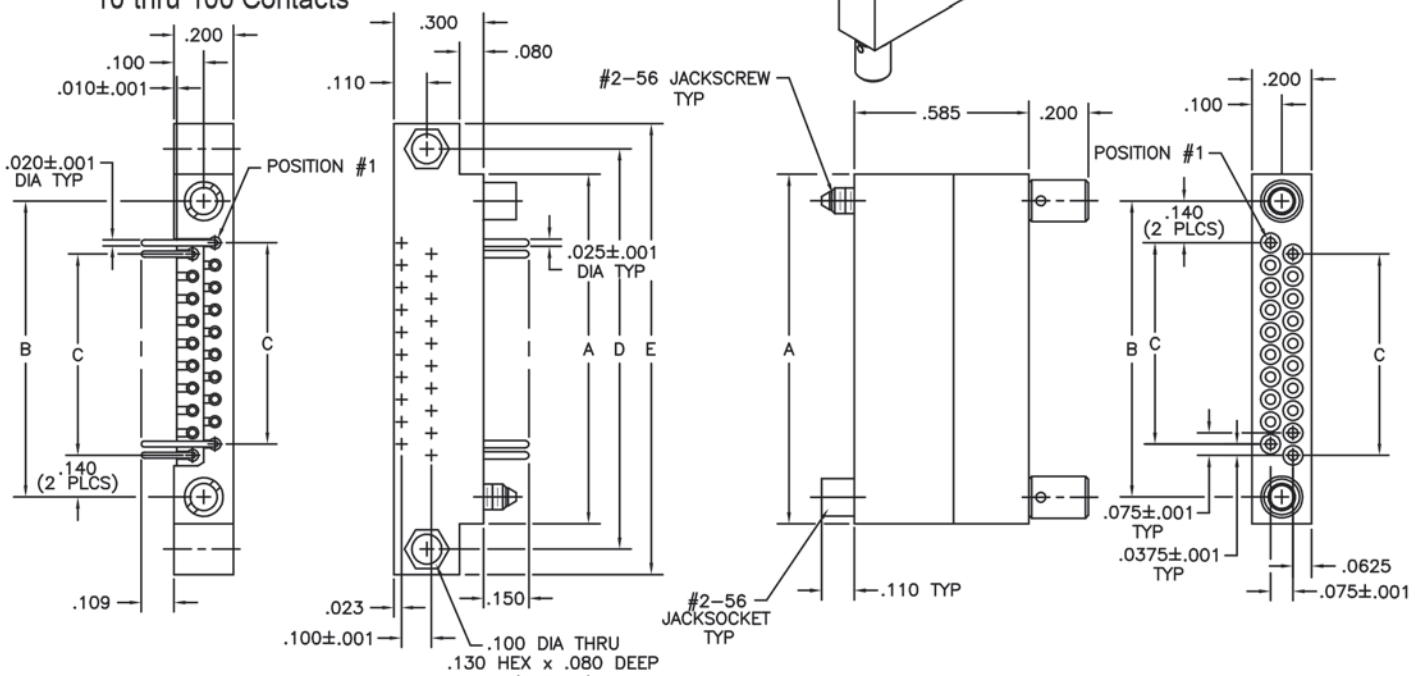
.075"

RM2

10 thru 100 Contacts

RM252-020-311-2900

RM242-020-581-5900



NOTE:
When using crimp contacts with 20 gage barrel, barrel must be cut off prior to removing contact from connector body.

CRIMP REMOVABLE CONTACTS	
SIZE	PART NUMBER
20-22 AWG	RM200-000-571-0000
24-26 AWG	RM200-000-581-0000
28-30 AWG	RM200-000-591-0000

DIMENSIONS					
SIZE	A	B	C	D	E
10	.797	.617	.300	.967	1.137
20	1.172	.992	.675	1.342	1.512
30	1.547	1.367	1.050	1.717	1.887
40	1.922	1.742	1.425	2.092	2.262
50	2.297	2.117	1.800	2.467	2.637
60	2.672	2.492	2.175	2.842	3.012
70	3.047	2.867	2.550	3.217	3.387
80	3.422	3.242	2.925	3.592	3.762
90	3.797	3.617	3.300	3.967	4.137
100	4.172	3.992	3.675	4.342	4.512



PLUG: RM252-020-311-2900
 RECEPTACLE: RM242-020-581-5900
 XXXXX-XXX-XXX-XXXXXX

PLUG

RECEPTACLE

SERIES

RM .075" Screw Machine PC Connector | RM .075" Screw Machine PC Connector

BODY

2 2-Row | 2 2-Row

BODY STYLE:

5 Plug, right angle, with mounting ears | 2 Receptacle, straight, with mounting ears
 7 Plug, right angle, without mounting ears | 4 Receptacle, straight, without mounting ears

BODY MATERIAL:

2 Polyphenylene sulfide (PPS) | 2 Polyphenylene sulfide (PPS)

SIZE

010, 020, 030, 040, 050, 060, 070, 080, 090, 100 | 010, 020, 030, 040, 050, 060, 070, 080, 090, 100

CONTACTS

<p>TYPE CONTACTS/TERMINATIONS:</p> <p>31 Pin, right angle, dip solder, .109" x .020" dia 32 Pin, right angle, dip solder, .140" x .020" dia 33 Pin, right angle, dip solder, .172" x .020" dia 34 Pin, right angle, dip solder, .109" x .016" dia 35 Pin, right angle, dip solder, .140" x .016" dia 36 Pin, right angle, dip solder, .172" x .016" dia 37 Pin, right angle, dip solder, .250" x .020" dia</p>	<p>TYPE CONTACTS/TERMINATIONS:</p> <p>00 Contacts not supplied 57 Socket, straight, crimp removable (20-22 AWG)* 58 Socket, straight, crimp removable (24-26 AWG)* 59 Socket, straight, crimp removable (28-30 AWG)*</p>
---	--

PLATING OPTIONS:

1 Gold plated termination	0 No plating (use with Contact Option "00" only)
2 Pre-tinned termination, SnPb alloy <input checked="" type="checkbox"/>	1 Gold plated termination
3 Pre-tinned termination, SAC305 alloy	

HARDWARE

<p>STYLE OF HARDWARE: (See R-41 & R-42 for all options)</p> <p>0256 None 55 Guide set 57 Two guide pins 58 Two guide sockets 29 Fixed jackset 30 Fixed jackset, reversed 19 Two fixed jackscrews 20 Two fixed jacksockets 59 Hex turning jackset, .200" knob 60 Hex turning jackset, reversed, .200" knob 61 Two hex turning jackscrews, .200" knob 62 Two hex turning jacksockets, .200" knob 64 Turning jackset, .490" knob 65 Turning jackset, reversed, .490" knob 66 Two turning jackscrews, .490" knob 67 Two turning jacksockets, .490" knob</p>	<p>STYLE OF HARDWARE: (See R-41 & R-42 for all options)</p> <p>0256 None 55 Guide set 57 Two guide pins 58 Two guide sockets 29 Fixed jackset 30 Fixed jackset, reversed 19 Two fixed jackscrews 20 Two fixed jacksockets 59 Hex turning jackset, .200" knob 60 Hex turning jackset, reversed, .200" knob 61 Two hex turning jackscrews, .200" knob 62 Two hex turning jacksockets, .200" knob 64 Turning jackset, .490" knob 65 Turning jackset, reversed, .490" knob 66 Two turning jackscrews, .490" knob 67 Two turning jacksockets, .490" knob</p>
---	---

POLARIZATION:

00 None	00 None
01 thru 68 are special identifiers, see R-38	01 thru 68 are special identifiers, see R-38
70 Same configuration as 01 without Loctite® (To be keyed by customer)	70 Same configuration as 01 without Loctite® (To be keyed by customer)

OPTIONS

BN Bond #1-72, sm. pattern hex nuts into mtg. ears |

- * Full compliment of crimp removable sockets packaged with connectors
1. Crimp tool - AirBorn part number: CDG4601, Mil Spec number M22520/2-01
 2. Crimp positioner - AirBorn part number: CDG4602 (24-26 AWG and 28-30 AWG); CDG4603 (20-22 AWG)
 3. Crimp removal tool - AirBorn part number: CDG8161 (All AWGs)
 4. Crimp contact part number on previous page.

= Option not RoHS compliant



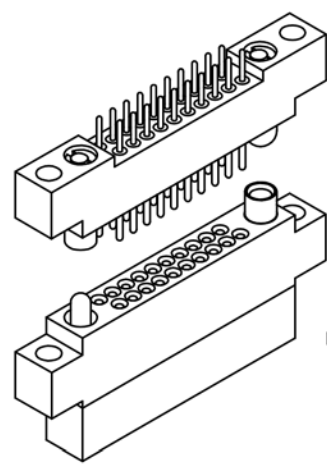
2 · ROW

Cable or Board to Crimp Removable

.075"

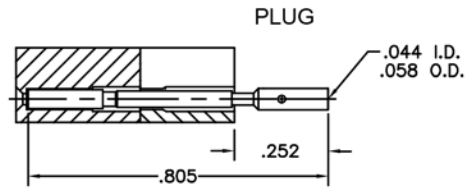
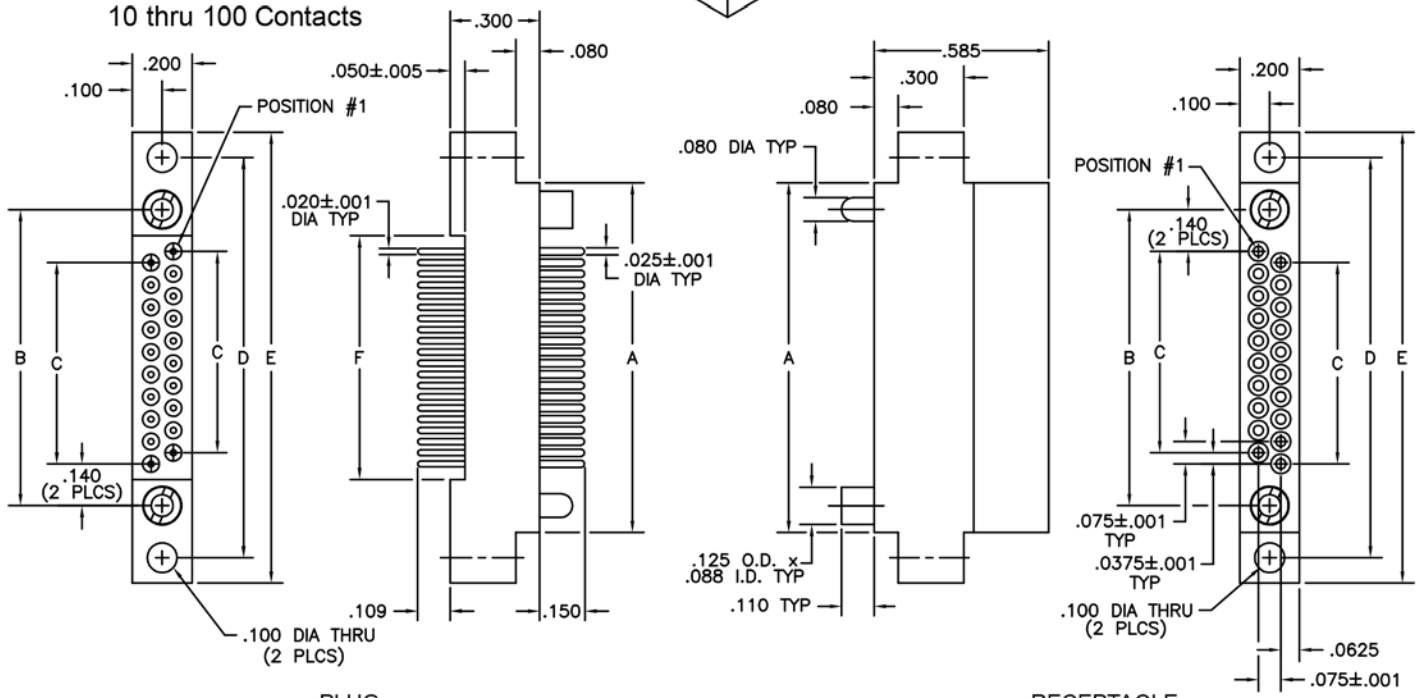
RM2

10 thru 100 Contacts

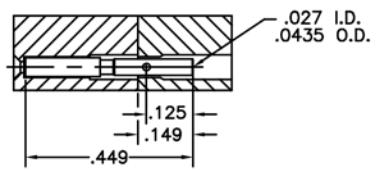


RM212-020-101-5500

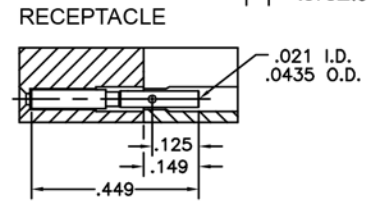
RM222-020-581-5500



20-22 AWG



24-26 AWG



28-30 AWG

NOTE:
 When using crimp contacts with 20 gage barrel, barrel must be cut off prior to removing contact from connector body.

CRIMP REMOVABLE CONTACTS	
SIZE	PART NUMBER
20-22 AWG	RM200-000-571-0000
24-26 AWG	RM200-000-581-0000
28-30 AWG	RM200-000-591-0000

DIMENSIONS						
SIZE	A	B	C	D	E	F
10	.797	.617	.300	.967	1.137	.442
20	1.172	.992	.675	1.342	1.512	.817
30	1.547	1.367	1.050	1.717	1.887	1.192
40	1.922	1.742	1.425	2.092	2.262	1.567
50	2.297	2.117	1.800	2.467	2.637	1.942
60	2.672	2.492	2.175	2.842	3.012	2.317
70	3.047	2.867	2.550	3.217	3.387	2.692
80	3.422	3.242	2.925	3.592	3.762	3.067
90	3.797	3.617	3.300	3.967	4.137	3.442
100	4.172	3.992	3.675	4.342	4.512	3.817

PLUG: RM212-020-101-5500
 RECEPTACLE: RM222-020-581-5500
 XXXXX-XXX-XXX-XXXX

PLUG

RECEPTACLE

SERIES	
RM .075" Screw Machine PC Connector	RM .075" Screw Machine PC Connector

BODY	
2 2-Row	2 2-Row

BODY STYLE:	
1 Plug, straight, with mounting ears	2 Receptacle, straight, with mounting ears
3 Plug, straight, without mounting ears	4 Receptacle, straight, without mounting ears

BODY MATERIAL:	
2 Polyphenylene sulfide (PPS)	2 Polyphenylene sulfide (PPS)

SIZE	
010, 020, 030, 040, 050, 060, 070, 080, 090, 100	010, 020, 030, 040, 050, 060, 070, 080, 090, 100

CONTACTS

TYPE CONTACTS/TERMINATIONS:	
10 Pin, straight, dip solder, .109" x .020" dia	00 Contacts not supplied
11 Pin, straight, solder cup	57 Socket, straight, crimp removable (20-22 AWG)*
12 Pin, straight, dip solder, .140" x .020" dia	58 Socket, straight, crimp removable (24-26 AWG)*
13 Pin, straight, dip solder, .172" x .020" dia	59 Socket, straight, crimp removable (28-30 AWG)*
14 Pin, straight, dip solder, .250" x .020" dia	
15 Pin, straight, flex, .093" x .017" dia	

PLATING OPTIONS:	
1 Gold plated termination	0 No plating (use with Contact Option "00" only)
2 Pre-tinned termination, SnPb alloy (dip solder options only) <input checked="" type="checkbox"/>	1 Gold plated termination
3 Pre-tinned termination, SAC305 alloy (dip solder options only)	

HARDWARE

STYLE OF HARDWARE: (See R-41 & R-42 for all options)	
0256 None	0256 None
55 Guide set	55 Guide set
57 Two guide pins	57 Two guide pins
58 Two guide sockets	58 Two guide sockets
29 Fixed jackset	29 Fixed jackset
30 Fixed jackset, reversed	30 Fixed jackset, reversed
19 Two fixed jackscrews	19 Two fixed jackscrews
20 Two fixed jacksockets	20 Two fixed jacksockets
59 Hex turning jackset, .200"	59 Hex turning jackset, .200"
60 Hex turning jackset, reversed, .200"	60 Hex turning jackset, reversed, .200"
61 Two hex turning jackscrews, .200"	61 Two hex turning jackscrews, .200"
62 Two hex turning jacksockets, .200"	62 Two hex turning jacksockets, .200"
64 Turning jackset, .490"	64 Turning jackset, .490"
65 Turning jackset, reversed, .490"	65 Turning jackset, reversed, .490"
66 Two turning jackscrews, .490"	66 Two turning jackscrews, .490"
67 Two turning jacksockets, .490"	67 Two turning jacksockets, .490"

POLARIZATION:	
00 None	00 None
01 thru 68 are special identifiers, see R-38	01 thru 68 are special identifiers, see R-38
70 Same configuration as 01 without Loctite® (To be keyed by customer)	70 Same configuration as 01 without Loctite® (To be keyed by customer)

- * Full compliment of crimp removable sockets packaged with connectors
1. Crimp tool - AirBorn part number: CDG4601, Mil Spec number M22520/2-01
 2. Crimp positioner - AirBorn part number: CDG4602 (24-26 AWG and 28-30 AWG)
CDG4603 (20-22 AWG)
 3. Crimp removal tool - AirBorn part number: CDG8161 (All AWGs)
 4. Crimp contact part number on previous page.
- = Option not RoHS compliant

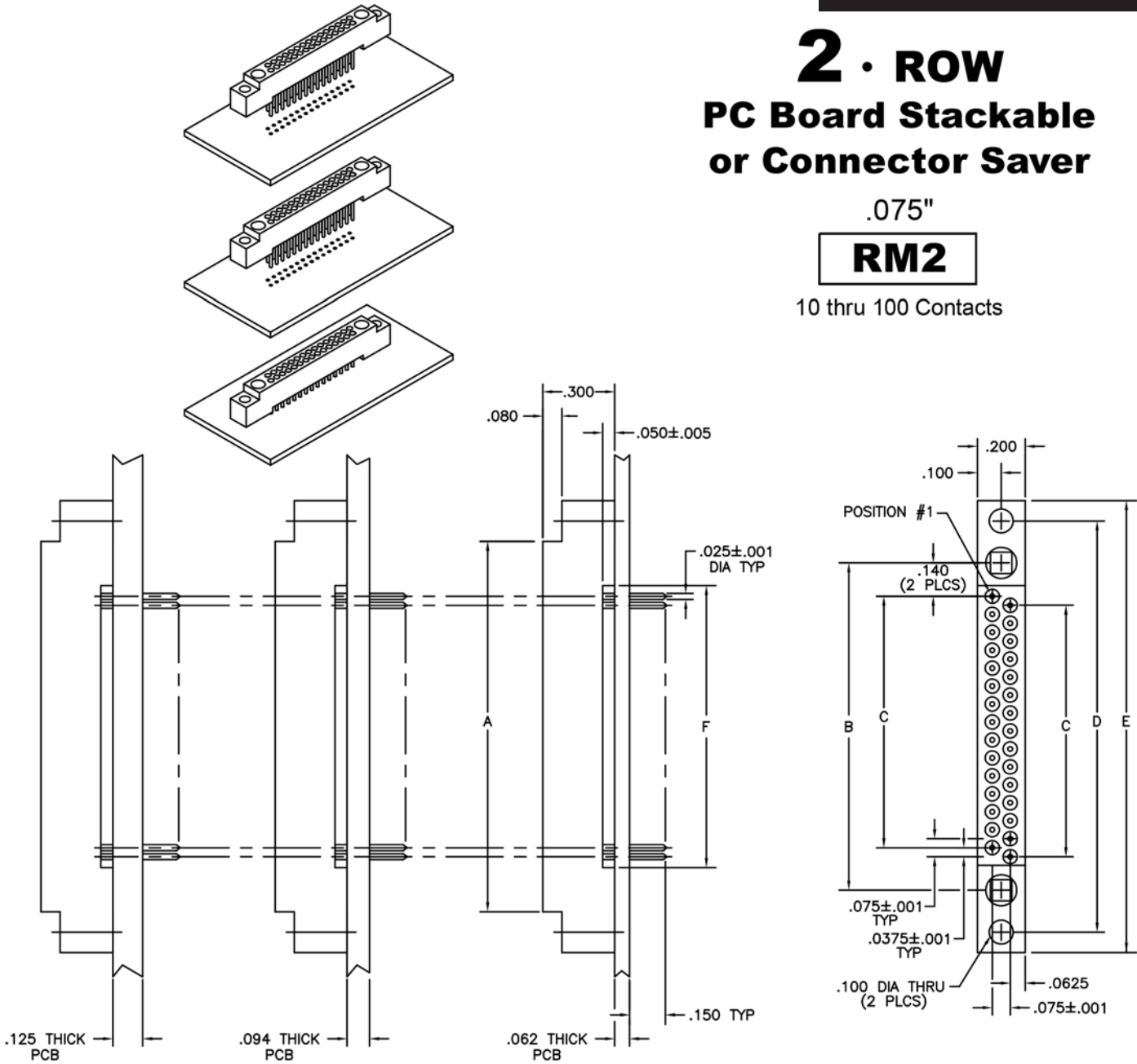


2 · ROW PC Board Stackable or Connector Saver

.075"

RM2

10 thru 100 Contacts



NOTE:
Stacking connectors cannot have mating hardware.
(-0256 indicates no hardware)

PC BOARD THICKNESS	TERMINATION LENGTH	PART NUMBER EXAMPLES
.062	.212	RM222-030-531-0256
.094	.244	RM222-030-541-0256
.125	.275	RM222-030-551-0256
CONNECTOR SAVER	.150	RM222-030-291-0256

DIMENSIONS						
SIZE	A	B	C	D	E	F
10	.797	.617	.300	.967	1.137	.442
20	1.172	.992	.675	1.342	1.512	.817
30	1.547	1.367	1.050	1.717	1.887	1.192
40	1.922	1.742	1.425	2.092	2.262	1.567
50	2.297	2.117	1.800	2.467	2.637	1.942
60	2.672	2.492	2.175	2.842	3.012	2.317
70	3.047	2.867	2.550	3.217	3.387	2.692
80	3.422	3.242	2.925	3.592	3.762	3.067
90	3.797	3.617	3.300	3.967	4.137	3.442
100	4.172	3.992	3.675	4.342	4.512	3.817

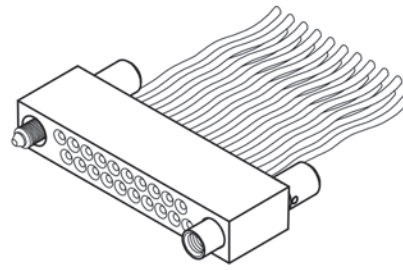


2 · ROW Crimped Wire I/O Receptacle

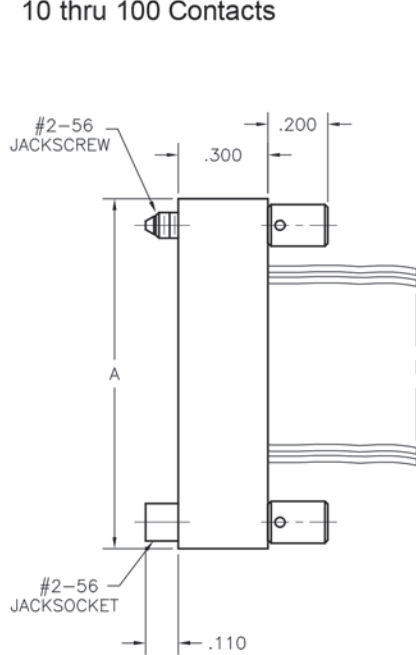
.075"

RA2

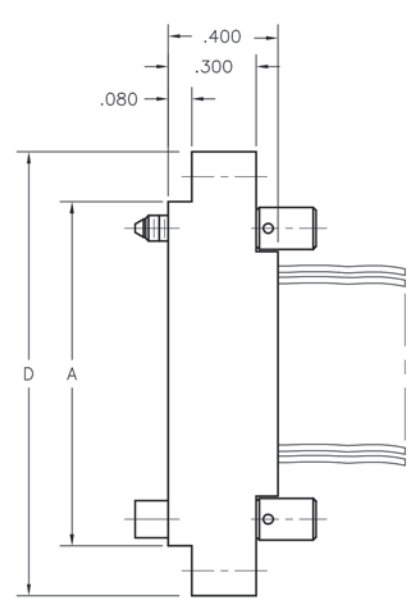
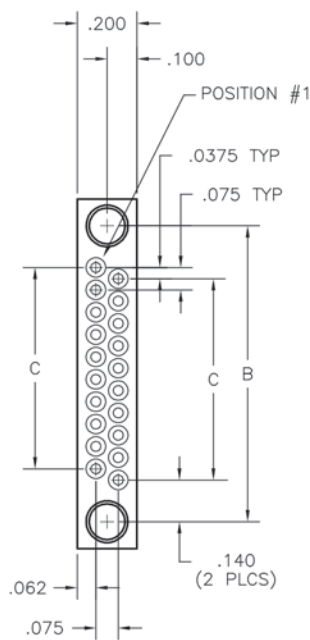
10 thru 100 Contacts



RA2H2-020-2HC-5900



RECEPTACLE WITHOUT
MOUNTING EARS OR
POTTING WELL



RECEPTACLE WITH
MOUNTING EARS AND
POTTING WELL

DIMENSIONS				
SIZE	A	B	C	D
10	.797	.617	.300	1.137
20	1.172	.992	.675	1.512
30	1.547	1.367	1.050	1.887
40	1.922	1.742	1.425	2.262
50	2.297	2.117	1.800	2.637
60	2.672	2.492	2.175	3.012
70	3.047	2.867	2.550	3.387
80	3.422	3.242	2.925	3.762
90	3.797	3.617	3.300	4.137
100	4.172	3.992	3.675	4.512

RA2 RECEPTACLE CONNECTORS MATE WITH:		
MATE	DESCRIPTION	PAGE
RM212	2 ROW STRAIGHT PLUG WITH EARS	R-11
RM232	2 ROW STRAIGHT PLUG WITHOUT EARS	R-11
RM252	2 ROW RIGHT ANGLE PLUG WITH EARS	R-13
RM272	2 ROW RIGHT ANGLE PLUG WITHOUT EARS	R-13

REPLACEMENT CONTACTS:

RA000-001-200-0000
RA000-001-400-0000

SEE PAGE R-33.4 FOR CRIMP INSTRUCTIONS, CONTACT INSERTION AND CONTACT REMOVAL TOOLS.

RECEPTACLE: RA2H2-020-2HC-5900
XXXXX-XXX-XXX-XXXX

SERIES	
RA .075" Screw Machine PC Connector	
BODY	
2	2-Row
BODY STYLE:	
E	Receptacle, straight, w/ potting well, w/ mounting ears
F	Receptacle, straight, w/ potting well, w/out mounting ears
G	Receptacle, straight, w/out potting well, w/ mounting ears
H	Receptacle, straight, w/out potting well, w/out mounting ears
BODY MATERIAL:	
2	Polyphenylene sulfide (PPS)
SIZE	
010, 020, 030, 040, 050, 060, 070, 080, 090, 100	
CONTACTS	
TYPE CONTACTS/TERMINATIONS:	
2	Socket, crimp, 28-30 awg. contacts
4	Socket, crimp, 22-26 awg. contacts
WIRING OPTIONS:	
XX	Crimped terminations, see wiring codes at right
HARDWARE	
GUIDE HARDWARE	
0256	None
5500	Guide set
5501-5568	Guide set, polarized (see page R-38)
5570	Guide set, polarized, same as 5501 without Loctite® (to be keyed by customer)
5700	Two guide pins
5800	Two guide sockets
JACKING HARDWARE	
2900	Fixed jackset
3000	Fixed jackset, reversed
1900	Two fixed jackscrews
2000	Two fixed jacksockets
5900	Hex turning jackset, .200" knob
6000	Hex turning jackset, reversed, .200" knob
6100	Two hex turning jackscrews, .200" knob
6200	Two hex turning jacksockets, .200" knob
6400	Turning jackset, .490" knob
6500	Turning jackset, reversed, .490" knob
6600	Two turning jackscrews, .490" knob
6700	Two turning jacksockets, .490" knob

☒ = Option not RoHS compliant

If potting well is used with a pre-wired connector, it will be potted and not repairable.
If potting well is not used with a pre-wired connector, it will not be potted.
Contacts that are not potted in place can be removed and replaced only one time.
See page R-33.4 for crimp instructions, contact insertion and contact removal tools.

WIRE CODES

TYPE and COLOR			LENGTH	
Code	Size	Color	Code	Length (+1"/-0")
Mil-W-16878/4				
A	22 awg	Ten repeating	A	6"
B	22 awg	White	B	12"
C	24 awg	Ten repeating	C	18"
D	24 awg	White	D	24"
E	26 awg	Ten repeating	E	30"
F	26 awg	White	F	36"
G	28 awg	Ten repeating	G	42"
H	28 awg	White	H	48"
J	30 awg	Ten repeating	J	54"
K	30 awg	White	K	60"
Mil-W-22759/33				
L	22 awg	Ten repeating	L	66"
M	22 awg	White	M	72"
N	24 awg	Ten repeating	N	84"
P	24 awg	White	P	96"
R	26 awg	Ten repeating	R	108"
S	26 awg	White	S	120"
T	28 awg	Ten repeating		
U	28 awg	White		
V	30 awg	Ten repeating		
W	30 awg	White		

USING WIRE CODES:

RA2H2-020-2HC-5900

Type and Color  Length

Color sequence for Ten repeating wire colors:

(Beginning in position #1)

- Black
- Brown
- Red
- Orange
- Yellow
- Green
- Blue
- Violet
- Grey
- White

Repeat this sequence until connector is fully loaded.



2 · ROW

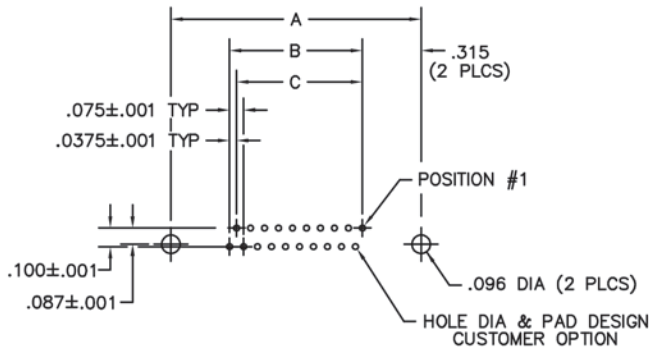
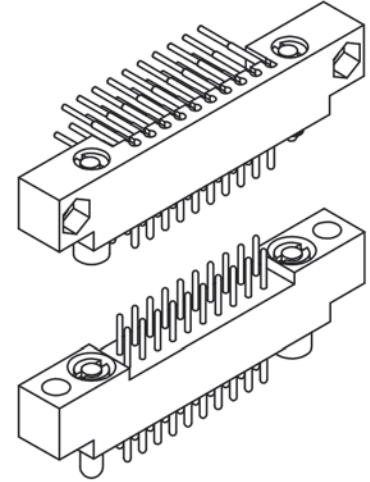
Right Angle PTH Plug Straight PTH Plug

.075"

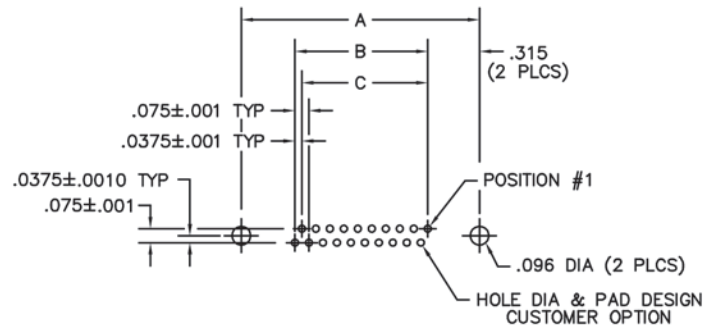
RM2

10 thru 100 Contacts
Recommended
Board Layout

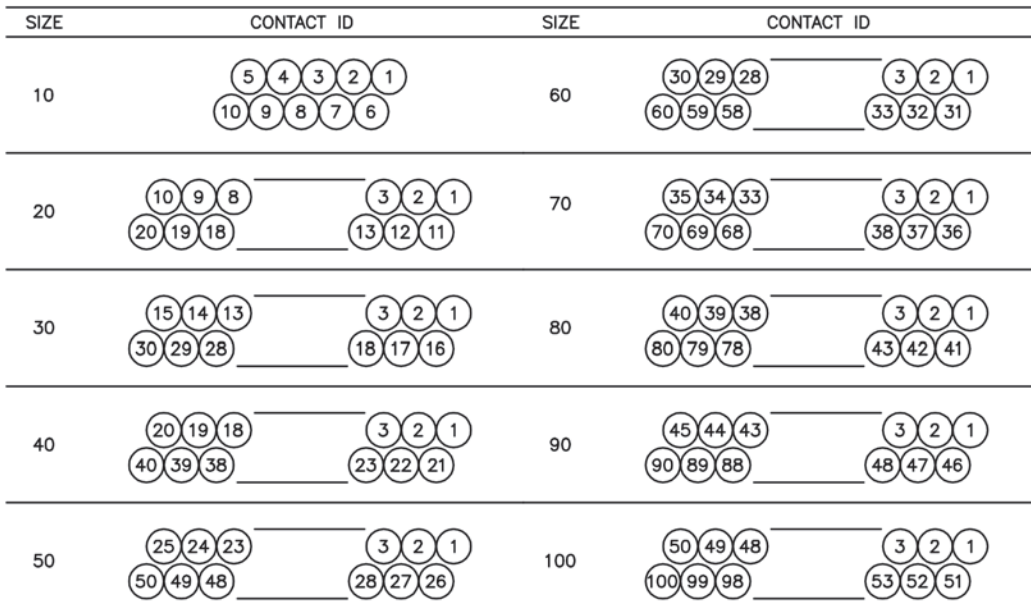
DIMENSIONS			
SIZE	A	B	C
10	.967	.337	.300
20	1.342	.712	.675
30	1.717	1.087	1.050
40	2.092	1.462	1.425
50	2.467	1.837	1.800
60	2.842	2.212	2.175
70	3.217	2.587	2.550
80	3.592	2.962	2.925
90	3.967	3.337	3.300
100	4.342	3.712	3.675



RIGHT ANGLE PTH PLUG
PC BOARD VIEWED FROM COMPONENT SIDE



STRAIGHT PTH PLUG
PC BOARD VIEWED FROM COMPONENT SIDE



2 · ROW

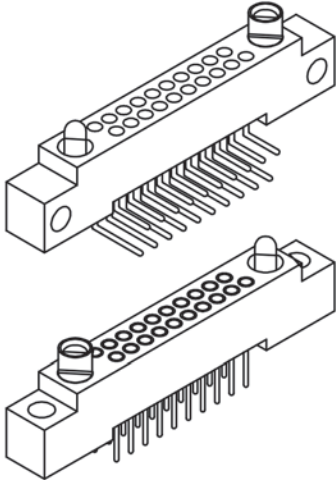
Straight PTH Rcpt

.075"

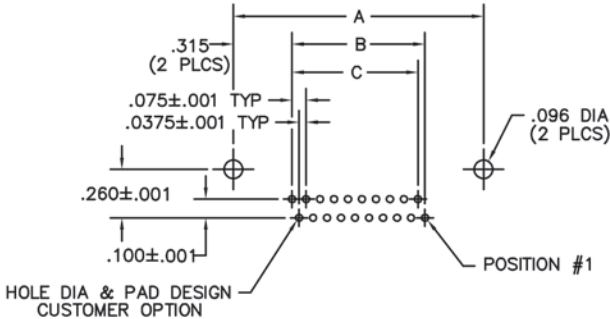
RM2

10 thru 100 Contacts

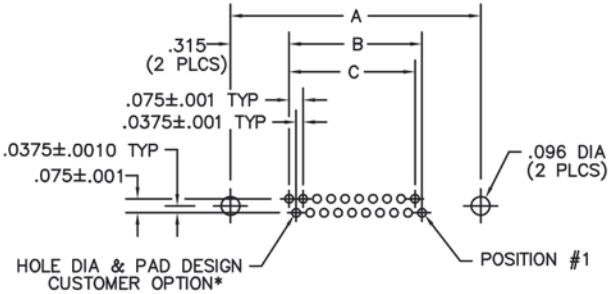
Recommended Board Layout



DIMENSIONS			
SIZE	A	B	C
10	.967	.337	.300
20	1.342	.712	.675
30	1.717	1.087	1.050
40	2.092	1.462	1.425
50	2.467	1.837	1.800
60	2.842	2.212	2.175
70	3.217	2.587	2.550
80	3.592	2.962	2.925
90	3.967	3.337	3.300
100	4.342	3.712	3.675



RIGHT ANGLE PTH RECEPTACLE
PC BOARD VIEWED FROM COMPONENT SIDE



STRAIGHT PTH RECEPTACLE
PC BOARD VIEWED FROM COMPONENT SIDE

*COMPLIANT TERMINATION PCB REQUIREMENTS:
Board Material: FR-4 w/ 1.0 oz. copper
Minimum nominal board thickness: .062"
Drilled hole: .0319"-.0339"
Copper plating thickness: .0010" minimum
Tin-lead plating thickness: .0006" maximum
Electroplated tin-lead composition: 63/37 (Sn/Pb)
Finished hole diameter: .028"±.002"

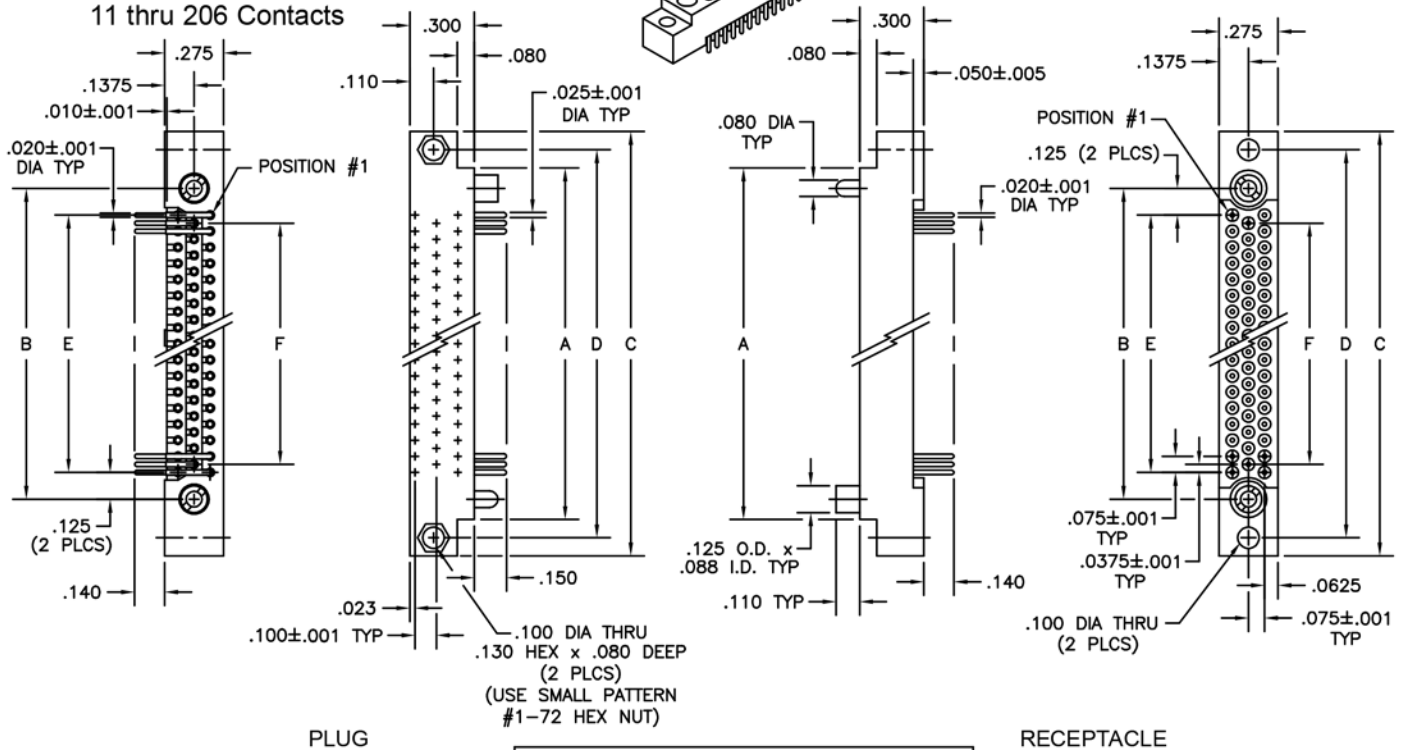
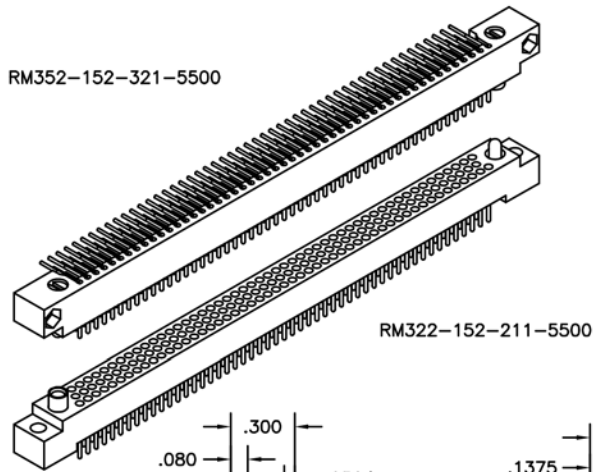
SIZE	CONTACT ID	SIZE	CONTACT ID
10		60	
20		70	
30		80	
40		90	
50		100	

3 · ROW Daughterboard to Motherboard or Chassis

.075"

RM3

11 thru 206 Contacts



PLUG

RECEPTACLE

DIMENSIONS						
SIZE	A	B	C	D	E	F
11	.665	.475	1.005	.835	.225	.150
23	.965	.775	1.305	1.135	.525	.450
35	1.265	1.075	1.605	1.435	.825	.750
47	1.565	1.375	1.905	1.735	1.125	1.050
59	1.865	1.675	2.205	2.035	1.425	1.350
71	2.165	1.975	2.505	2.335	1.725	1.650
80	2.390	2.200	2.730	2.560	1.950	1.875
92	2.690	2.500	3.030	2.860	2.250	2.175
104	2.990	2.800	3.330	3.160	2.550	2.475
122	3.440	3.250	3.780	3.610	3.000	2.925
140	3.890	3.700	4.230	4.060	3.450	3.375
152	4.190	4.000	4.530	4.360	3.750	3.675
182	4.940	4.750	5.280	5.110	4.500	4.425
206	5.540	5.350	5.880	5.710	5.100	5.025

PLUG: RM352-152-321-5500
 RECEPTACLE: RM322-152-211-5500
 XXXXX-XXX-XXX-XXXXXX

PLUG

RECEPTACLE

SERIES

RM .075" Screw Machine PC Connector | RM .075" Screw Machine PC Connector

BODY

3 3-Row | 3 3-Row

BODY STYLE:
 5 Plug, right angle, with mounting ears | 2 Receptacle, straight, with mounting ears
 7 Plug, right angle, without mounting ears | 4 Receptacle, straight, without mounting ears

BODY MATERIAL:
 2 Polyphenylene sulfide (PPS) | 2 Polyphenylene sulfide (PPS)

SIZE

011, 023, 035, 047, 059, 071, 080, 092, 104, 122, 140, 152, 182, 206 | 011, 023, 035, 047, 059, 071, 080, 092, 104, 122, 140, 152, 182, 206

CONTACTS

TYPE CONTACTS/TERMINATIONS:
 31 Pin, right angle, dip solder, .109" x .020" dia
 32 Pin, right angle, dip solder, .140" x .020" dia
 33 Pin, right angle, dip solder, .172" x .020" dia
 34 Pin, right angle, dip solder, .109" x .016" dia
 35 Pin, right angle, dip solder, .140" x .016" dia
 36 Pin, right angle, dip solder, .172" x .016" dia
 37 Pin, right angle, dip solder, .250" x .020" dia

TYPE CONTACTS/TERMINATIONS:
 20 Socket, straight, dip solder, .109" x .020" dia
 21 Socket, straight, dip solder, .140" x .020" dia
 22 Socket, straight, dip solder, .172" x .020" dia
 23 Socket, straight, dip solder, .250" x .020" dia
 24 Socket, straight, solder cup
 25 Socket, straight, flex circuit, 093" x .017" dia
 26 Socket, straight, wire wrap®, .500" x .018 sq
 27 Socket, straight, wire wrap®, .375" x .018 sq
 28 Socket, straight, wire wrap®, .625" x .018 sq
 29 Socket, connector saver, .150" x .025" dia
 50 Socket, straight, dip solder, .140" x .016" dia
 51 Socket, straight, dip solder, .172" x .016" dia
 53 Socket, straight, stacking, .212" x .025" dia
 54 Socket, straight, stacking, .244" x .025" dia
 55 Socket, straight, stacking, .275" x .025" dia
 64 Socket, straight, press-fit, .203" (Board .093"-.125" thk)
 65 Socket, straight, press-fit, .323" (Board .156"-.200" thk)
 66 Socket, straight, press-fit, .403" (Board .250"+ thk)

PLATING OPTIONS:
 1 Gold plated termination
 2 Pre-tinned termination, SnPb alloy
 3 Pre-tinned termination, SAC305 alloy

PLATING OPTIONS:
 1 Gold plated termination
 2 Pre-tinned termination, SnPb alloy (dip solder options only)
 3 Pre-tinned termination, SAC305 alloy (dip solder options only)

HARDWARE

STYLE OF HARDWARE:
 (See R-41 & R-42 for all options)
 0256 None
 55 Guide set
 57 Two guide pins
 58 Two guide sockets
 29 Fixed jackset
 30 Fixed jackset, reversed
 19 Two fixed jackscrews
 20 Two fixed jacksockets
 59 Hex turning jackset, .200"
 60 Hex turning jackset, reversed, .200"
 61 Two hex turning jackscrews, .200"
 62 Two hex turning jacksockets, .200"
 64 Turning jackset, .490"
 65 Turning jackset, reversed, .490"
 66 Two turning jackscrews, .490"
 67 Two turning jacksockets, .490"

STYLE OF HARDWARE:
 (See R-41 & R-42 for all options)
 0256 None
 55 Guide set
 57 Two guide pins
 58 Two guide sockets
 29 Fixed jackset
 30 Fixed jackset, reversed
 19 Two fixed jackscrews
 20 Two fixed jacksockets
 59 Hex turning jackset, .200"
 60 Hex turning jackset, reversed, .200"
 61 Two hex turning jackscrews, .200"
 62 Two hex turning jacksockets, .200"
 64 Turning jackset, .490"
 65 Turning jackset, reversed, .490"
 66 Two turning jackscrews, .490"
 67 Two turning jacksockets, .490"

POLARIZATION:
 00 None
 01 thru 68 are special identifiers, see R-38
 70 Same configuration as 01 without Loctite®
 (To be keyed by customer)

POLARIZATION:
 00 None
 01 thru 68 are special identifiers, see R-38
 70 Same configuration as 01 without Loctite®
 (To be keyed by customer)

OPTIONS

BN Bond #1-72, sm. pattern hex nuts into mtg. ears

= Option not RoHS compliant

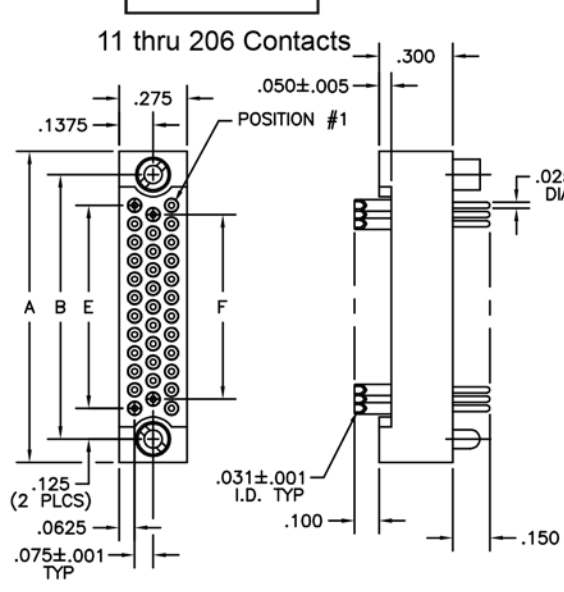


3 · ROW Motherboard or Chassis to Daughterboard

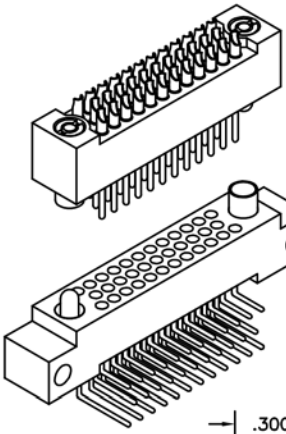
.075"

RM3

11 thru 206 Contacts

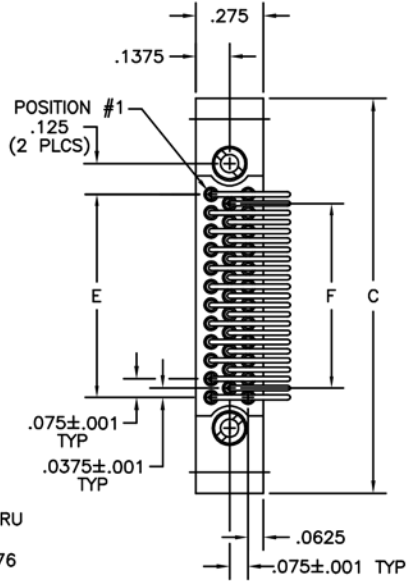
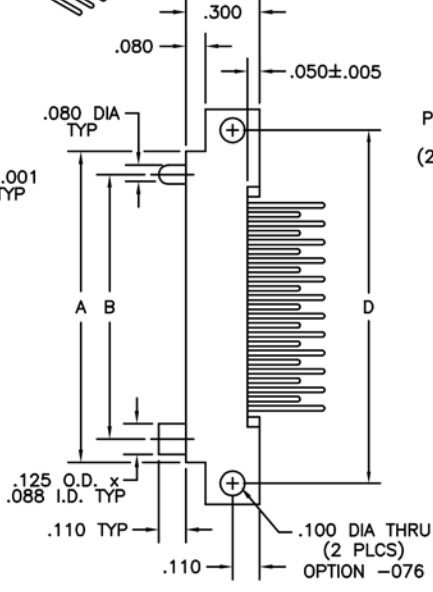


PLUG

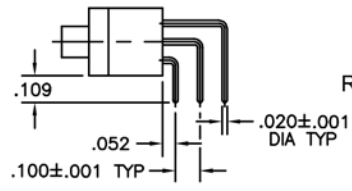


RM332-035-111-5500

RM362-035-441-5500-076



RECEPTACLE



DIMENSIONS						
SIZE	A	B	C	D	E	F
11	.665	.475	1.005	.835	.225	.150
23	.965	.775	1.305	1.135	.525	.450
35	1.265	1.075	1.605	1.435	.825	.750
47	1.565	1.375	1.905	1.735	1.125	1.050
59	1.865	1.675	2.205	2.035	1.425	1.350
71	2.165	1.975	2.505	2.335	1.725	1.650
80	2.390	2.200	2.730	2.560	1.950	1.875
92	2.690	2.500	3.030	2.860	2.250	2.175
104	2.990	2.800	3.330	3.160	2.550	2.475
122	3.440	3.250	3.780	3.610	3.000	2.925
140	3.890	3.700	4.230	4.060	3.450	3.375
152	4.190	4.000	4.530	4.360	3.750	3.675
182	4.940	4.750	5.280	5.110	4.500	4.425
206	5.540	5.350	5.880	5.710	5.100	5.025



PLUG: RM332-035-111-5500
 RECEPTACLE: RM362-035-441-5500-076
 XXXXX-XXX-XXX-XXXX-XXX

PLUG

RECEPTACLE

SERIES	
RM .075" Screw Machine PC Connector	RM .075" Screw Machine PC Connector

BODY	
3 3-Row	3 3-Row

BODY STYLE:	
1 Plug, straight, with mounting ears	6 Receptacle, right angle, with mounting ears
3 Plug, straight, without mounting ears	8 Receptacle, right angle, without mounting ears

BODY MATERIAL:	
2 Polyphenylene sulfide (PPS)	2 Polyphenylene sulfide (PPS)

SIZE	
011, 023, 035, 047, 059, 071, 080, 092, 104, 122, 140, 152, 182, 206	011, 023, 035, 047, 059, 071, 080, 092, 104, 122, 140, 152, 182, 206

CONTACTS	
TYPE CONTACTS/TERMINATIONS:	
10 Pin, straight, dip solder, .109" x .020" dia	44 Socket, right angle, dip solder, .109" x .020" dia
11 Pin, straight, solder cup	45 Socket, right angle, dip solder, .140" x .020" dia
12 Pin, straight, dip solder, .140" x .020" dia	46 Socket, right angle, dip solder, .172" x .020" dia
13 Pin, straight, dip solder, .172" x .020" dia	47 Socket, right angle, dip solder, .250" x .020" dia
14 Pin, straight, dip solder, .250" x .020" dia	
15 Pin, straight, flex, .093" x .017 dia	

PLATING OPTIONS:	
1 Gold plated termination	1 Gold plated termination
2 Pre-tinned termination, SnPb alloy (dip solder options only) <input checked="" type="checkbox"/>	2 Pre-tinned termination, SnPb alloy <input checked="" type="checkbox"/>
3 Pre-tinned termination, SAC305 alloy (dip solder options only)	3 Pre-tinned termination, SAC305 alloy

HARDWARE	
STYLE OF HARDWARE: (See R-41 & R-42 for all options)	
0256 None	0256 None
55 Guide set	55 Guide set
57 Two guide pins	57 Two guide pins
58 Two guide sockets	58 Two guide sockets
29 Fixed jackset	29 Fixed jackset
30 Fixed jackset, reversed	30 Fixed jackset, reversed
19 Two fixed jackscrews	19 Two fixed jackscrews
20 Two fixed jacksockets	20 Two fixed jacksockets
59 Hex turning jackset, .200"	59 Hex turning jackset, .200"
60 Hex turning jackset, reversed, .200"	60 Hex turning jackset, reversed, .200"
61 Two hex turning jackscrews, .200"	61 Two hex turning jackscrews, .200"
62 Two hex turning jacksockets, .200"	62 Two hex turning jacksockets, .200"
64 Turning jackset, .490"	64 Turning jackset, .490"
65 Turning jackset, reversed, .490"	65 Turning jackset, reversed, .490"
66 Two turning jackscrews, .490"	66 Two turning jackscrews, .490"
67 Two turning jacksockets, .490"	67 Two turning jacksockets, .490"

POLARIZATION:	
00 None	00 None
01 thru 68 are special identifiers, see R-38	01 thru 68 are special identifiers, see R-38
70 Same configuration as 01 without Loctite® (To be keyed by customer)	70 Same configuration as 01 without Loctite® (To be keyed by customer)

OPTIONS	
	076 PWB mounting holes, .100" dia (cross drilled)

= Option not RoHS compliant

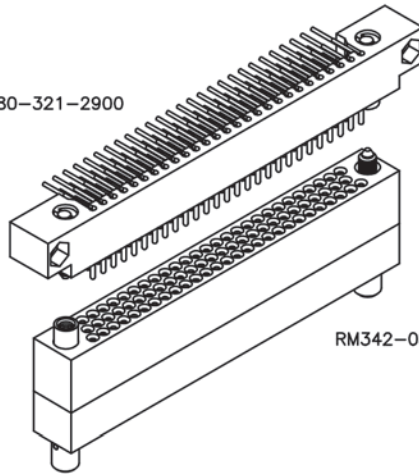
3 · ROW Board to Crimp Removable

.075"

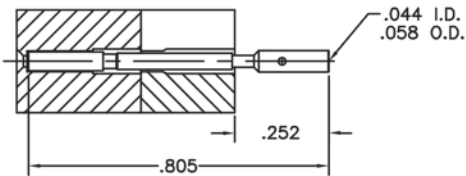
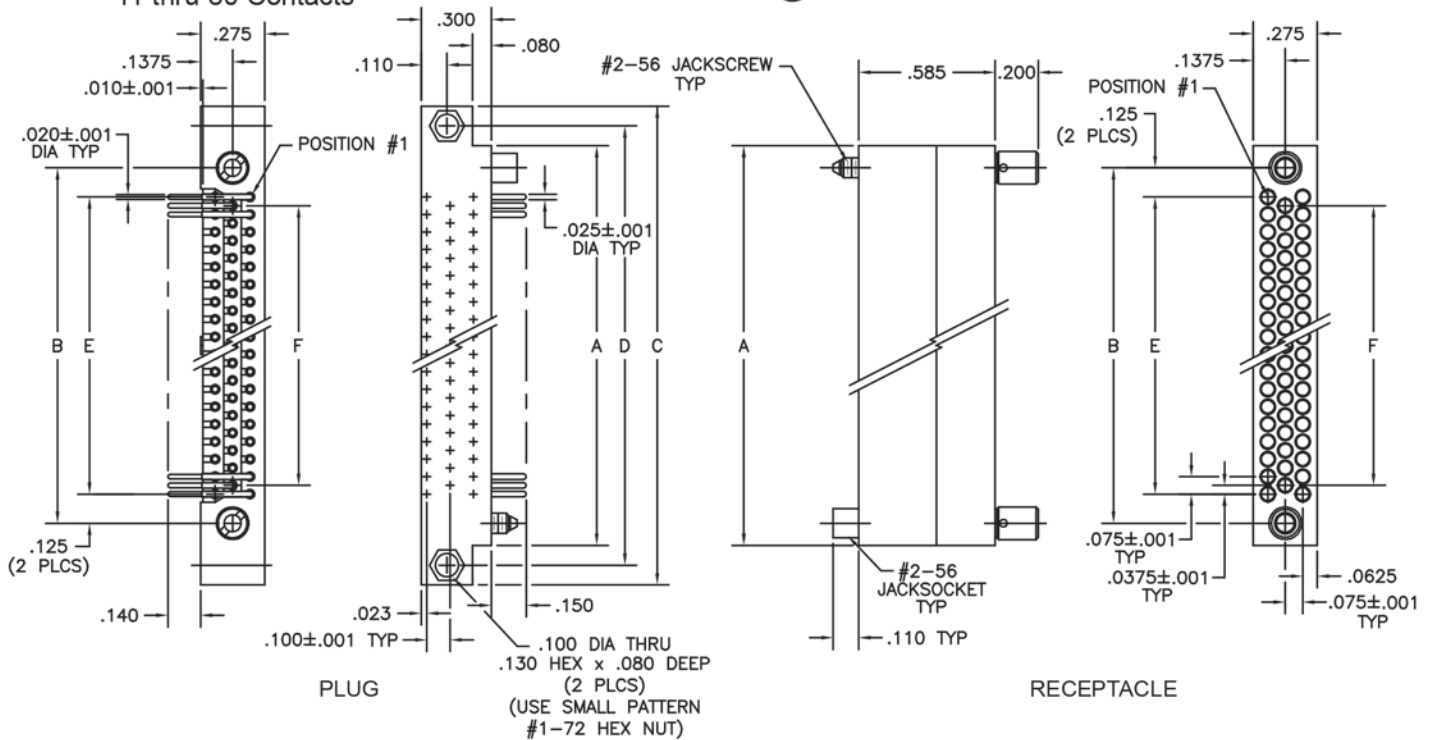
RM3

11 thru 80 Contacts

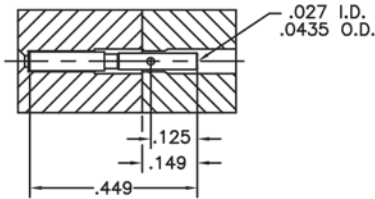
RM352-080-321-2900



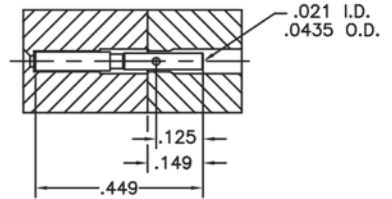
RM342-080-581-5900



20-22 AWG



24-26 AWG



28-30 AWG

NOTE:

When using crimp contacts with 20 gage barrel, barrel must be cut off prior to removing contact from connector body.

CRIMP REMOVABLE CONTACTS	
SIZE	PART NUMBER
20-22 AWG	RM300-000-571-0000
24-26 AWG	RM300-000-581-0000
28-30 AWG	RM300-000-591-0000

SIZE	DIMENSIONS					
	A	B	C	D	E	F
11	.665	.475	1.005	.835	.225	.150
23	.965	.775	1.305	1.135	.525	.450
35	1.265	1.075	1.605	1.435	.825	.750
47	1.565	1.375	1.905	1.735	1.125	1.050
59	1.865	1.675	2.205	2.035	1.425	1.350
71	2.165	1.975	2.505	2.335	1.725	1.650
80	2.390	2.200	2.730	2.560	1.950	1.875

PLUG: RM352-080-321-2900
 RECEPTACLE: RM342-080-581-5900
 XXXXX-XXX-XXX-XXXXXX

PLUG		RECEPTACLE	
SERIES			
RM .075" Screw Machine PC Connector		RM .075" Screw Machine PC Connector	
BODY			
3 3-Row		3 3-Row	
BODY STYLE:		BODY STYLE:	
5 Plug, right angle, with mounting ears		2 Receptacle, straight, with mounting ears	
7 Plug, right angle, without mounting ears		4 Receptacle, straight, without mounting ears	
BODY MATERIAL:		BODY MATERIAL:	
2 Polyphenylene sulfide (PPS)		2 Polyphenylene sulfide (PPS)	
SIZE			
011, 023, 035, 047, 059, 071, 080		011, 023, 035, 047, 059, 071, 080	
CONTACTS			
TYPE CONTACTS/TERMINATIONS:		TYPE CONTACTS/TERMINATIONS:	
31 Pin, right angle, dip solder, .109" x .020" dia		00 Contacts not supplied	
32 Pin, right angle, dip solder, .140" x .020" dia		57 Socket, straight, crimp removable (20-22 AWG)*	
33 Pin, right angle, dip solder, .172" x .020" dia		58 Socket, straight, crimp removable (24-26 AWG)*	
34 Pin, right angle, dip solder, .109" x .016" dia		59 Socket, straight, crimp removable (28-30 AWG)*	
35 Pin, right angle, dip solder, .140" x .016" dia			
36 Pin, right angle, dip solder, .172" x .016" dia			
PLATING OPTIONS:		PLATING OPTIONS:	
1 Gold plated termination		0 No plating (use with Contact Option "00" only)	
2 Pre-tinned termination, SnPb alloy <input checked="" type="checkbox"/>		1 Gold plated termination	
3 Pre-tinned termination, SAC305 alloy			
HARDWARE			
STYLE OF HARDWARE: (See R-41 & R-42 for all options)		STYLE OF HARDWARE: (See R-41 & R-42 for all options)	
0256 None		0256 None	
55 Guide set		55 Guide set	
57 Two guide pins		57 Two guide pins	
58 Two guide sockets		58 Two guide sockets	
29 Fixed jackset		29 Fixed jackset	
30 Fixed jackset, reversed		30 Fixed jackset, reversed	
19 Two fixed jackscrews		19 Two fixed jackscrews	
20 Two fixed jacksockets		20 Two fixed jacksockets	
59 Hex turning jackset, .200" knob		59 Hex turning jackset, .200" knob	
60 Hex turning jackset, reversed, .200" knob		60 Hex turning jackset, reversed, .200" knob	
61 Two hex turning jackscrews, .200" knob		61 Two hex turning jackscrews, .200" knob	
62 Two hex turning jacksockets, .200" knob		62 Two hex turning jacksockets, .200" knob	
64 Turning jackset, .490" knob		64 Turning jackset, .490" knob	
65 Turning jackset, reversed, .490" knob		65 Turning jackset, reversed, .490" knob	
66 Two turning jackscrews, .490" knob		66 Two turning jackscrews, .490" knob	
67 Two turning jacksockets, .490" knob		67 Two turning jacksockets, .490" knob	
POLARIZATION:		POLARIZATION	
00 None		00 None	
01 thru 68 are special identifiers, see R-38		01 thru 68 are special identifiers, see R-38	
70 Same configuration as 01 without Loctite [®] (To be keyed by customer)		70 Same configuration as 01 without Loctite [®] (To be keyed by customer)	
OPTIONS			
BN Bond #1-72, sm. pattern hex nuts into mtg. ears			

* Full compliment of crimp removable sockets packaged with connectors
 1. Crimp tool - AirBorn part number: CDG4601, Mil Spec number M22520/2-01
 2. Crimp positioner - AirBorn part number: CDG4602 (24-26 AWG and 28-30 AWG)
 CDG4603 (20-22 AWG)
 3. Crimp removal tool - AirBorn part number: CDG8161 (All AWGs)
 4. Crimp contact part number on previous page.
 = Option not RoHS compliant



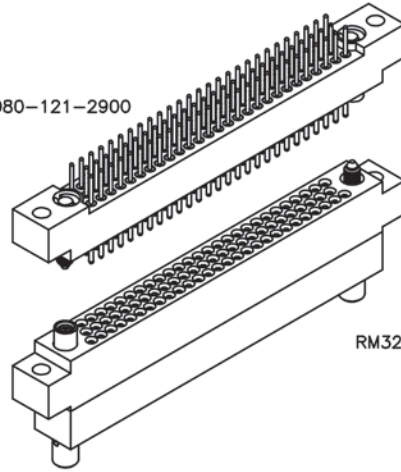
3 · ROW Cable or Board to Crimp Removable

.075"

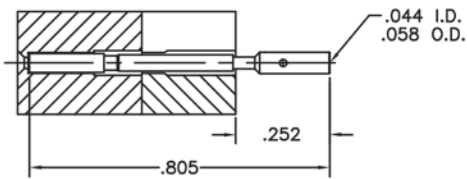
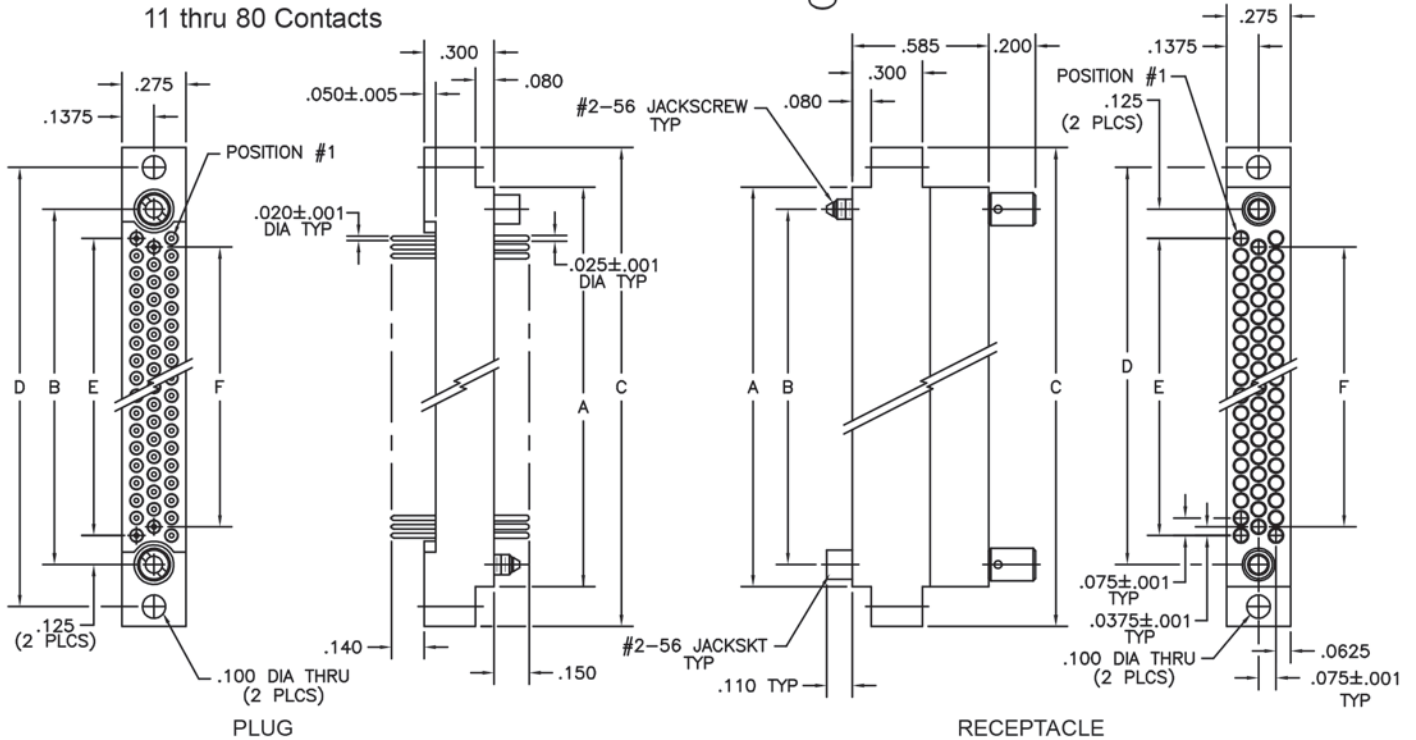
RM3

11 thru 80 Contacts

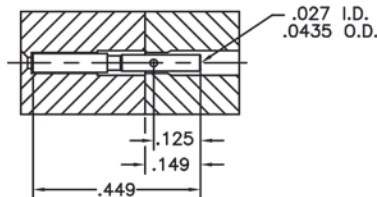
RM312-080-121-2900



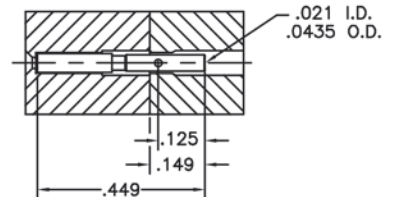
RM322-080-581-5900



20-22 AWG



24-26 AWG



28-30 AWG

NOTE:

When using crimp contacts with 20 gage barrel, barrel must be cut off prior to removing contact from connector body.

CRIMP REMOVABLE CONTACTS	
SIZE	PART NUMBER
20-22 AWG	RM300-000-571-0000
24-26 AWG	RM300-000-581-0000
28-30 AWG	RM300-000-591-0000

DIMENSIONS						
SIZE	A	B	C	D	E	F
11	.665	.475	1.005	.835	.225	.150
23	.965	.775	1.305	1.135	.525	.450
35	1.265	1.075	1.605	1.435	.825	.750
47	1.565	1.375	1.905	1.735	1.125	1.050
59	1.865	1.675	2.205	2.035	1.425	1.350
71	2.165	1.975	2.505	2.335	1.725	1.650
80	2.390	2.200	2.730	2.560	1.950	1.875

PLUG: RM312-080-121-2900
 RECEPTACLE: RM322-080-581-5900
 XXXXX-XXX-XXX-XXXX

PLUG

RECEPTACLE

SERIES	
RM .075" Screw Machine PC Connector	RM .075" Screw Machine PC Connector
BODY	
3 3-Row	3 3-Row
BODY STYLE:	BODY STYLE:
1 Plug, straight, with mounting ears	2 Receptacle, straight, with mounting ears
3 Plug, straight, without mounting ears	4 Receptacle, straight, without mounting ears
BODY MATERIAL:	BODY MATERIAL:
2 Polyphenylene sulfide (PPS)	2 Polyphenylene sulfide (PPS)
SIZE	
011, 023, 035, 047, 059, 071, 080	011, 023, 035, 047, 059, 071, 080
CONTACTS	
TYPE CONTACTS/TERMINATIONS:	TYPE CONTACTS/TERMINATIONS:
10 Pin, straight, dip solder, .109" x .020" dia	00 Contacts not supplied
11 Pin, straight, solder cup	57 Socket, straight, crimp removable (20-22 AWG)*
12 Pin, straight, dip solder, .140" x .020" dia	58 Socket, straight, crimp removable (24-26 AWG)*
13 Pin, straight, dip solder, .172" x .020" dia	59 Socket, straight, crimp removable (28-30 AWG)*
14 Pin, straight, dip solder, .250" x .020" dia	
15 Pin, straight, flex, .093" x .017" dia	
PLATING OPTIONS:	PLATING OPTIONS:
1 Gold plated termination	0 No plating (use with Contact Option "00" only)
2 Pre-tinned termination, SnPb alloy (dip solder options only) <input checked="" type="checkbox"/>	1 Gold plated termination
3 Pre-tinned termination, SAC305 alloy (dip solder options only)	
HARDWARE	
STYLE OF HARDWARE: (See R-41 & R-42 for all options)	STYLE OF HARDWARE: (See R-41 & R-42 for all options)
0256 None	0256 None
55 Guide set	55 Guide set
57 Two guide pins	57 Two guide pins
58 Two guide sockets	58 Two guide sockets
29 Fixed jackset	29 Fixed jackset
30 Fixed jackset, reversed	30 Fixed jackset, reversed
19 Two fixed jackscrews	19 Two fixed jackscrews
20 Two fixed jackscrews	20 Two fixed jackscrews
59 Hex turning jackset, .200" knob	59 Hex turning jackset, .200" knob
60 Hex turning jackset, reversed, .200" knob	60 Hex turning jackset, reversed, .200" knob
61 Two hex turning jackscrews, .200" knob	61 Two hex turning jackscrews, .200" knob
62 Two hex turning jackscrews, .200" knob	62 Two hex turning jackscrews, .200" knob
64 Turning jackset, .490" knob	64 Turning jackset, .490" knob
65 Turning jackset, reversed, .490" knob	65 Turning jackset, reversed, .490" knob
66 Two turning jackscrews, .490" knob	66 Two turning jackscrews, .490" knob
67 Two turning jackscrews, .490" knob	67 Two turning jackscrews, .490" knob
POLARIZATION:	POLARIZATION
00 None	00 None
01 thru 68 are special identifiers, see R-38	01 thru 68 are special identifiers, see R-38
70 Same configuration as 01 without Loctite® (To be keyed by customer)	70 Same configuration as 01 without Loctite® (To be keyed by customer)

- * Full compliment of crimp removable sockets packaged with connectors
1. Crimp tool - AirBorn part number: CDG4601, Mil Spec number M22520/2-01
 2. Crimp positioner - AirBorn part number: CDG4602 (24-26 AWG and 28-30 AWG)
CDG4603 (20-22 AWG)
 3. Crimp removal tool - AirBorn part number: CDG8161 (All AWGs)
 4. Crimp contact part number on previous page.
- = Option not RoHS compliant

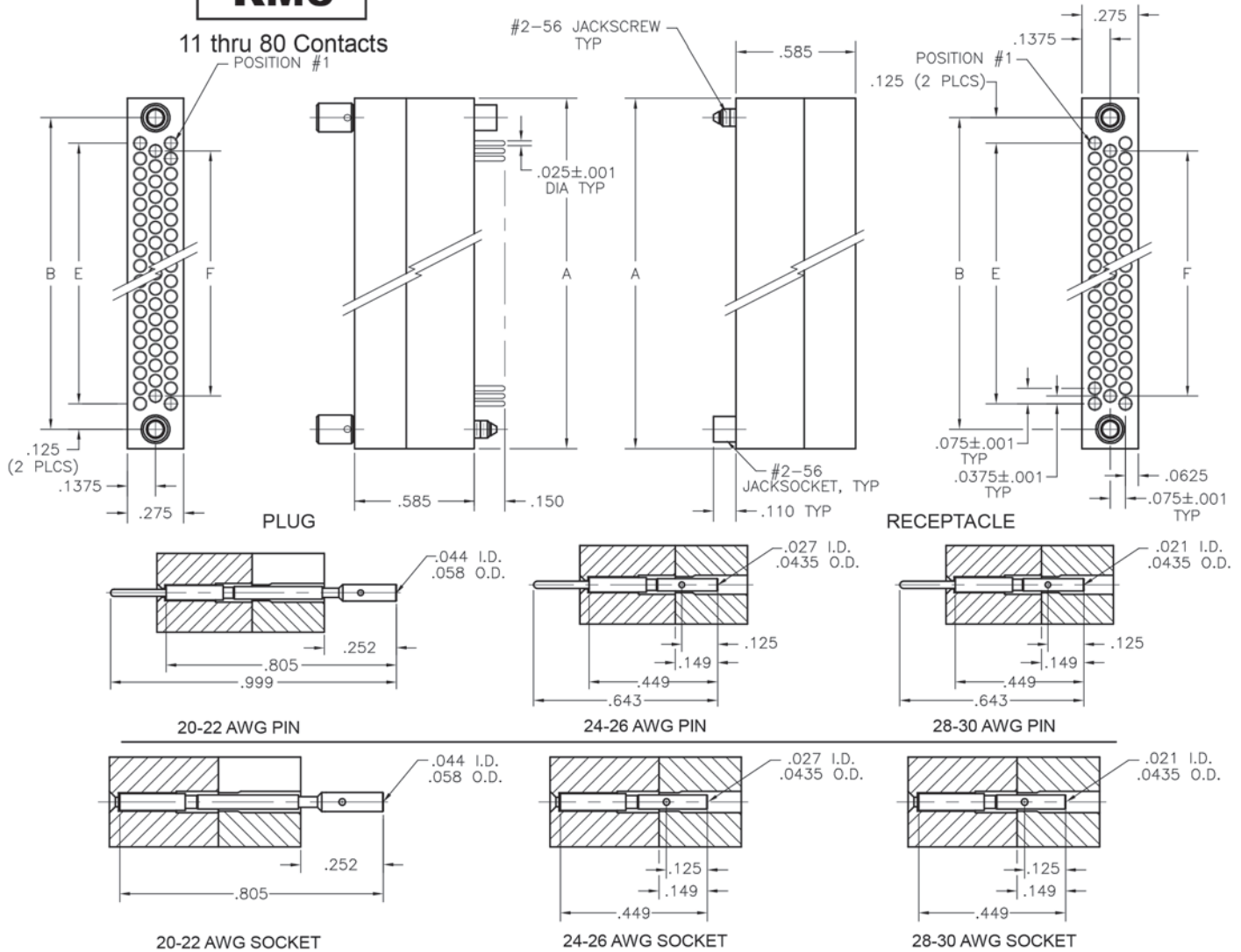
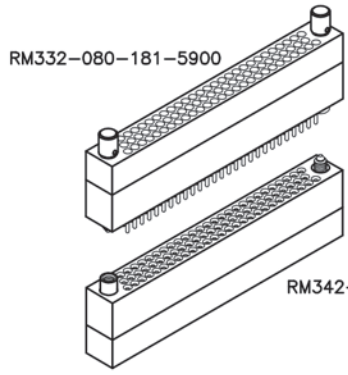


3 · ROW Crimp Removable to Crimp Removable

.075"

RM3

11 thru 80 Contacts
POSITION #1



NOTE: When using crimp contacts with 20 gage barrel, barrel must be cut off prior to removing contact from connector body.

CRIMP REMOVABLE CONTACTS	
SIZE	PART NUMBER
20-22 AWG PIN	RM300-000-171-0000
24-26 AWG PIN	RM300-000-181-0000
28-30 AWG PIN	RM300-000-191-0000
20-22 AWG SKT	RM300-000-571-0000
24-26 AWG SKT	RM300-000-581-0000
28-30 AWG SKT	RM300-000-591-0000

DIMENSIONS				
SIZE	A	B	E	F
11	.665	.475	.225	.150
23	.965	.775	.525	.450
35	1.265	1.075	.825	.750
47	1.565	1.375	1.125	1.050
59	1.865	1.675	1.425	1.350
71	2.165	1.975	1.725	1.650
80	2.390	2.200	1.950	1.875

PLUG: RM332-080-181-5900
 RECEPTACLE: RM342-080-581-2900
 XXXXX-XXX-XXX-XXXX

PLUG

RECEPTACLE

SERIES	
RM .075" Screw Machine PC Connector	RM .075" Screw Machine PC Connector

BODY	
3 3-Row	3 3-Row
BODY STYLE:	BODY STYLE:
1 Plug, straight, with mounting ears	2 Receptacle, straight, with mounting ears
3 Plug, straight, without mounting ears	4 Receptacle, straight, without mounting ears
BODY MATERIAL:	BODY MATERIAL:
2 Polyphenylene sulfide (PPS)	2 Polyphenylene sulfide (PPS)

SIZE	
011, 023, 035, 047, 059, 071, 080	011, 023, 035, 047, 059, 071, 080

CONTACTS	
TYPE CONTACTS/TERMINATIONS:	TYPE CONTACTS/TERMINATIONS:
00 Contacts not supplied	00 Contacts not supplied
17 Pin, straight, crimp removable (20-22 AWG)*	57 Socket, straight, crimp removable (20-22 AWG)*
18 Pin, straight, crimp removable (24-26 AWG)*	58 Socket, straight, crimp removable (24-26 AWG)*
19 Pin, straight, crimp removable (28-30 AWG)*	59 Socket, straight, crimp removable (28-30 AWG)*
PLATING OPTIONS:	PLATING OPTIONS:
0 No plating (use with Contact Option "00" only)	0 No plating (use with Contact Option "00" only)
1 Gold plated termination	1 Gold plated termination

HARDWARE	
STYLE OF HARDWARE: (See R-41 & R-42 for all options)	STYLE OF HARDWARE: (See R-41 & R-42 for all options)
0256 None	0256 None
55 Guide set	55 Guide set
57 Two guide pins	57 Two guide pins
58 Two guide sockets	58 Two guide sockets
29 Fixed jackset	29 Fixed jackset
30 Fixed jackset, reversed	30 Fixed jackset, reversed
19 Two fixed jackscrews	19 Two fixed jackscrews
20 Two fixed jacksockets	20 Two fixed jacksockets
59 Hex turning jackset, .200" knob	59 Hex turning jackset, .200" knob
60 Hex turning jackset, reversed, .200" knob	60 Hex turning jackset, reversed, .200" knob
61 Two hex turning jackscrews, .200" knob	61 Two hex turning jackscrews, .200" knob
62 Two hex turning jacksockets, .200" knob	62 Two hex turning jacksockets, .200" knob
64 Turning jackset, .490" knob	64 Turning jackset, .490" knob
65 Turning jackset, reversed, .490" knob	65 Turning jackset, reversed, .490" knob
66 Two turning jackscrews, .490" knob	66 Two turning jackscrews, .490" knob
67 Two turning jacksockets, .490" knob	67 Two turning jacksockets, .490" knob
POLARIZATION:	POLARIZATION
00 None	00 None
01 thru 68 are special identifiers, see R-38	01 thru 68 are special identifiers, see R-38
70 Same configuration as 01 without Loctite® (To be keyed by customer)	70 Same configuration as 01 without Loctite® (To be keyed by customer)

- * Full compliment of crimp removable sockets packaged with connectors
1. Crimp tool - AirBorn part number: CDG4601, Mil Spec number M22520/2-01
 2. Crimp positioner - AirBorn part number: CDG4602 (24-26 AWG and 28-30 AWG)
CDG4603 (20-22 AWG)
 3. Crimp removal tool - AirBorn part number: CDG8161 (All AWGs)
 4. Crimp contact part number on previous page.



3 · ROW

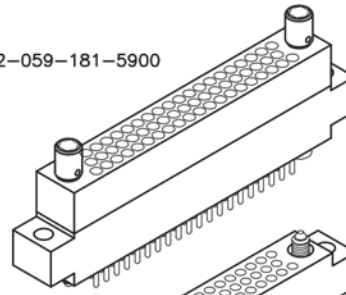
Crimp Removable to Cable or Board

.075"

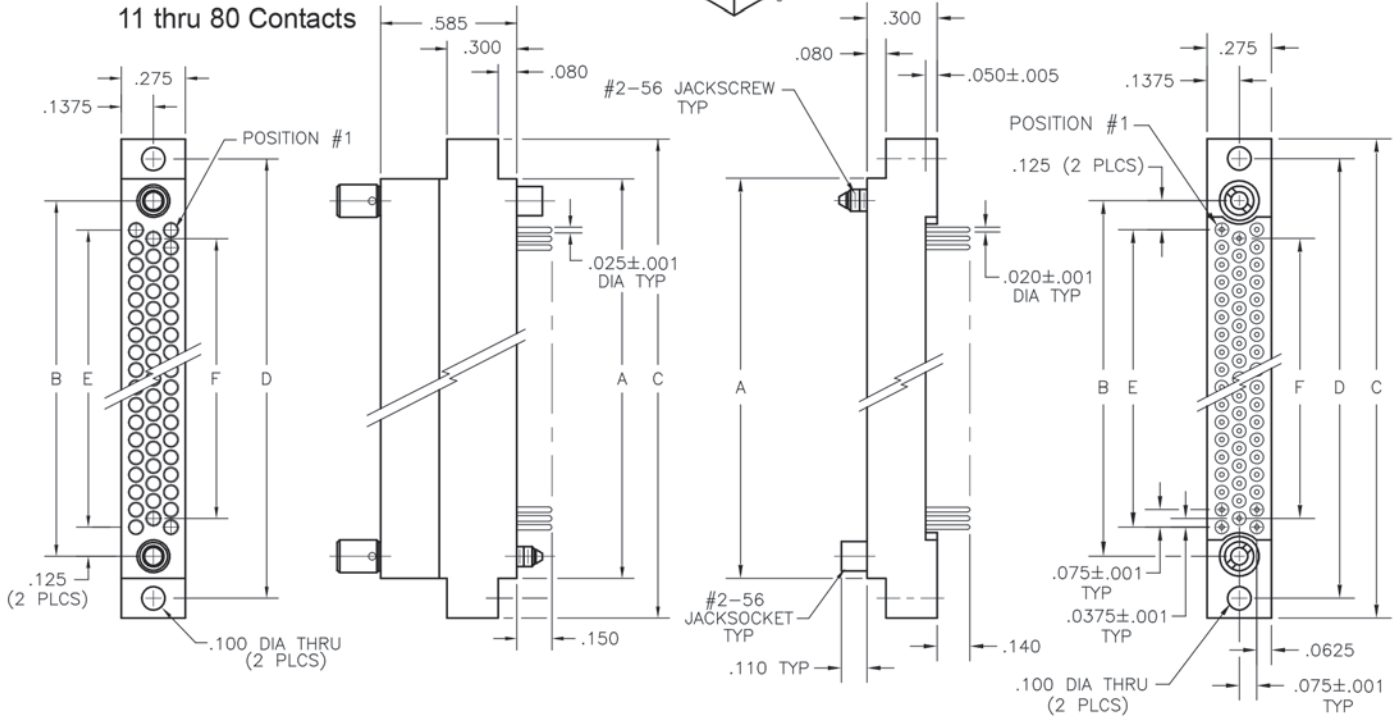
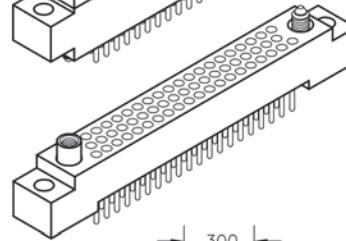
RM3

11 thru 80 Contacts

RM312-059-181-5900

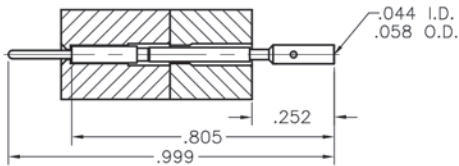


RM322-059-211-2900

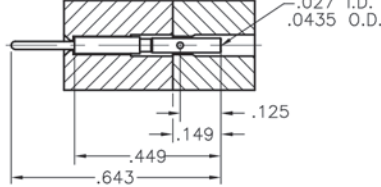


PLUG

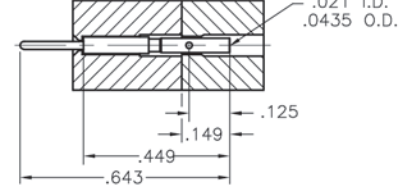
RECEPTACLE



20-22 AWG



24-26 AWG



28-30 AWG

NOTE:

When using crimp contacts with 20 gage barrel, barrel must be cut off prior to removing contact from connector body.

CRIMP REMOVABLE CONTACTS	
SIZE	PART NUMBER
20-22 AWG	RM300-000-171-0000
24-26 AWG	RM300-000-181-0000
28-30 AWG	RM300-000-191-0000

DIMENSIONS						
SIZE	A	B	C	D	E	F
11	.665	.475	1.005	.835	.225	.150
23	.965	.775	1.305	1.135	.525	.450
35	1.265	1.075	1.605	1.435	.825	.750
47	1.565	1.375	1.905	1.735	1.125	1.050
59	1.865	1.675	2.205	2.035	1.425	1.350
71	2.165	1.975	2.505	2.335	1.725	1.650
80	2.390	2.200	2.730	2.560	1.950	1.875

PLUG: RM312-059-181-5900
 RECEPTACLE: RM322-059-211-2900
 XXXXX-XXX-XXX-XXXX

PLUG

RECEPTACLE

SERIES	
RM .075" Screw Machine PC Connector	RM .075" Screw Machine PC Connector
BODY	
3 3-Row	3 3-Row
BODY STYLE: 1 Plug, straight, with mounting ears 3 Plug, straight, without mounting ears	BODY STYLE: 2 Receptacle, straight, with mounting ears 4 Receptacle, straight, without mounting ears
BODY MATERIAL: 2 Polyphenylene sulfide (PPS)	BODY MATERIAL: 2 Polyphenylene sulfide (PPS)
SIZE	
011, 023, 035, 047, 059, 071, 080	011, 023, 035, 047, 059, 071, 080
CONTACTS	
TYPE CONTACTS/TERMINATIONS: 00 Contacts not supplied 17 Pin, straight, crimp removable (20-22 AWG)* 18 Pin, straight, crimp removable (24-26 AWG)* 19 Pin, straight, crimp removable (28-30 AWG)*	TYPE CONTACTS/TERMINATIONS: 20 Socket, straight, dip solder, .109" x .020" dia 21 Socket, straight, dip solder, .140" x .020" dia 22 Socket, straight, dip solder, .172" x .020" dia 23 Socket, straight, dip solder, .250" x .020" dia 24 Socket, straight, solder cup 25 Socket, straight, flex circuit, 093" x .017" dia 26 Socket, straight, wire wrap ®, .500" x .018 sq 27 Socket, straight, wire wrap ®, .375" x .018 sq 28 Socket, straight, wire wrap ®, .625" x .018 sq 29 Socket, connector saver, .150" x .025" dia 50 Socket, straight, dip solder, .140" x .016" dia 51 Socket, straight, dip solder, .172" x .016" dia 53 Socket, straight, stacking, .212" x .025" dia 54 Socket, straight, stacking, .244" x .025" dia 55 Socket, straight, stacking, .275" x .025" dia 64 Socket, straight, press-fit, .203" (Board .093"- .125" thk) 65 Socket, straight, press-fit, .323" (Board .156"- .200" thk) 66 Socket, straight, press-fit, .403" (Board .250"+ thk)
PLATING OPTIONS: 0 No plating (use with Contact Option "00" only) 1 Gold plated termination	PLATING OPTIONS: 1 Gold plated termination 2 Pre-tinned termination, SnPb alloy (dip solder options only) <input checked="" type="checkbox"/> 3 Pre-tinned termination, SAC305 alloy (dip solder options only)
HARDWARE	
STYLE OF HARDWARE: (See R-41 & R-42 for all options) 0256 None 55 Guide set 57 Two guide pins 58 Two guide sockets 29 Fixed jackset 30 Fixed jackset, reversed 19 Two fixed jackscrews 20 Two fixed jackscrews 59 Hex turning jackset, .200" knob 60 Hex turning jackset, reversed, .200" knob 61 Two hex turning jackscrews, .200" knob 62 Two hex turning jackscrews, .200" knob 64 Turning jackset, .490" knob 65 Turning jackset, reversed, .490" knob 66 Two turning jackscrews, .490" knob 67 Two turning jackscrews, .490" knob	STYLE OF HARDWARE: (See R-41 & R-42 for all options) 0256 None 55 Guide set 57 Two guide pins 58 Two guide sockets 29 Fixed jackset 30 Fixed jackset, reversed 19 Two fixed jackscrews 20 Two fixed jackscrews 59 Hex turning jackset, .200" knob 60 Hex turning jackset, reversed, .200" knob 61 Two hex turning jackscrews, .200" knob 62 Two hex turning jackscrews, .200" knob 64 Turning jackset, .490" knob 65 Turning jackset, reversed, .490" knob 66 Two turning jackscrews, .490" knob 67 Two turning jackscrews, .490" knob
POLARIZATION: 00 None 01 thru 68 are special identifiers, see R-38 70 Same configuration as 01 without Loctite® (To be keyed by customer)	POLARIZATION: 00 None 01 thru 68 are special identifiers, see R-38 70 Same configuration as 01 without Loctite® (To be keyed by customer)

* Full complement of crimp removable sockets packaged with connectors

1. Crimp tool - AirBorn part number: CDG4601, Mil Spec number M22520/2-01
2. Crimp positioner - AirBorn part number: CDG4602 (24-26 AWG and 28-30 AWG) / CDG4603 (20-22 AWG)
3. Crimp removal tool - AirBorn part number: CDG8161 (All AWGs)
4. Crimp contact part number on previous page.

= Option not RoHS compliant



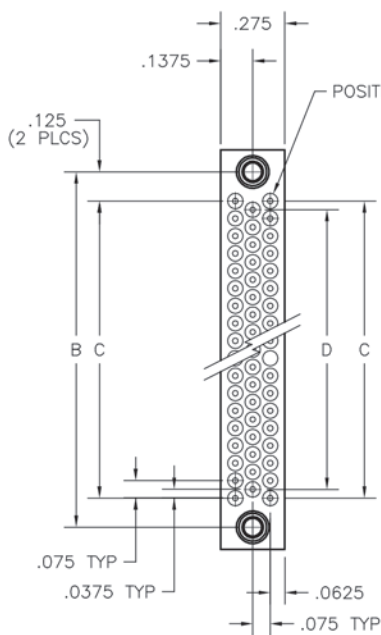
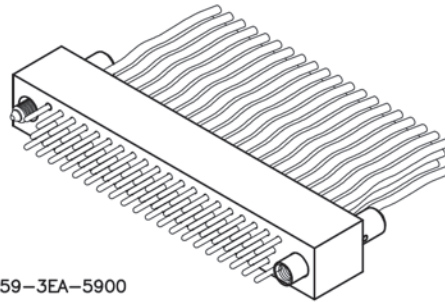
3 · ROW Crimped Wire I/O Plug

.075"

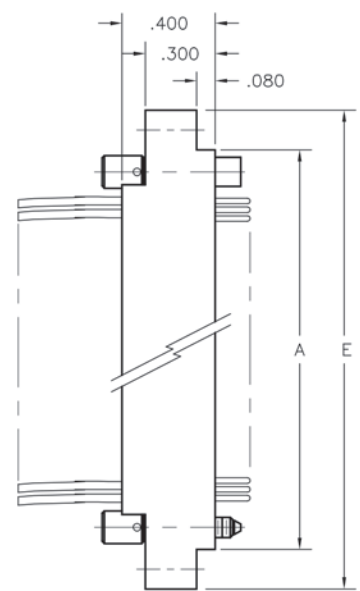
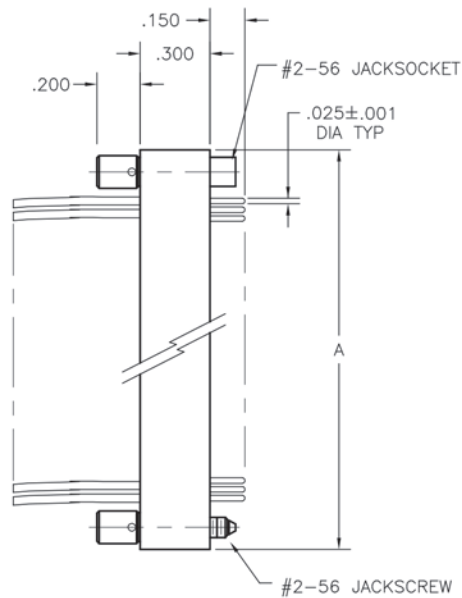
RA3

11 thru 104 Contacts

RA3D2-059-3EA-5900



PLUG WITHOUT
MOUNTING EARS OR
POTTING WELL



PLUG WITH
MOUNTING EARS AND
POTTING WELL

DIMENSIONS					
SIZE	A	B	C	D	E
11	.665	.475	.225	.150	1.005
23	.965	.775	.525	.450	1.305
35	1.265	1.075	.825	.750	1.605
47	1.565	1.375	1.125	1.050	1.905
59	1.865	1.675	1.425	1.350	2.205
71	2.165	1.975	1.725	1.650	2.505
80	2.390	2.200	1.950	1.875	2.730
104	2.990	2.800	2.550	2.475	3.330

RA3 PLUG CONNECTORS MATE WITH:		
MATE	DESCRIPTION	PAGE
RM322	3 ROW STRAIGHT RECEPTACLE WITH EARS	R-21
RM342	3 ROW STRAIGHT RECEPTACLE WITHOUT EARS	R-21
RM362	3 ROW RIGHT ANGLE RECEPTACLE WITH EARS	R-23
RM382	3 ROW RIGHT ANGLE RECEPTACLE WITHOUT EARS	R-23

REPLACEMENT CONTACTS:

RA000-001-100-0000
RA000-001-300-0000

SEE PAGE R-33.4 FOR CRIMP INSTRUCTIONS, CONTACT INSERTION AND CONTACT REMOVAL TOOLS.

PLUG: RA3D2-059-3EA-5900
XXXXX-XXX-XXX-XXXX

SERIES	
RA .075" Screw Machine PC Connector	
BODY	
3	3-Row
BODY STYLE:	
A	Plug, straight, w/ potting well, w/ mounting ears
B	Plug, straight, w/ potting well, w/out mounting ears
C	Plug, straight, w/out potting well, w/ mounting ears
D	Plug, straight, w/out potting well, w/out mounting ears
BODY MATERIAL:	
2	Polyphenylene sulfide (PPS)
SIZE	
011, 023, 035, 047, 059, 071, 080, 104	
CONTACTS	
TYPE CONTACTS/TERMINATIONS:	
1	Pin, crimp, 28-30 awg. contact
3	Pin, crimp, 22-26 awg. contact
WIRING OPTIONS:	
XX	See wiring codes at right
HARDWARE	
STYLE OF HARDWARE:	
0256	None
Guide Hardware	
5500	Guide set
5501-5568	Guide set, polarized (see page R-38)
5570	Guide set, polarized, same as 5501 without Loctite® (to be keyed by customer)
5700	Two guide pins
5800	Two guide sockets
Jacking Hardware	
2900	Fixed jackset
3000	Fixed jackset, reversed
1900	Two fixed jackscrews
2000	Two fixed jackscrews
5900	Hex turning jackset, .200" knob
6000	Hex turning jackset, reversed, .200" knob
6100	Two hex turning jackscrews, .200" knob
6200	Two hex turning jackscrews, .200" knob
6400	Turning jackset, .490" knob
6500	Turning jackset, reversed, .490" knob
6600	Two turning jackscrews, .490" knob
6700	Two turning jackscrews, .490" knob

= Option not RoHS compliant

If potting well is used with a pre-wired connector, it will be potted and not repairable.
If potting well is not used with a pre-wired connector, it will not be potted.
Contacts that are not potted in place can be removed and replaced only one time.
See page R-33.4 for crimp instructions, contact insertion and contact removal tools.

WIRE CODES

TYPE and COLOR			LENGTH	
Code	Size	Color	Code	Length (+1"/-0")
Mil-W-16878/4				
A	22 awg	Ten repeating	A	6"
B	22 awg	White	B	12"
C	24 awg	Ten repeating	C	18"
D	24 awg	White	D	24"
E	26 awg	Ten repeating	E	30"
F	26 awg	White	F	36"
G	28 awg	Ten repeating	G	42"
H	28 awg	White	H	48"
J	30 awg	Ten repeating	J	54"
K	30 awg	White	K	60"
L			L	66"
M			M	72"
N			N	84"
P			P	96"
R			R	108"
S			S	120"
Mil-W-22759/33				
L	22 awg	Ten repeating		
M	22 awg	White		
N	24 awg	Ten repeating		
P	24 awg	White		
R	26 awg	Ten repeating		
S	26 awg	White		
T	28 awg	Ten repeating		
U	28 awg	White		
V	30 awg	Ten repeating		
W	30 awg	White		

USING WIRE CODES:

RA3D2-059-3EA-5900



Color sequence for Ten repeating wire colors:

(Beginning in position #1)

- Black
- Brown
- Red
- Orange
- Yellow
- Green
- Blue
- Violet
- Grey
- White

Repeat this sequence until connector is fully loaded.



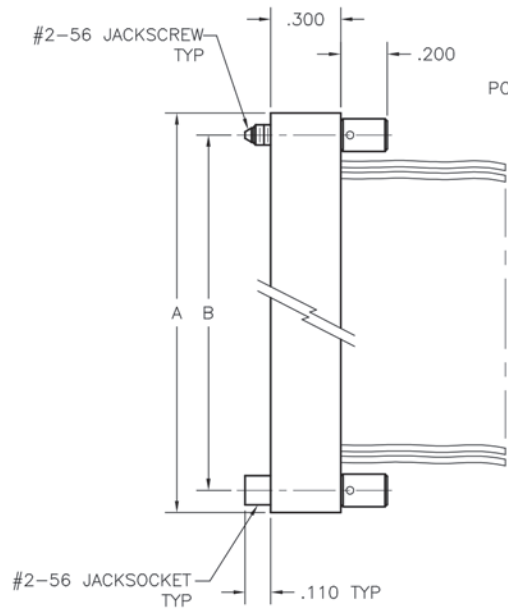
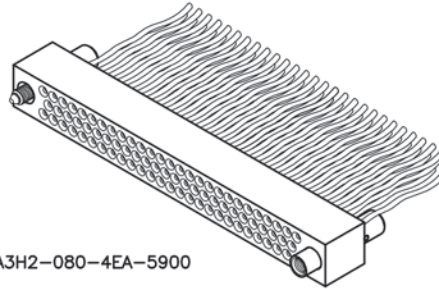
3 · ROW Crimped Wire I/O Receptacle

.075"

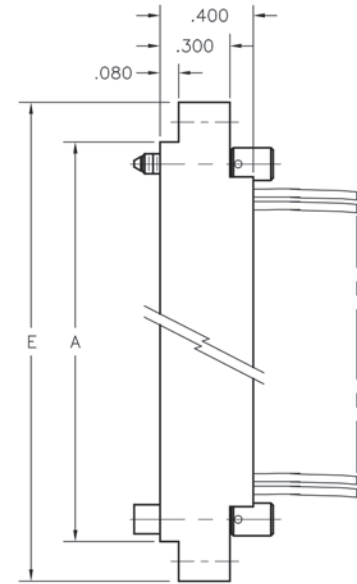
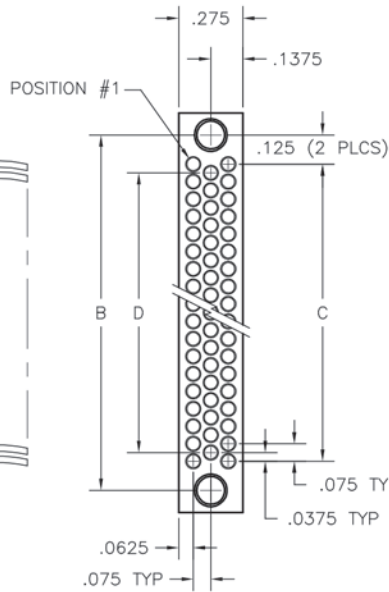
RA3

11 thru 104 Contacts

RA3H2-080-4EA-5900



RECEPTACLE WITHOUT
MOUNTING EARS OR
POTTING WELL



RECEPTACLE WITH
MOUNTING EARS AND
POTTING WELL

DIMENSIONS					
SIZE	A	B	C	D	E
11	.665	.475	.225	.150	1.005
23	.965	.775	.525	.450	1.305
35	1.265	1.075	.825	.750	1.605
47	1.565	1.375	1.125	1.050	1.905
59	1.865	1.675	1.425	1.350	2.205
71	2.165	1.975	1.725	1.650	2.505
80	2.390	2.200	1.950	1.875	2.730
104	2.990	2.800	2.550	2.475	3.330

RA3 RECEPTACLE CONNECTORS MATE WITH:		
MATE	DESCRIPTION	PAGE
RM312	3 ROW STRAIGHT PLUG WITH EARS	R-32
RM332	3 ROW STRAIGHT PLUG WITHOUT EARS	R-32
RM352	3 ROW RIGHT ANGLE PLUG WITH EARS	R-26
RM372	3 ROW RIGHT ANGLE PLUG WITHOUT EARS	R-26

REPLACEMENT CONTACTS:

RA000-001-200-0000
RA000-001-400-0000

SEE PAGE R-33.4 FOR CRIMP INSTRUCTIONS, CONTACT INSERTION AND CONTACT REMOVAL TOOLS.

PLUG: RA3H2-080-4EA-5900
XXXXX-XXX-XXX-XXXX

SERIES	
RA .075" Screw Machine PC Connector	
BODY	
3	3-Row
BODY STYLE:	
E	Receptacle, straight, w/ potting well, w/ mounting ears
F	Receptacle, straight, w/ potting well, w/out mounting ears
G	Receptacle, straight, w/out potting well, w/ mounting ears
H	Receptacle, straight, w/out potting well, w/out mounting ears
BODY MATERIAL:	
2	Polyphenylene sulfide (PPS)
SIZE	
011, 023, 035, 047, 059, 071, 080, 104	
CONTACTS	
TYPE CONTACTS/TERMINATIONS:	
2	Socket, crimp, 28-30 awg. contact
4	Socket, crimp, 22-26 awg. contact
WIRING OPTIONS:	
XX	See wiring codes at right
HARDWARE	
STYLE OF HARDWARE:	
0256	None
Guide Hardware	
5500	Guide set
5501-5568	Guide set, polarized (see page R-38)
5570	Guide set, polarized, same as 5501 without Loctite® (to be keyed by customer)
5700	Two guide pins
5800	Two guide sockets
Jacking Hardware	
2900	Fixed jackset
3000	Fixed jackset, reversed
1900	Two fixed jackscrews
2000	Two fixed jackscrews
5900	Hex turning jackset, .200" knob
6000	Hex turning jackset, reversed, .200" knob
6100	Two hex turning jackscrews, .200" knob
6200	Two hex turning jackscrews, .200" knob
6400	Turning jackset, .490" knob
6500	Turning jackset, reversed, .490" knob
6600	Two turning jackscrews, .490" knob
6700	Two turning jackscrews, .490" knob

= Option not RoHS compliant

If potting well is used with a pre-wired connector, it will be potted and not repairable.
If potting well is not used with a pre-wired connector, it will not be potted.
Contacts that are not potted in place can be removed and replaced only one time.
See page R-33.4 for crimp instructions, contact insertion and contact removal tools.

WIRE CODES

TYPE and COLOR			LENGTH	
Code	Size	Color	Code	Length (+1"/-0")
Mil-W-16878/4				
A	22 awg	Ten repeating	A	6"
B	22 awg	White	B	12"
C	24 awg	Ten repeating	C	18"
D	24 awg	White	D	24"
E	26 awg	Ten repeating	E	30"
F	26 awg	White	F	36"
G	28 awg	Ten repeating	G	42"
H	28 awg	White	H	48"
J	30 awg	Ten repeating	J	54"
K	30 awg	White	K	60"
L			L	66"
M			M	72"
N			N	84"
P			P	96"
R			R	108"
S			S	120"
Mil-W-22759/33				
L	22 awg	Ten repeating		
M	22 awg	White		
N	24 awg	Ten repeating		
P	24 awg	White		
R	26 awg	Ten repeating		
S	26 awg	White		
T	28 awg	Ten repeating		
U	28 awg	White		
V	30 awg	Ten repeating		
W	30 awg	White		

USING WIRE CODES:
RA3H2-080-4EA-5900

Type and Color Length

Color sequence for Ten repeating wire colors:

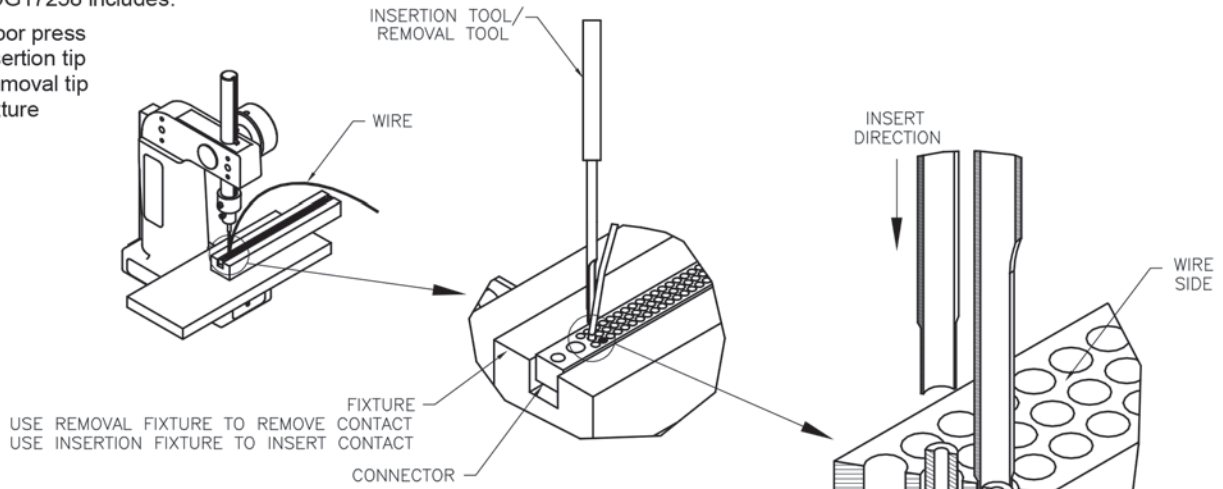
- (Beginning in position #1)
- Black
- Brown
- Red
- Orange
- Yellow
- Green
- Blue
- Violet
- Grey
- White

Repeat this sequence until connector is fully loaded.

RA Assembly Instructions

CDG17258 includes:

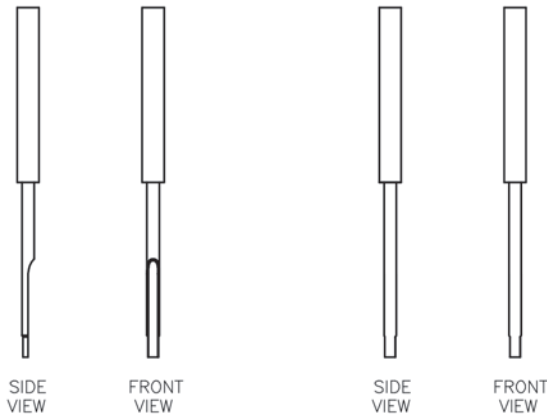
- Arbor press
- Insertion tip
- Removal tip
- Fixture



CONTACT INSERTION INSTRUCTIONS:

1. Load connector with crimped contacts.
2. Place preloaded connector on insertion fixture with wire side facing up.
3. Position fixture so insertion tool is over contact.
4. Place wire against insertion tool cutout trench.
5. Crank handle on press to seat contact.

FIGURE 1



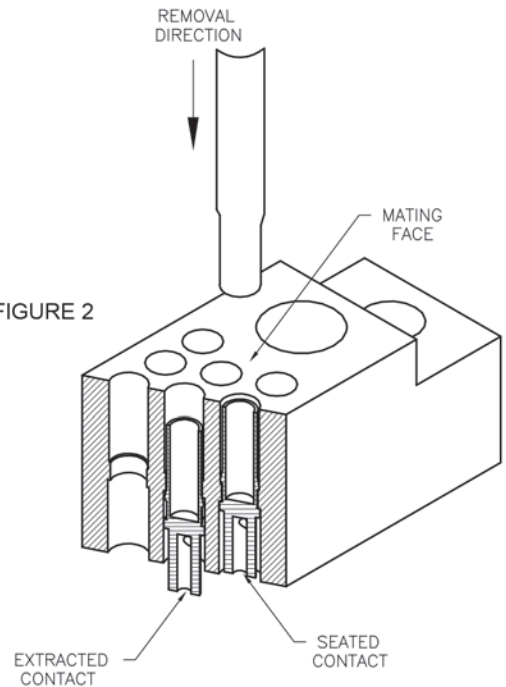
INSERTION TOOL:
AIRBORN P/N: CDG17256

REMOVAL TOOL:
AIRBORN P/N: CDG17257

CONTACT REMOVAL INSTRUCTIONS:

1. Place connector on removal fixture with mating side facing up.
2. Position fixture so removal tool is over contact.
3. Crank handle on press to remove contact.

FIGURE 2

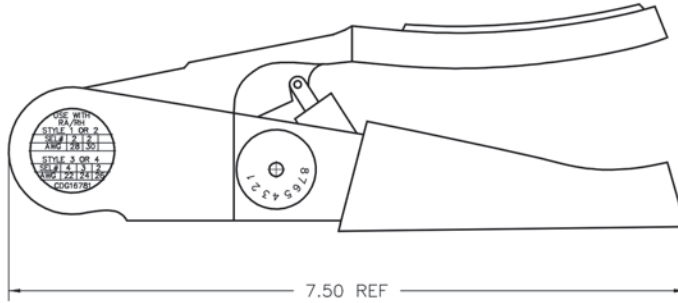


RA Crimp Instructions



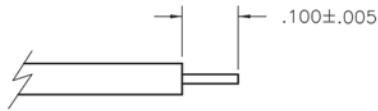
1. SET UP CRIMP TOOL

Install proper positioner into the crimp tool. Crimp settings are shown on the positioner for various wire gauge sizes. Adjust the wheel to the proper setting.



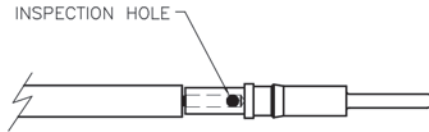
2. STRIP WIRE

Remove insulation from wire as shown.



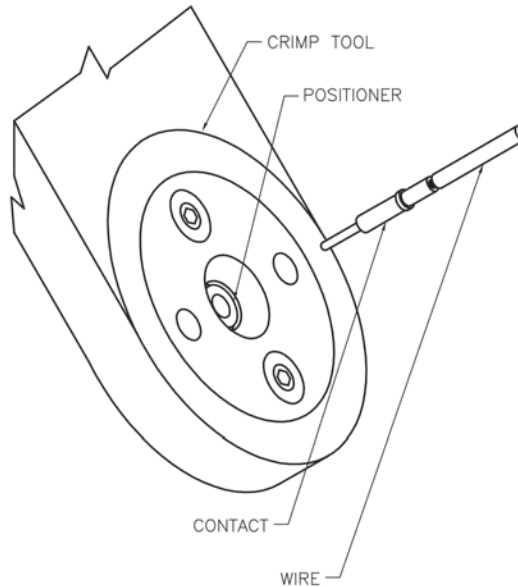
3. INSERT WIRE

Insert wire into the contact. Wire should be visible in the inspection hole.



4. INSERT CONTACT INTO CRIMP TOOL

Make sure the contact is fully seated in the positioner. Squeeze the handles fully. The ratcheting mechanism of the tool will not allow a partial crimp. The handles will not return to the open position until fully compressed. Release the handles and remove the contact.



5. INSPECT CRIMPED CONTACT

Crimp indentions should be uniform in depth and location.

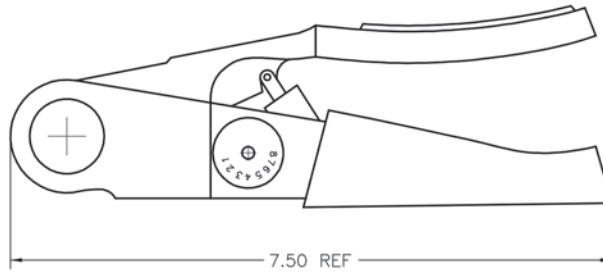




RA Crimp Accessories

Crimp Tool

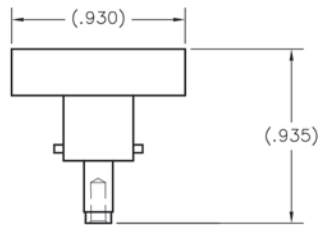
TC2963 - CRIMP TOOL
REF M22520/2-01



Crimp Positioner

USE WITH RA/RH			
STYLE 1 OR 2			
SEL#	2	2	
AWG	28	30	
STYLE 3 OR 4			
SEL#	4	3	2
AWG	22	24	26
CDG16781			

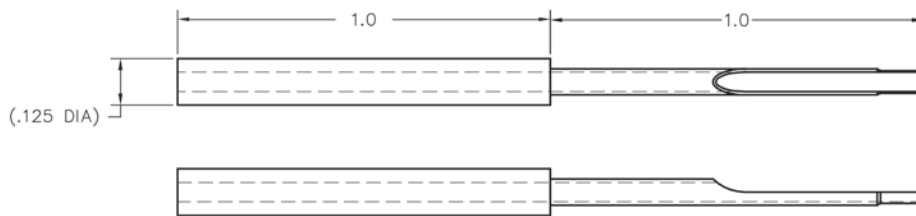
TOOL SELECTION TABLE	
CONTACT	POSITIONER
RA000-001-100-0000	CDG16781
RA000-001-200-0000	
RA000-001-300-0000	
RA000-001-400-0000	



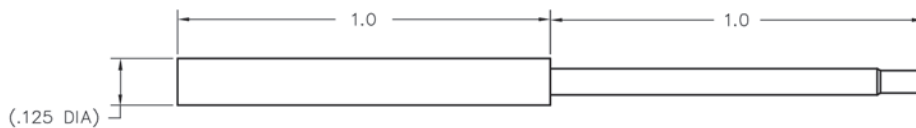
.100±.005

INSULATION STRIPPING
EXPOSE .100 BARE WIRE
LENGTH FOR INSERTION INTO
CONTACT.

Insertion Tool - CDG17256



Removal Tool - CDG17257

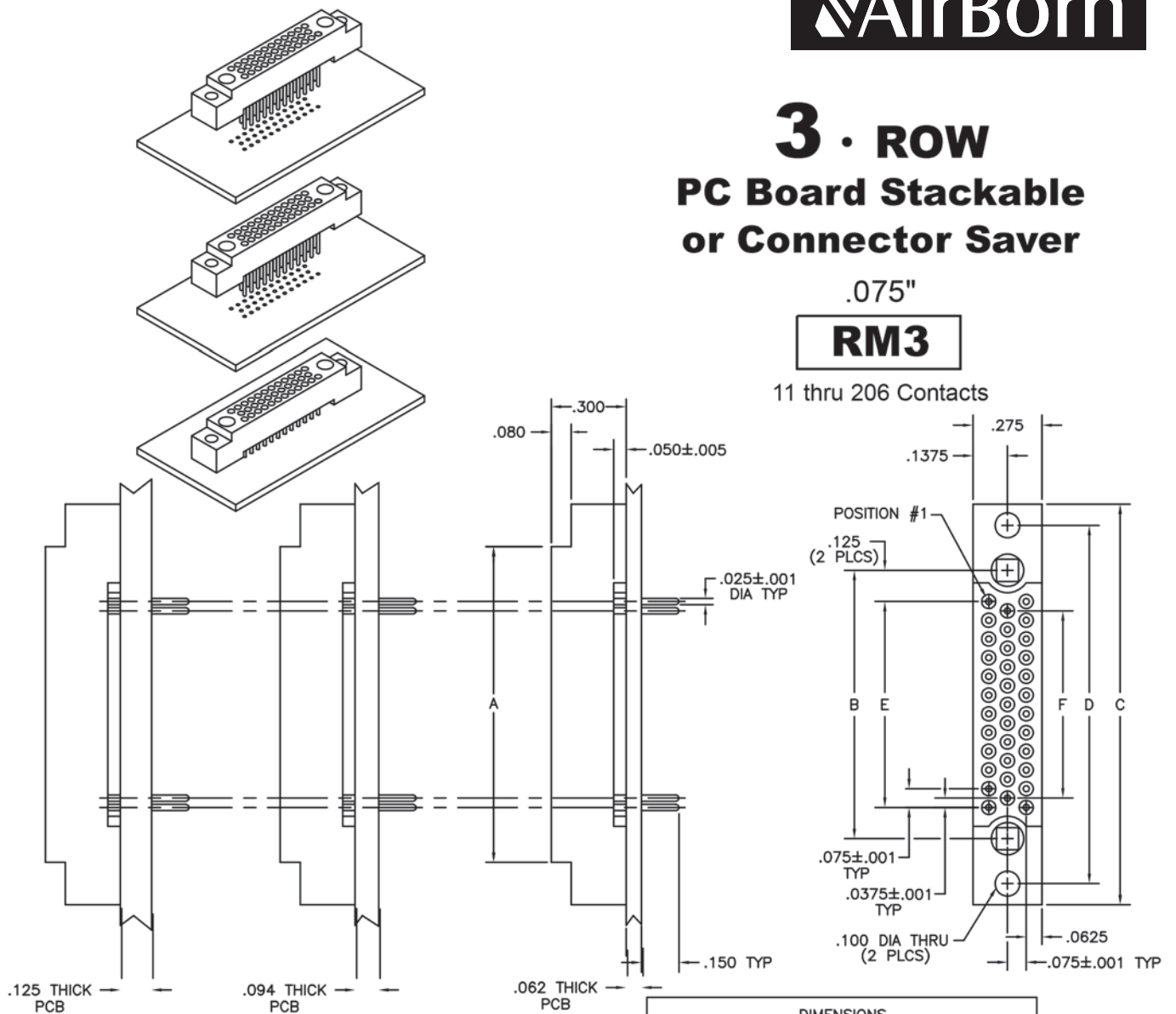


3 · ROW PC Board Stackable or Connector Saver

.075"

RM3

11 thru 206 Contacts



NOTE:
Stacking connectors cannot have mating hardware.
(-0256 indicates no hardware)

PC BOARD THICKNESS	TERMINATION LENGTH	PART NUMBER
.062	.212	RM322-035-531-0256
.094	.244	RM322-035-541-0256
.125	.275	RM322-035-551-0256
CONNECTOR SAVER	.150	RM322-035-291-0256

DIMENSIONS						
SIZE	A	B	C	D	E	F
11	.665	.475	1.005	.835	.225	.150
23	.965	.775	1.305	1.135	.525	.450
35	1.265	1.075	1.605	1.435	.825	.750
47	1.565	1.375	1.905	1.735	1.125	1.050
59	1.865	1.675	2.205	2.035	1.425	1.350
71	2.165	1.975	2.505	2.335	1.725	1.650
80	2.390	2.200	2.730	2.560	1.950	1.875
92	2.690	2.500	3.030	2.860	2.250	2.175
104	2.990	2.800	3.330	3.160	2.550	2.475
122	3.440	3.250	3.780	3.610	3.000	2.925
140	3.890	3.700	4.230	4.060	3.450	3.375
152	4.190	4.000	4.530	4.360	3.750	3.675
182	4.940	4.750	5.280	5.110	4.500	4.425
206	5.540	5.350	5.880	5.710	5.100	5.025



3 · ROW

Right Angle PTH Plug

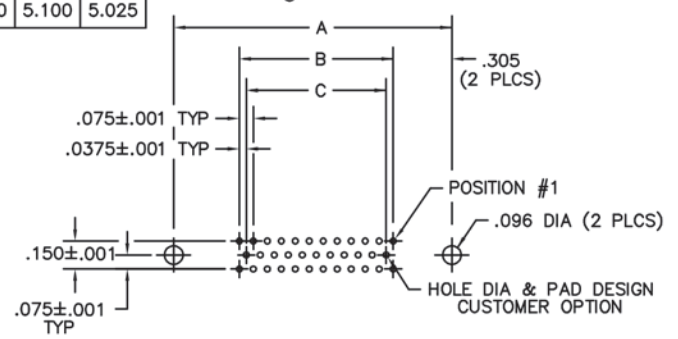
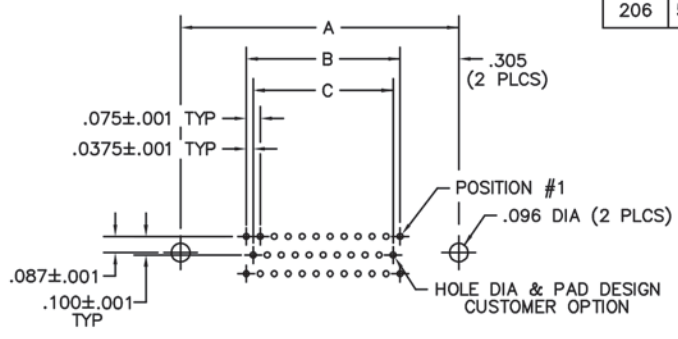
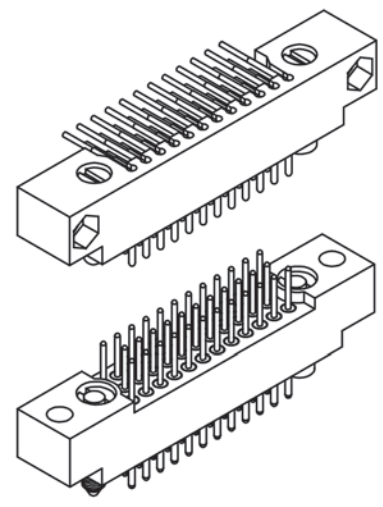
Straight PTH Plug

.075"

RM3

11 thru 206 Contacts
Recommended Board Layout

DIMENSIONS			
SIZE	A	B	C
11	.835	.225	.150
23	1.135	.525	.450
35	1.435	.825	.750
47	1.735	1.125	1.050
59	2.035	1.425	1.350
71	2.335	1.725	1.650
80	2.560	1.950	1.875
92	2.860	2.250	2.175
104	3.160	2.550	2.475
122	3.610	3.000	2.925
140	4.060	3.450	3.375
152	4.360	3.750	3.675
182	5.110	4.500	4.425
206	5.710	5.100	5.025



SIZE	CONTACT ID	SIZE	CONTACT ID
11	4 3 2 1	92	31 30 29
	7 6 5		34 33 32
	11 10 9 8		92 91 90
23	8 7 6 5 4 3 2 1	104	35 34 33
	15 14 13 12 11 10 9		38 37 36
	23 22 21 20 19 18 17 16		104 103 102
35	12 11 10	122	41 40 39
	23 22 21		81 80 79
	35 34 33		122 121 120
47	16 15 14	140	47 46 45
	31 30 29		93 92 91
	47 46 45		140 139 138
59	20 19 18	152	51 50 49
	39 38 37		101 100 99
	59 58 57		152 151 150
71	24 23 22	182	61 60 59
	47 46 45		121 120 119
	71 70 69		182 181 180
80	27 26 25	206	69 68 67
	53 52 51		137 136 135
	80 79 78		206 205 204



3 · ROW

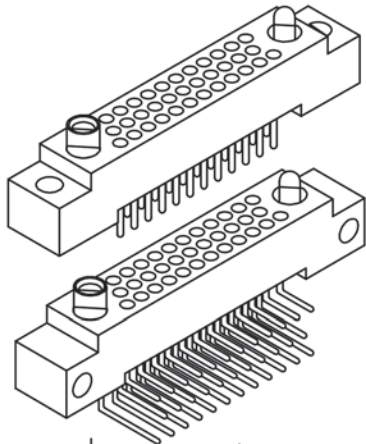
Right Angle PTH Rcpt Straight PTH Rcpt

.075"

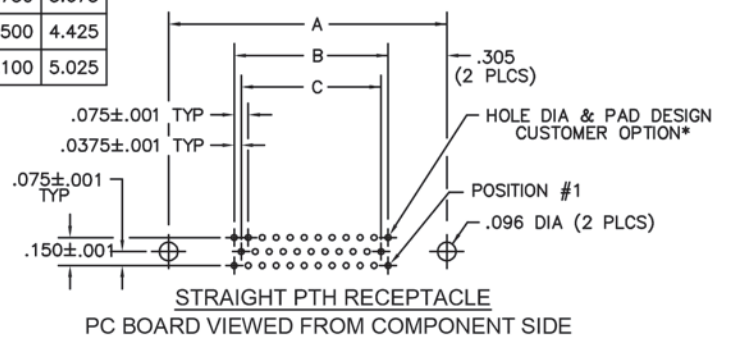
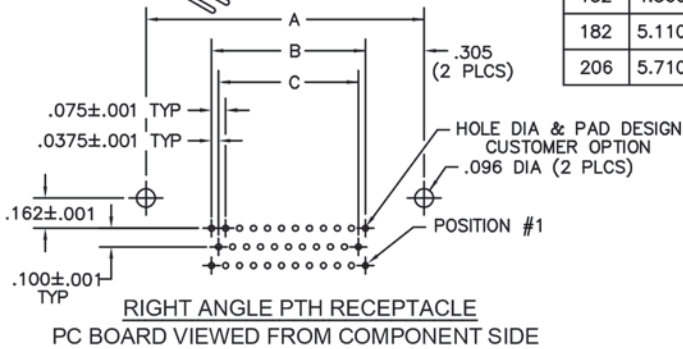
RM3

11 thru 206 Contacts

Recommended
Board Layout



DIMENSIONS			
SIZE	A	B	C
11	.835	.225	.150
23	1.135	.525	.450
35	1.435	.825	.750
47	1.735	1.125	1.050
59	2.035	1.425	1.350
71	2.335	1.725	1.650
80	2.560	1.950	1.875
92	2.860	2.250	2.175
104	3.160	2.550	2.475
122	3.610	3.000	2.925
140	4.060	3.450	3.375
152	4.360	3.750	3.675
182	5.110	4.500	4.425
206	5.710	5.100	5.025



***COMPLIANT TERMINATIONS PCB REQUIREMENTS:**

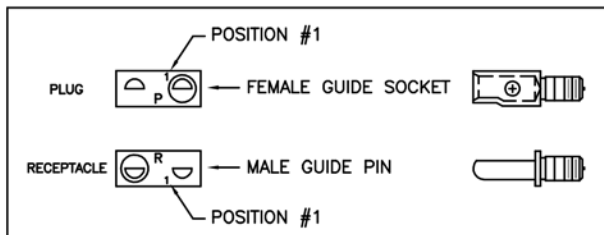
Board Material: FR-4 w/ 1.0 oz. copper
 Minimum nominal board thickness: .062"
 Drilled hole: .0319"-.0339"
 Copper plating thickness: .0010" minimum
 Tin-lead plating thickness: .0006" maximum
 Electroplated tin-lead composition: 63/37
 (Sn/Pb) Finished hole diameter: .028"±.002"

SIZE	CONTACT ID	SIZE	CONTACT ID
11	11 10 9 8 7 6 5 4 3 2 1	92	92 91 90 64 63 62 61 60 59 34 33 32 31 30 29 3 2 1
23	23 22 21 20 19 18 17 16 15 14 13 12 11 10 9 8 7 6 5 4 3 2 1	104	104 103 102 72 71 70 69 68 67 38 37 36 35 34 33 3 2 1
35	35 34 33 26 25 24 23 22 21 15 14 13 12 11 10 3 2 1	122	122 121 120 84 83 82 81 80 79 44 43 42 41 40 39 3 2 1
47	47 46 45 34 33 32 31 30 29 19 18 17 16 15 14 3 2 1	140	140 139 138 96 95 94 93 92 91 50 49 48 47 46 45 3 2 1
59	59 58 57 42 41 40 39 38 37 23 22 21 20 19 18 3 2 1	152	152 151 150 104 103 102 101 100 99 54 53 52 51 50 49 3 2 1
71	71 70 69 50 49 48 47 46 45 27 26 25 24 23 22 3 2 1	182	182 181 180 124 123 122 121 120 119 64 63 62 61 60 59 3 2 1
80	80 79 78 56 55 54 53 52 51 30 29 28 27 26 25 3 2 1	206	206 205 204 140 139 138 137 136 135 72 71 70 69 68 67 3 2 1

Polarization 2 & 3 Row

D-Shaped Guide Sets

01		09		17		25		33		41		49		57	
02		10		18		26		34		42		50		58	
03		11		19		27		35		43		51		59	
04		12		20		28		36		44		52		60	
05		13		21		29		37		45		53		61	
06		14		22		30		38		46		54		62	
07		15		23		31		39		47		55		63	
08		16		24		32		40		48		56		64	



For optimum safety, use polarization number 01-06-11-16-17-22-27 or 32 when possible. These positions will exclude entry or guide pins at both ends of connectors when an attempt is made to mate incorrectly.

Select the appropriate two digit number above and include as the last two digits of the hardware code in the part number.

Example:

Plug RM252-100-311-5501
Receptacle RM222-100-211-5501

To order polarization guide set only, see catalog page R-42. This set consists of one "D-shaped" guide pin, one "D-shaped" guide socket and two spanner nuts (#2-56 UNC thread).

To change polarization position of guide sets, order spanner nut wrench, part number TN-1680.

UNIVERSAL TEST CONNECTORS

The following test guide sets are designed to mate with any of several connectors having different polarization positions. Note that the square guide pin in test connector will enter the D-shaped socket in any of the four positions in which it may be installed. Likewise, the round guide socket in test connector will fit the D-shaped pin in any position.

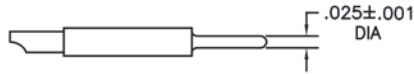
5565 CD8783		For positions 5501 thru 5516
5566 CD8783		For positions 5517 thru 5532
5567P CD8784		For positions 5533 thru 5548
5567R CD7743		For positions 5533 thru 5548
5568P CD7743		For positions 5549 thru 5564
5568R CD8784		For positions 5549 thru 5564

Hardware type shown above catalog order number.

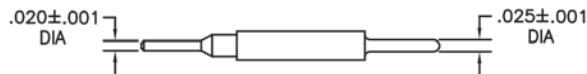
Contacts 2 & 3 Row

Pins and Sockets

PINS



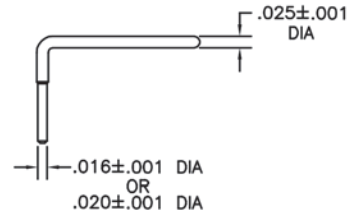
11 Pin, straight, solder cup



10 Pin, straight, dip solder, .109"
12 Pin, straight, dip solder, .140"
13 Pin, straight, dip solder, .172"
14 Pin, straight, dip solder, .250"

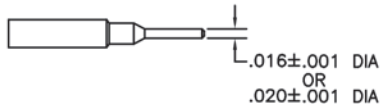


15 Pin, straight, flex circuit, .093"



31 Pin, right angle, dip solder, .109" x .020" dia
32 Pin, right angle, dip solder, .140" x .020" dia
33 Pin, right angle, dip solder, .172" x .020" dia
34 Pin, right angle, dip solder, .109" x .016" dia
35 Pin, right angle, dip solder, .140" x .016" dia
36 Pin, right angle, dip solder, .172" x .016" dia

SOCKETS



20 Socket, straight, dip solder, .109" x .020" dia
21 Socket, straight, dip solder, .140" x .020" dia
22 Socket, straight, dip solder, .172" x .020" dia
23 Socket, straight, dip solder, .250" x .020" dia
50 Socket, straight, dip solder, .140" x .016" dia
51 Socket, straight, dip solder, .172" x .016" dia



53 Socket, straight, stackable, .212" (Board: .062")
54 Socket, straight, stackable, .244" (Board: .094")
55 Socket, straight, stackable, .275" (Board: .125")



24 Socket, straight, solder cup



57 Socket, straight, crimp removable (20-22 awg)
58 Socket, straight, crimp removable (24-26 awg)
59 Socket, straight, crimp removable (28-30 awg)



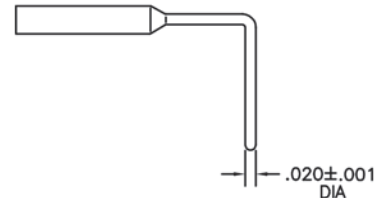
25 Socket, straight, flex circuit, .093"



29 Socket, connector saver, .150"



26 Socket, straight, wire-wrap®, .500"
27 Socket, straight, wire-wrap®, .375"
28 Socket, straight, wire-wrap®, .625"



44 Socket, right angle, dip solder, .109"
45 Socket, right angle, dip solder, .140"
46 Socket, right angle, dip solder, .172"
47 Socket, right angle, dip solder, .250"



64 Socket, straight, press-fit, .203" (Board: .093"-.125")
65 Socket, straight, press-fit, .323" (Board: .156"-.200")
66 Socket, straight, press-fit, .403" (Board: .250 or <)



Military Cross Reference Chart

M55302/190, 191, 192, 193

Rows	Series & Body Type	Number of Contacts	Type of Terminal	Hardware
2	M55302/190L RM222	10, 20, 30, 40, 50, 60, 70, 80, 90, 100	Sockets A = 241 B = 201 C = 211	X = 5500 Y = 5501 F = 2900
3	M55302/192L RM322	122 152	Sockets D = 221 E = 251 F = 271 G = 261 H = 281	S = 5900 N = 7600 L = 5100 M = 6400
2	M55302/191 RM252	10, 20, 30, 40, 50, 60, 70, 80, 90, 100	Pins A = 311 B = 321 C = 331	X = 5500 Y = 5501 F = 2900 S = 5900
3	M55302/193 RM352	122 152	Pins A = 311 B = 321 C = 331	N = 7600 L = 5100 M = 6400

Terminal Description Refer 190L, 192L

- A = Solder cup
- B = Dip terminal, .109" long
- C = Dip terminal, .140" long
- D = Dip terminal, .172" long
- E = Flex circuit, .093" long
- F = Wire wrap®, .375" long
- G = Wire wrap®, .500 long

Hardware Description Refer 190L, 192L, 191, 193

- Type X = Full round
- Type Y = "D-shaped"
- Type F = Fixed jackset
- Type S = Short turning hex jackset
- Type N = Turning hex jackset
- Type L = Turning slotted jackset
- Type M = Short turning slotted jackset

Refer 191, 193

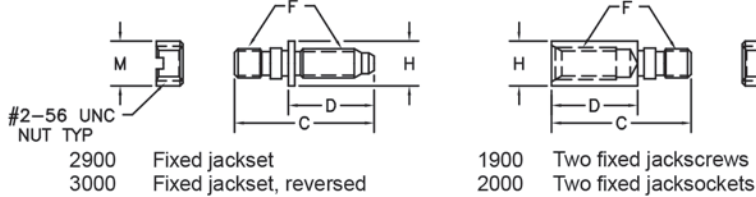
- A = Dip terminal, .109" long
- B = Dip terminal, .140" long
- C = Dip terminal, .172" long

Examples: Mating Pair

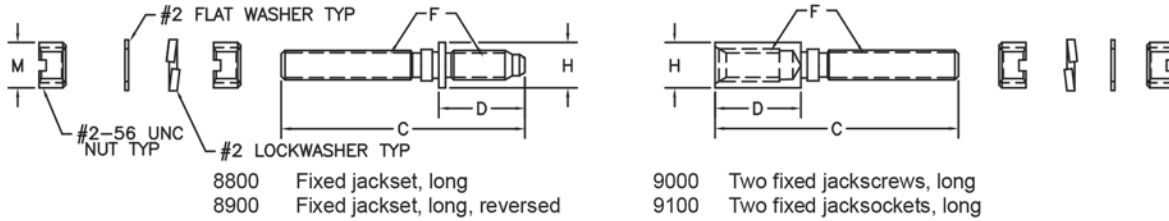
Military AirBorn	M55302/190LC100X RM222-100-211-5500	Two row receptacle, .100 socket contacts with dip terminal, .140" long in a straight thru housing with mounting ears and full round guide set.
Military AirBorn	M55302/191A100X RM252-100-311-5500	Two row plug, 100 pin contacts with dip terminals, .109" long in a right angle housing with mounting ears and full round guide set.

#2-56 Jacksets

Fixed Jacksets

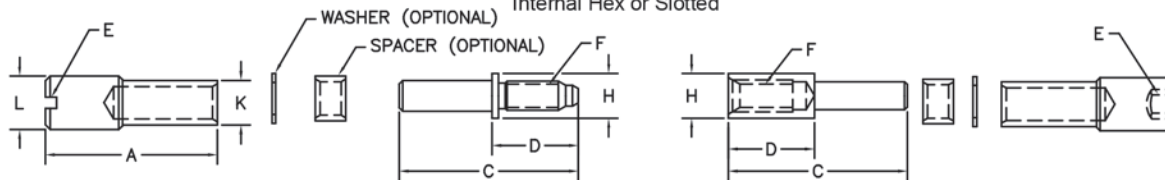


Fixed Jacksets, Long



Turning Jacksets

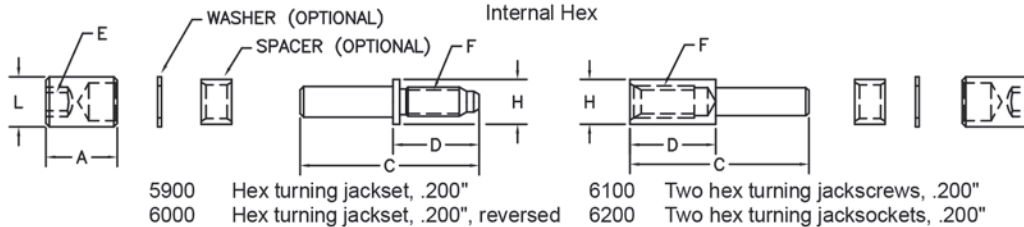
Internal Hex or Slotted



SLOTTED		HEX	
5100	Turning jackset, .700"	7200	Hex turning jackset, .490"
5200	Turning jackset, .700", reversed	7300	Hex turning jackset, .490", reversed
5300	Two turning jackscrews, .700"	7400	Two hex turning jackscrews, .490"
5400	Two turning jacksockets, .700"	7500	Two hex turning jacksockets, .490"
6400	Turning jackset, .490"	7600	Hex turning jackset, .545"
6500	Turning jackset, .490", reversed	7700	Hex turning jackset, .545", reversed
6600	Two turning jackscrews, .490"	7800	Two hex turning jackscrews, .545"
6700	Two turning jacksockets, .490"	7900	Two hex turning jacksockets, .545"
6800	Turning jackset, .545"	8000	Hex turning jackset, .700"
6900	Turning jackset, .545", reversed	8100	Hex turning jackset, .700", reversed
7000	Two turning jackscrews, .545"	8200	Two hex turning jackscrews, .700"
7100	Two turning jacksockets, .545"	8300	Two hex turning jacksockets, .700"

Low Profile Jacksets

Internal Hex



Hardware Only

HARDWARE TYPE	PART NUMBER
1900	RM000-000-000-1900
2000	RM000-000-000-2000
2900 or 3000	RM000-000-000-2900 (or -3000)
5100 or 5200	RM000-000-000-5100 (or -5200)
5300	RM000-000-000-5300
5400	RM000-000-000-5400
5900 or 6000	RM000-000-000-5900 (or -6000)
6100	RM000-000-000-6100
6200	RM000-000-000-6200
6400 or 6500	RM000-000-000-6400 (or -6500)
6600	RM000-000-000-6600
6700	RM000-000-000-6700

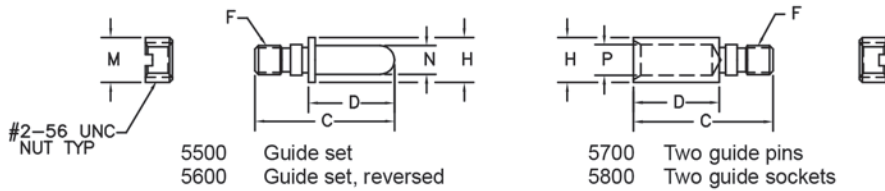
HARDWARE TYPE	PART NUMBER
6800 or 6900	RM000-000-000-6800 (or -6900)
7000	RM000-000-000-7000
7100	RM000-000-000-7100
7200 or 7300	RM000-000-000-7200 (or -7300)
7400	RM000-000-000-7400
7500	RM000-000-000-7500
7600 or 7700	RM000-000-000-7600 (or -7700)
7800	RM000-000-000-7800
7900	RM000-000-000-7900
8000 or 8100	RM000-000-000-8000 (or -8100)
8200	RM000-000-000-8200
8300	RM000-000-000-8300

Notes:

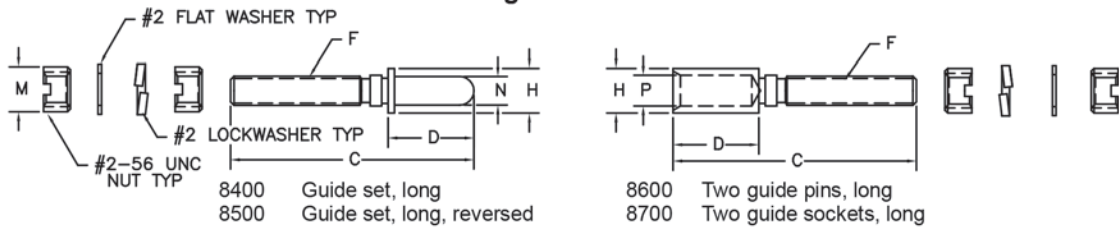
- For spanner nut wrench, order part number TN1680 (refer to page WA-9 in W-Series Catalog).
- When installing fixed jacksets, apply Loctite® to threads.

Guide Sets

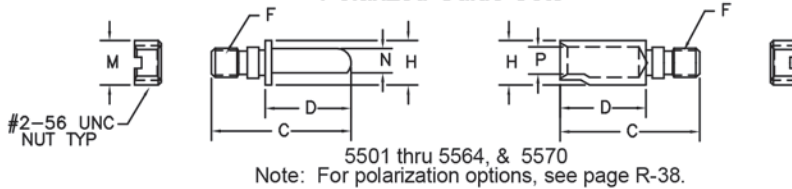
Guide Sets



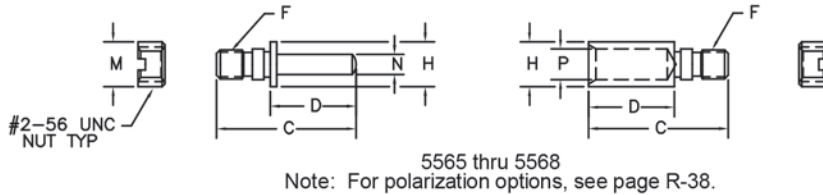
Long Guide Sets



Polarized Guide Sets



Universal Test Guide Sets



DIMENSIONS													
HARDWARE TYPE	A	C	D	E	F	H	K	L	M	N	P		
1900/2000/2900/3000	—	.390	.240	—	#2-56 UNC TH'D	.125 DIA	—	—	.125 DIA	—	—		
5100 THRU 5400	.700	.750		.031 x .031 SLOT			—	.125 DIA	.156 DIA	—	—	—	—
5500 THRU 5800	—	—		—			—	—	—	—	.125 DIA	.080 DIA	.088 DIA
5501 THRU 5564	—	.390		—			—	—	—	—	.125 DIA	.068	.076
5565 THRU 5568	—	—		—			—	—	—	—	—	.056 SQ	.088 DIA
5900 THRU 6200	.200	.500		5/64 INT HEX			—	—	.140 DIA	—	—	—	—
6400 THRU 6700	.490	.750		.031 x .031 SLOT			—	—	—	—	—	—	—
6800 THRU 7100	.545			—			—	—	—	—	—	—	—
7200 THRU 7500	.490			5/64 INTERNAL HEX			—	—	.125 DIA	.156 DIA	—	—	—
7600 THRU 7900	.545			—			—	—	—	—	—	—	—
8000 THRU 8300	.700			—			—	—	—	—	—	—	—
8400 THRU 8700	—			.680			—	—	—	—	—	.125 DIA	.080 DIA
8800 THRU 9100	—	—	—		—	—	—	—	—	—			

Hardware Only

HARDWARE TYPE	PART NUMBER
5500 or 5600	RM000-000-000-5500 (or -5600)
5501 - 5532	RM000-000-000-5501 (thru -5532)
5533 - 5548	RM000-000-000-5533 (thru -5548)
5549 - 5564	RM000-000-000-5549 (thru -5564)
5565 or 5566	RM000-000-000-5565 (or -5566)
5568	RM000-000-000-5568
5567	RM000-000-000-5567

HARDWARE TYPE	PART NUMBER
5570	RM000-000-000-5570
5700	RM000-000-000-5700
5800	RM000-000-000-5800
8400 or 8500	RM000-000-000-8400 (or -8500)
8600	RM000-000-000-8600
8700	RM000-000-000-8700

To order connector without hardware, place "-0256" in hardware designation area of catalog number

Example: RM322-152-221-0256

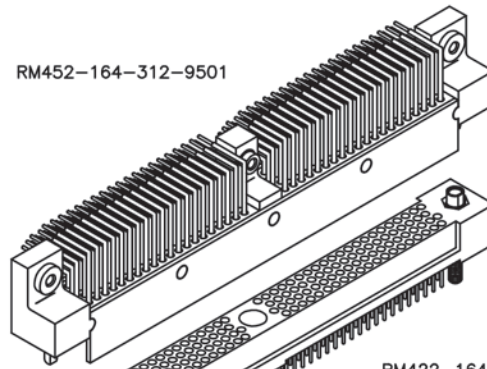
4 · ROW Daughterboard to Motherboard or Chassis

.075"

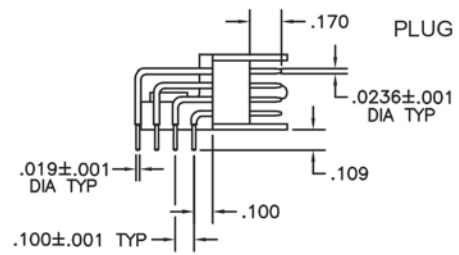
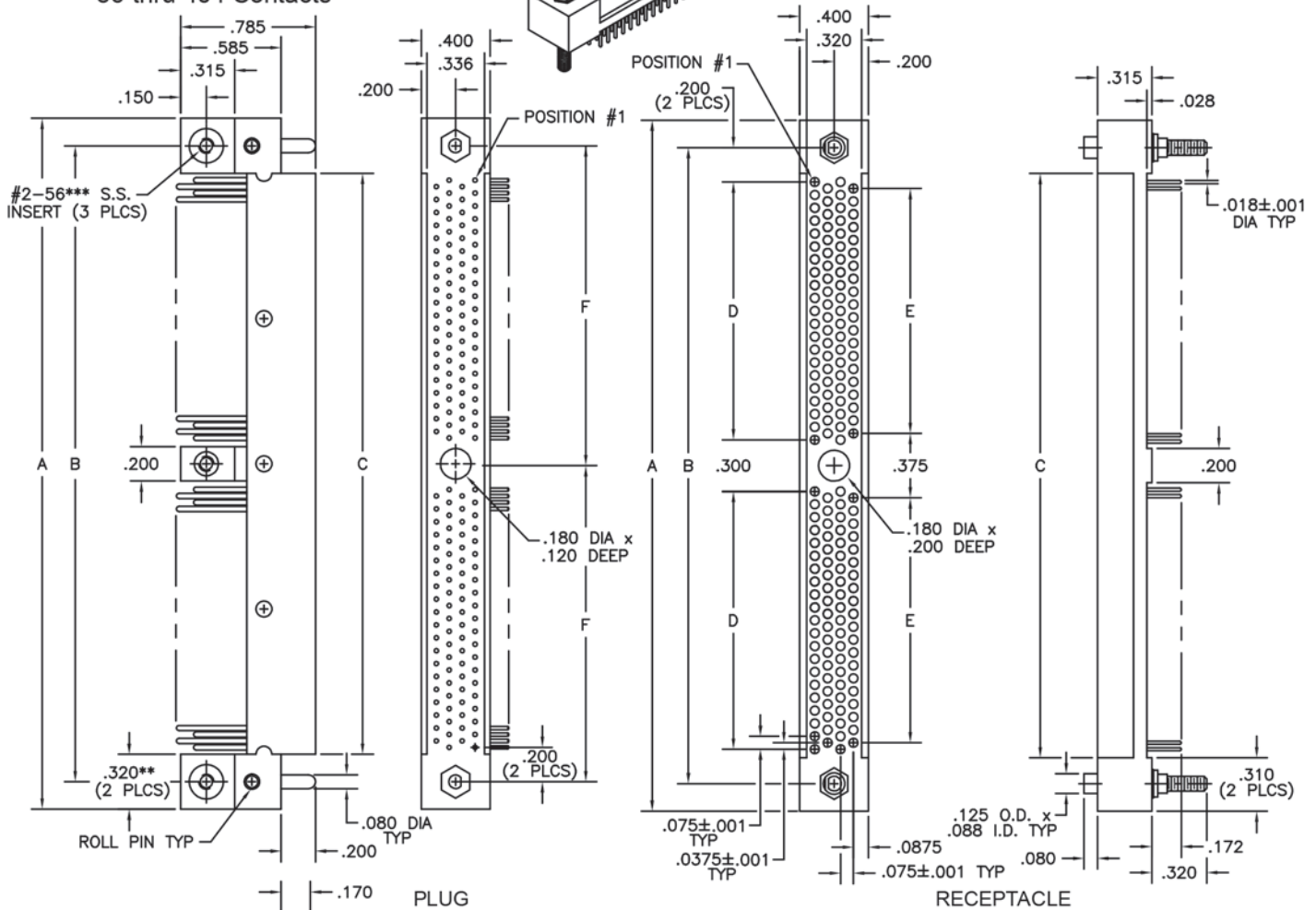
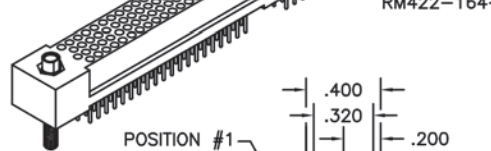
RM4

86 thru 404 Contacts

RM452-164-312-9501



RM422-164-832-9601



SIZE	DIMENSIONS							
	A		B	C		D	E	F
	PLUG	RCPT		PLUG	RCPT			
86*	2.255	2.295	1.975	1.655	1.675	1.575	1.500	-
110*	2.745	2.745	2.425	2.105	2.125	2.025	1.950	-
164	4.020	4.020	3.700	3.380	3.400	1.500	1.425	1.850
196	4.620	4.620	4.300	3.980	4.000	1.800	1.725	2.150
204	4.770	4.770	4.450	4.130	4.150	1.875	1.800	2.225
220	5.070	5.070	4.750	4.430	4.450	2.025	1.950	2.375
250*	5.370	5.370	5.050	4.730	4.750	4.650	4.575	-
276	6.120	6.120	5.800	5.480	5.500	2.550	2.475	2.900
300	6.570	6.570	6.250	5.930	5.950	2.775	2.700	3.125
404	8.520	8.520	8.200	7.880	7.900	3.750	3.675	4.100

NOTES:

- * = Single section, no center mounting hole
- ** = .280" for 86 position
- *** = #4-40 for 404 position



PLUG: RM452-164-312-9501
 RECEPTACLE: RM422-164-832-9601
 XXXXX-XXX-XXX-XXXX

PLUG

RECEPTACLE

SERIES

RM .075" Screw Machine PC Connector | RM .075" Screw Machine PC Connector

BODY

4	4-Row	4	4-Row
5	BODY STYLE: Plug, right angle, with mounting ears	2	BODY STYLE: Receptacle, straight, without mounting ears
2	BODY MATERIAL: Polyphenylene sulfide (PPS)	2	BODY MATERIAL: Polyphenylene sulfide (PPS)

SIZE

086, 110, 164, 196, 204, 220, 250, 276, 300, 404 | 086, 110, 164, 196, 204, 220, 250, 276, 300, 404

CONTACTS

TYPE CONTACTS/TERMINATIONS:		TYPE CONTACTS/TERMINATIONS:	
31	Pin, right angle, dip solder, .109" x .019" dia	75	Socket, straight, dip solder, .250" x .018" dia
32	Pin, right angle, dip solder, .140" x .019" dia	76	Socket, straight, solder cup
33	Pin, right angle, dip solder, .172" x .019" dia	77	Socket, straight, flex, .093" x .017" dia
34	Pin, right angle, dip solder, .250" x .019" dia	78	Socket, straight, wire wrap [®] , .500" x .018" sq
		79	Socket, straight, wire wrap [®] , .375" x .018" sq
		81	Socket, straight, dip solder, .109" x .018" dia
		82	Socket, straight, dip solder, .140" x .018" dia
		83	Socket, straight, dip solder, .172" x .018" dia
		87	Socket, straight, press-fit, .188" (Board: .093" - .125" thk)
		88	Socket, straight, press-fit, .308" (Board: .156" - .200" thk)
		89	Socket, straight, press-fit, .388" (Board: .250"+ thk)

PLATING OPTIONS:		PLATING OPTIONS:	
1	Gold plated termination	1	Gold plated termination
2	Pre-tinned termination, SnPb alloy <input checked="" type="checkbox"/>	2	Pre-tinned termination, SnPb alloy (dip solder options only) <input checked="" type="checkbox"/>
3	Pre-tinned termination, SAC305 alloy	3	Pre-tinned termination, SAC305 alloy (dip solder options only)

HARDWARE

STYLE OF HARDWARE:		STYLE OF HARDWARE:	
0256	None	0256	None
83	Fixed jackset, reversed, installed	82	Hex turning jackset, reversed, installed, .200 knob
90	Guide pins, full round, installed	83	Fixed jackset, reversed, installed, #2-56 x .247" thd ext
93	Fixed jackset, installed	84	Fixed jackset, reversed, installed, #2-56 x .320" thd ext
95	Guide pins, polarized, unassembled	91	Guide sockets, full round, installed, #2-56 x .247" thd ext
9501 - 9536	Guide pins, polarized, installed	92	Hex turning jackset, installed, .200 knob
99	Guide pins, universal, installed	93	Fixed jackset, installed, #2-56 x .247" thd ext
		94	Fixed jackset, installed, #2-56 x .320" thd ext
		96	Guide sockets, polarized, unassembled, #2-56 x .320" thd ext
		9601 - 9636	Guide sockets, polarized, installed, #2-56 x .320" thd ext
		97	Guide sockets, polarized, unassembled, #2-56 x .247" thd ext
		9701 - 9736	Guide sockets, polarized, installed, #2-56 x .247" thd ext
		98	Guide sockets, universal, installed, #2-56 x .247" thd ext

POLARIZATION:		POLARIZATION	
00	None	00	None
01	thru 36 are special identifiers, see page R-57	01	thru 36 are special identifiers, see page R-57

= Option not RoHS compliant

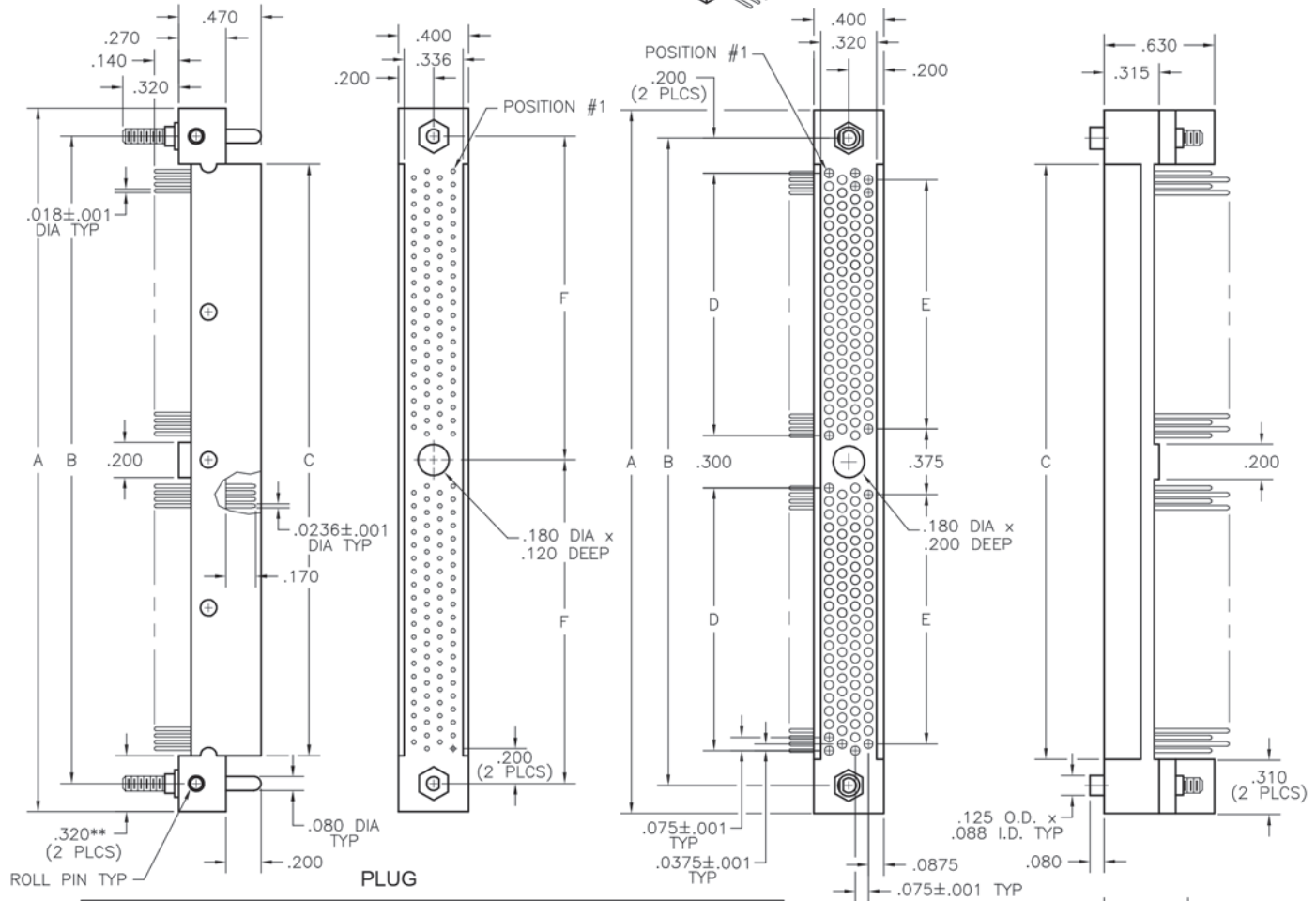
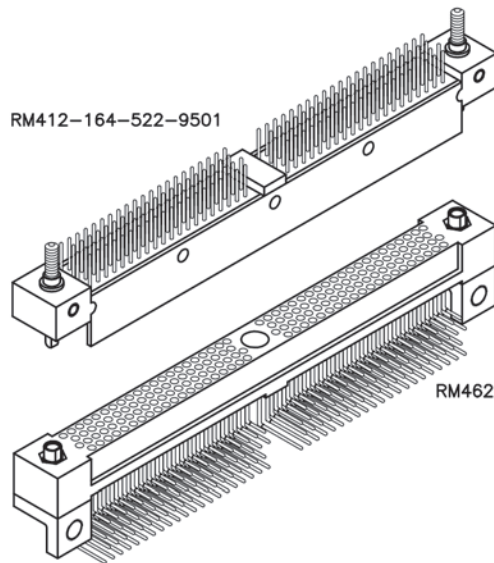


4 · ROW Motherboard or Chassis to Daughterboard

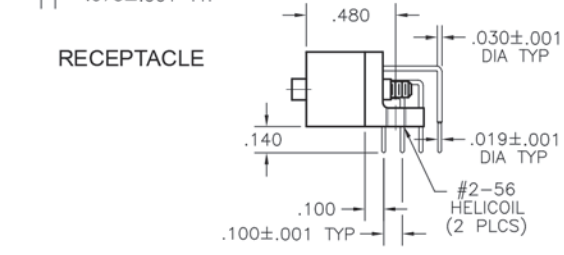
.075"

RM4

86 thru 404 Contacts



SIZE	DIMENSIONS							
	A		B	C		D	E	F
	PLUG	RCPT		PLUG	RCPT			
86*	2.255	2.295	1.975	1.655	1.675	1.575	1.500	—
110*	2.745	2.745	2.425	2.105	2.125	2.025	1.950	—
164	4.020	4.020	3.700	3.380	3.400	1.500	1.425	1.850
196	4.620	4.620	4.300	3.980	4.000	1.800	1.725	2.150
204	4.770	4.770	4.450	4.130	4.150	1.875	1.800	2.225
220	5.070	5.070	4.750	4.430	4.450	2.025	1.950	2.375
250*	5.370	5.370	5.050	4.730	4.750	4.650	4.575	—
276	6.120	6.120	5.800	5.480	5.500	2.550	2.475	2.900
300	6.570	6.570	6.250	5.930	5.950	2.775	2.700	3.125
404	8.520	8.520	8.200	7.880	7.900	3.750	3.675	4.100



NOTES:
 * = Single section, no center mounting hole
 ** = .280" for 86 position



PLUG: RM412-164-522-9501
 RECEPTACLE: RM462-164-852-9601
 XXXXX-XXX-XXX-XXXX

PLUG

RECEPTACLE

SERIES	
RM .075" Screw Machine PC Connector	RM .075" Screw Machine PC Connector

BODY	
4 4-Row	4 4-Row
BODY STYLE: 1 Plug, straight, without mounting ears	BODY STYLE: 6 Receptacle, right angle, with metal mount brackets
BODY MATERIAL: 2 Polyphenylene sulfide (PPS)	BODY MATERIAL: 2 Polyphenylene sulfide (PPS)

SIZE	
086, 110, 164, 196, 204, 220, 250, 276, 300, 404	086, 110, 164, 196, 204, 220, 250, 276, 300, 404

CONTACTS	
TYPE CONTACTS/TERMINATIONS: 17 Pin, straight, solder cup 40 Pin, straight, flex .093" x .017" dia 51 Pin, straight, dip solder, .109" x .018" dia 52 Pin, straight, dip solder, .140" x .018" dia 53 Pin, straight, dip solder, .172" x .018" dia 54 Pin, straight, dip solder, .250" x .018" dia	TYPE CONTACTS/TERMINATIONS: 84 Socket, right angle, dip solder, .109" x .019" dia 85 Socket, right angle, dip solder, .140" x .019" dia 86 Socket, right angle, dip solder, .172" x .019" dia
PLATING OPTIONS: 1 Gold plated termination 2 Pre-tinned termination, SnPb alloy (dip solder options only) <input checked="" type="checkbox"/> 3 Pre-tinned termination, SAC305 alloy (dip solder options only)	PLATING OPTIONS: 1 Gold plated termination 2 Pre-tinned termination, SnPb alloy <input checked="" type="checkbox"/> 3 Pre-tinned termination, SAC305 alloy

HARDWARE	
STYLE OF HARDWARE: 0256 None 82 Hex turning jackset, reversed, installed, .200 knob 83 Fixed jackset, reversed, installed, #2-56 x .247" thd ext 84 Fixed jackset, reversed, installed, #2-56 x .320" thd ext 90 Guide pins, full round, installed, #2-56 x .320" thd ext 92 Hex turning jackset, installed, .200 knob 93 Fixed jackset, installed, #2-56 x .247" thd ext 94 Fixed jackset, installed, #2-56 x .320" thd ext 95 Guide pins, polarized, unassembled, #2-56 x .320" thd ext 9501 - 9536 Guide pins, polarized, installed, #2-56 x .320" thd ext 99 Guide pins, universal, installed #2-56 x .320" thd ext	STYLE OF HARDWARE: 0256 None 82 Hex turning jackset, reversed, installed, .200 knob 83 Fixed jackset, reversed, installed 91 Guide sockets, full round, installed 92 Hex turning jackset, installed, .200 knob 93 Fixed jackset, installed 96 Guide sockets, polarized, unassembled 9601 - 9636 Guide sockets, polarized, installed 97 Guide sockets, polarized, unassembled 9701 - 9736 Guide sockets, polarized, installed 98 Guide sockets, universal, installed Note: Includes mounting bracket when right angle contacts are supplied
POLARIZATION: 00 None 01 thru 36 are special identifiers, see page R-57	POLARIZATION 00 None 01 thru 36 are special identifiers, see page R-57

= Option not RoHS compliant



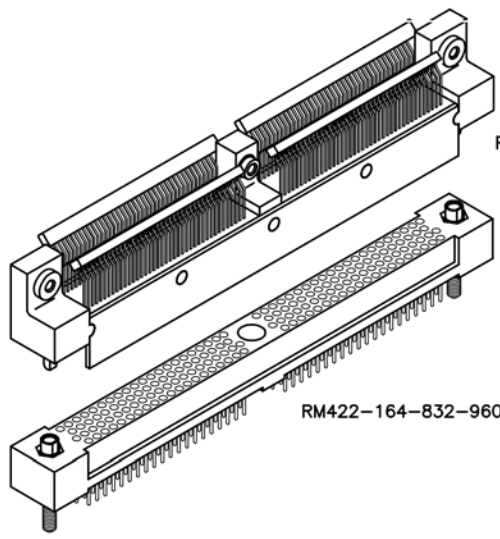
4 · ROW Daughterboard to Motherboard or Chassis

.075"

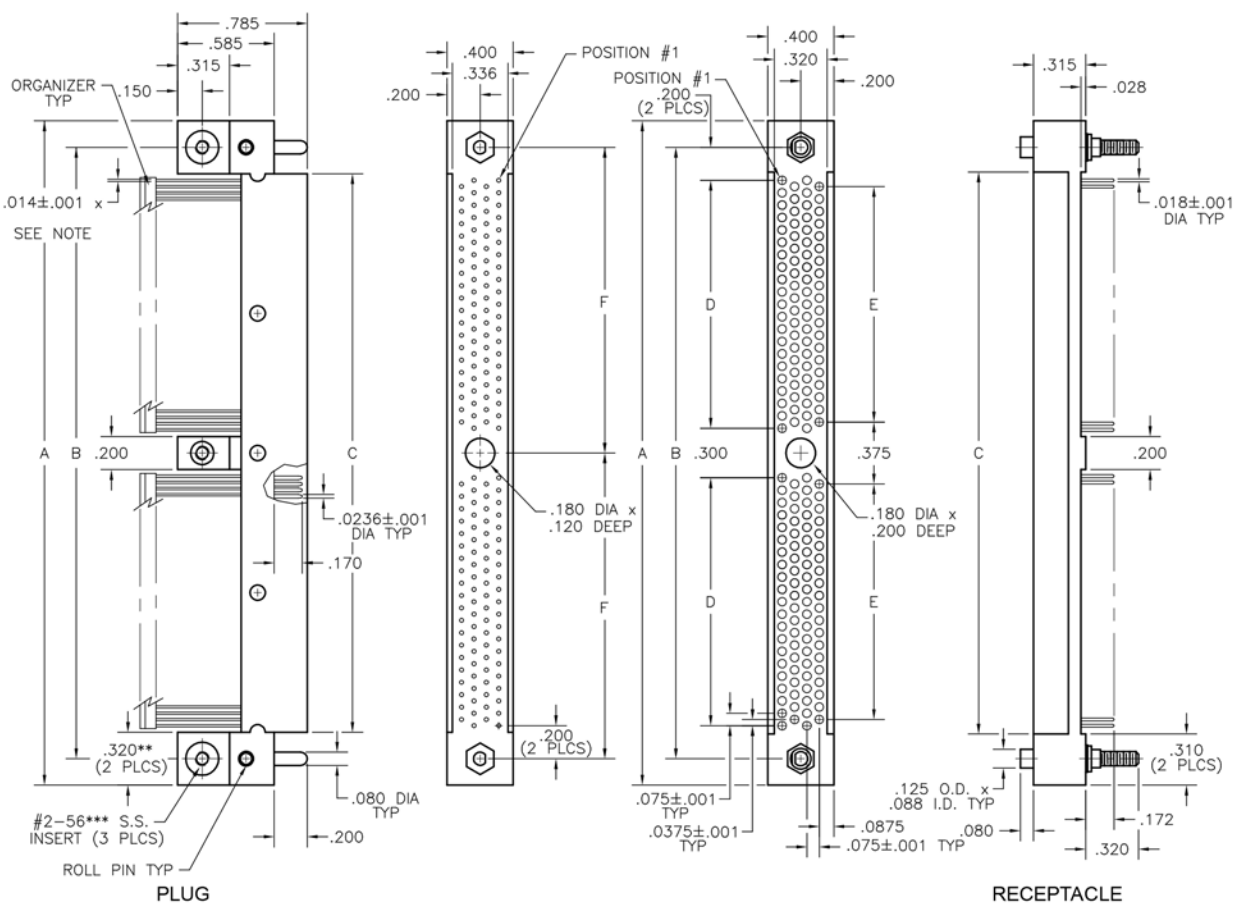
RM4

86 thru 404 Contacts

RM412-164-192-9501-933



RM422-164-832-9601



SIZE	DIMENSIONS							
	A		B	C		D	E	F
	PLUG	RCPT		PLUG	RCPT			
86*	2.255	2.295	1.975	1.655	1.675	1.575	1.500	-
110*	2.745	2.745	2.425	2.105	2.125	2.025	1.950	-
164	4.020	4.020	3.700	3.380	3.400	1.500	1.425	1.850
196	4.620	4.620	4.300	3.980	4.000	1.800	1.725	2.150
204	4.770	4.770	4.450	4.130	4.150	1.875	1.800	2.225
220	5.070	5.070	4.750	4.430	4.450	2.025	1.950	2.375
250*	5.370	5.370	5.050	4.730	4.750	4.650	4.575	-
276	6.120	6.120	5.800	5.480	5.500	2.550	2.475	2.900
300	6.570	6.570	6.250	5.930	5.950	2.775	2.700	3.125
404	8.520	8.520	8.200	7.880	7.900	3.750	3.675	4.100

NOTES:
 * = Single section, no center mounting hole.
 ** = .280" for 86 position
 *** = Insert is #4-40 for size 404.
 Refer to SMT Configuration Chart (R-56) for available options.



PLUG: RM412-164-192-9501-933
 RECEPTACLE: RM422-164-832-9601
 XXXXX-XXX-XXX-XXXX-XXX

PLUG

RECEPTACLE

SERIES

RM .075" Screw Machine PC Connector | RM .075" Screw Machine PC Connector

BODY

4	4-Row	4	4-Row
BODY STYLE:		BODY STYLE:	
1	Plug, straight, with mounting ears	2	Receptacle, straight, without mounting ears
BODY MATERIAL:		BODY MATERIAL:	
2	Polyphenylene sulfide (PPS)	2	Polyphenylene sulfide (PPS)

SIZE

086, 110, 164, 196, 204, 220, 250, 276, 300, 404 | 086, 110, 164, 196, 204, 220, 250, 276, 300, 404

CONTACTS

TYPE CONTACTS/TERMINATIONS:		TYPE CONTACTS/TERMINATIONS:	
19	Pin, SMT, .014" x .007" tail, scored for organizer removal (see R-56)	75	Socket, straight, dip solder, .250" x .018" dia
39	Pin, SMT, .014" x .007" tail, unscored	76	Socket, straight, solder cup
		77	Socket, straight, flex, .093" x .017" dia
		78	Socket, straight, wire wrap [®] , .500" x .018" sq
		79	Socket, straight, wire wrap [®] , .375" x .018" sq
		81	Socket, straight, dip solder, .109" x .018" dia
		82	Socket, straight, dip solder, .140" x .018" dia
		83	Socket, straight, dip solder, .172" x .018" dia
		87	Socket, straight, press-fit, .188" (Board: .093" - .125" thk)
		88	Socket, straight, press-fit, .308" (Board: .156" - .200" thk)
		89	Socket, straight, press-fit, .388" (Board: .250"+ thk)

PLATING OPTIONS:		PLATING OPTIONS:	
2	Pre-tinned termination, SnPb alloy <input checked="" type="checkbox"/>	1	Gold plated termination
3	Pre-tinned termination, SAC305 alloy	2	Pre-tinned termination, SnPb alloy (dip solder options only) <input checked="" type="checkbox"/>
		3	Pre-tinned termination, SAC305 alloy (dip solder options only)

HARDWARE

STYLE OF HARDWARE:		STYLE OF HARDWARE:	
0256	None	0256	None
83	Fixed jackset, reversed, installed	82	Hex tuning jackset, reversed, installed, .200 knob
90	Guide pins, full round, installed	83	Fixed jackset, reversed, installed, #2-56 x .247" thd ext
93	Fixed jackset, installed	84	Fixed jackset, reversed, installed, #2-56 x .320" thd ext
95	Guide pins, polarized, unassembled	91	Guide sockets, full round, installed, #2-56 x .247" thd ext
9501 - 9536	Guide pins, polarized, installed	92	Hex tuning jackset, installed, .200 knob
99	Guide pins, universal, installed	93	Fixed jackset, installed, #2-56 x .247" thd ext
		94	Fixed jackset, installed, #2-56 x .320" thd ext
		96	Guide sockets, polarized, unassembled, #2-56 x .320" thd ext
		9601 - 9636	Guide sockets, polarized, installed, #2-56 x .320" thd ext
		97	Guide sockets, polarized, unassembled, #2-56 x .247" thd ext
		9701 - 9736	Guide sockets, polarized, installed, #2-56 x .247" thd ext
		98	Guide sockets, universal, installed, #2-56 x .247" thd ext

POLARIZATION:		POLARIZATION	
00	None	00	None
01	thru 36 are special identifiers, see page R-57	01	thru 36 are special identifiers, see page R-57

OPTIONS

9XX SMT configuration code, see page R-56

= Option not RoHS compliant



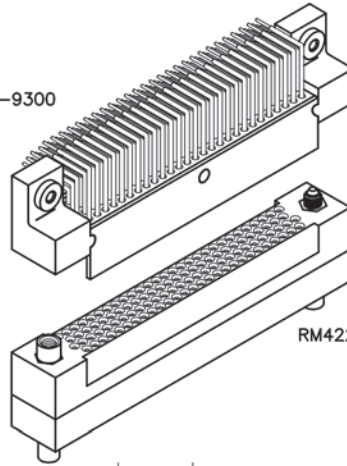
4 · ROW Cable or Board to Crimp Removable

.075"

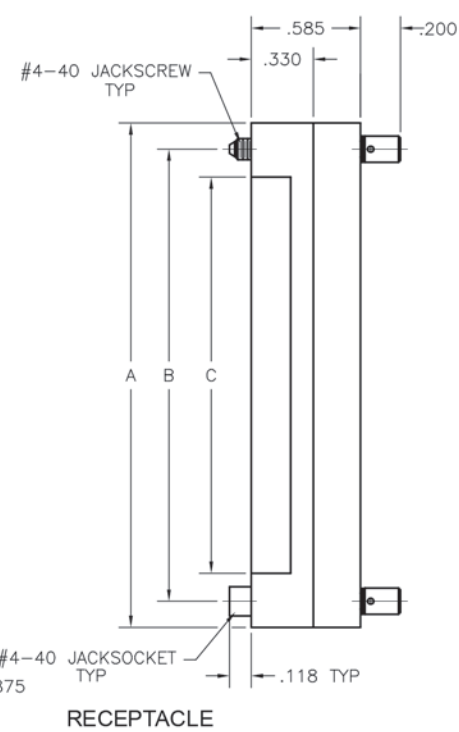
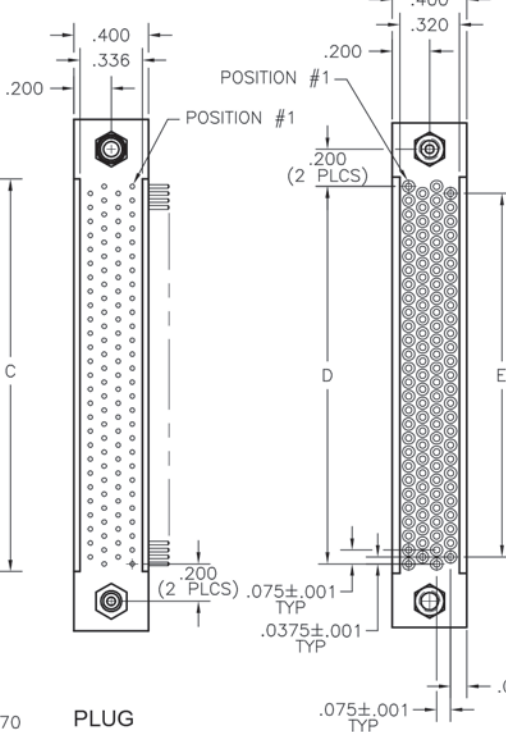
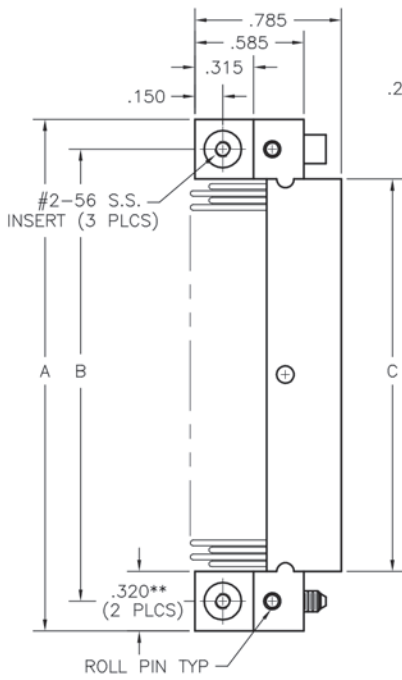
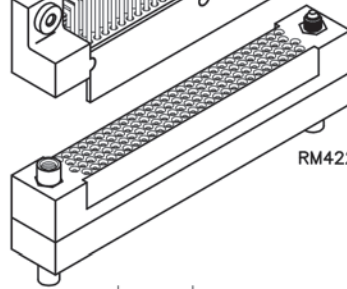
RM4

86 & 110 Contacts

RM452-110-312-9300

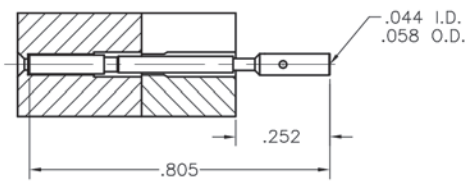
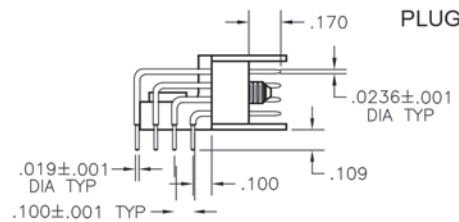


RM422-110-581-9200

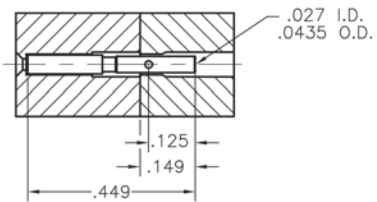


PLUG

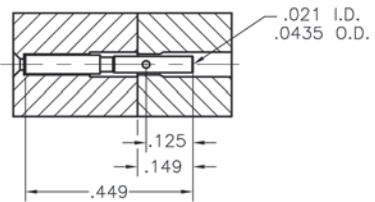
RECEPTACLE



20-22 AWG



24-26 AWG



28-30 AWG

NOTES:
* = Single section, no center mounting hole.
** = .280" for 86 position
When using crimp contacts with 20 gage barrel, barrel must be cut off prior to removing contact from connector body.

CRIMP REMOVABLE CONTACTS	
SIZE	PART NUMBER
20-22 AWG	RM400-000-571-0000
24-26 AWG	RM400-000-581-0000
28-30 AWG	RM400-000-591-0000

SIZE	DIMENSIONS		C		D	E
	A	B	PLUG	RCPT		
86*	2.255	1.975	1.655	1.675	1.575	1.500
110*	2.745	2.425	2.105	2.125	2.025	1.950



PLUG: RM452-110-312-9300
 RECEPTACLE: RM422-110-581-9200
 XXXXX-XXX-XXX-XXXX

PLUG

RECEPTACLE

SERIES	
RM .075" Screw Machine PC Connector	RM .075" Screw Machine PC Connector

BODY	
4 4-Row	4 4-Row
BODY STYLE: 5 Plug, right angle, with mounting ears	BODY STYLE: 2 Receptacle, straight, without mounting ears
BODY MATERIAL: 2 Polyphenylene sulfide (PPS)	BODY MATERIAL: 2 Polyphenylene sulfide (PPS)

SIZE	
086, 110	086, 110

CONTACTS	
TYPE CONTACTS/TERMINATIONS: 31 Pin, right angle, dip solder, .109" x .019" dia 32 Pin, right angle, dip solder, .140" x .019" dia 33 Pin, right angle, dip solder, .172" x .019" dia 34 Pin, right angle, dip solder, .250" x .019" dia	TYPE CONTACTS/TERMINATIONS: 00 Contacts not supplied 57 Socket, straight, crimp removable (20-22 AWG)* 58 Socket, straight, crimp removable (24-26 AWG)* 59 Socket, straight, crimp removable (28-30 AWG)*
PLATING OPTIONS: 1 Gold plated termination 2 Pre-tinned termination, SnPb alloy <input checked="" type="checkbox"/> 3 Pre-tinned termination, SAC305 alloy	PLATING OPTIONS: 0 No plating (use with Contact Option "00" only) 1 Gold plated termination

HARDWARE	
STYLE OF HARDWARE: 0256 None 83 Fixed jackset, reversed, installed 90 Guide pins, full round, installed 93 Fixed jackset, installed 95 Guide pins, polarized, unassembled 9501 - 9536 Guide pins, polarized, installed 99 Guide pins, universal, installed	STYLE OF HARDWARE: 0256 None 82 Hex turning jackset, reversed, installed, .200 knob 91 Guide sockets, full round, installed 92 Hex turning jackset, installed, .200" knob 96 Guide sockets, polarized, unassembled 9601 - 9636 Guide sockets, polarized, installed 98 Guide sockets, universal, installed
POLARIZATION: 00 None 01 thru 36 are special identifiers, see page R-57	POLARIZATION 00 None 01 thru 36 are special identifiers, see page R-57

- * Full compliment of crimp removable sockets packaged with connectors
1. Crimp tool - AirBorn part number: CDG4601, Mil Spec number M22520/2-01
 2. Crimp positioner - AirBorn part number: CDG4602 (24-26 AWG and 28-30 AWG)
CDG4603 (20-22 AWG)
 3. Crimp removal tool - AirBorn part number: CDG8161 (All AWGs)
 4. Crimp contact part number on previous page.

= Option not RoHS compliant

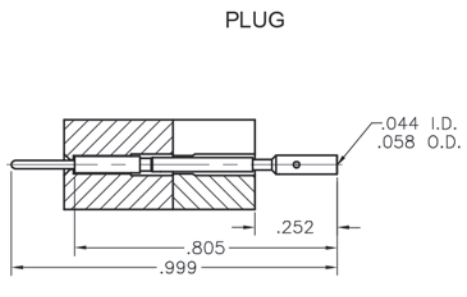
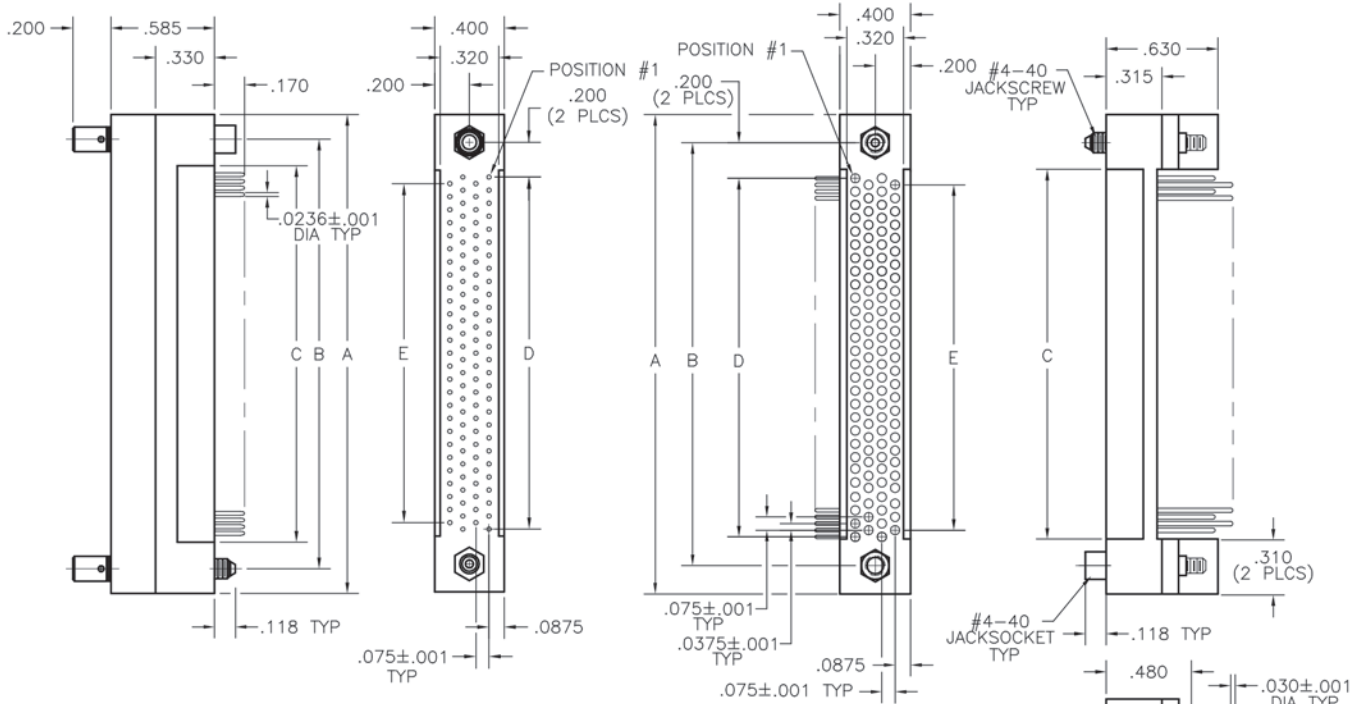
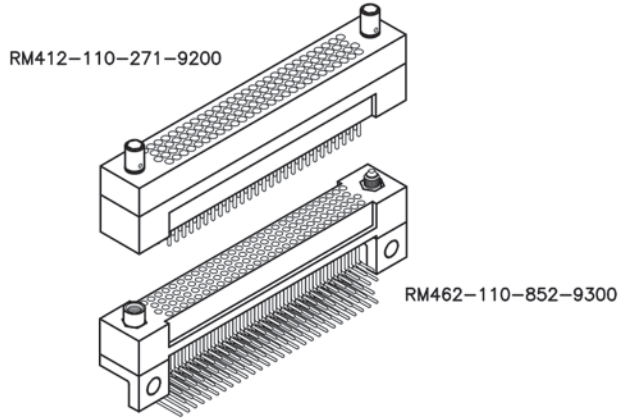


4 · ROW Crimp Removable to Board

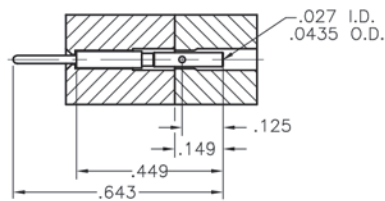
.075"

RM4

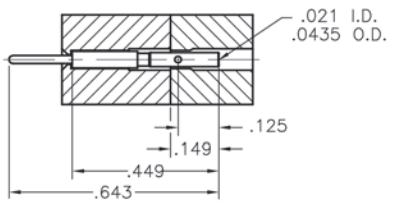
86 & 110 Contacts



20-22 AWG



24-26 AWG



28-30 AWG

NOTE: When using crimp contacts with 20 gage barrel, barrel must be cut off prior to removing contact from connector body.

CRIMP REMOVABLE CONTACTS	
SIZE	PART NUMBER
20-22 AWG	RM400-000-261-0000
24-26 AWG	RM400-000-271-0000
28-30 AWG	RM400-000-281-0000

SIZE	DIMENSIONS					
	A	B	C		D	E
			PLUG	RCPT		
86	2.255	1.975	1.655	1.675	1.575	1.500
110	2.745	2.425	2.105	2.125	2.025	1.950



PLUG: RM412-110-271-9200
 RECEPTACLE: RM462-110-852-9300
 XXXXX-XXX-XXX-XXXX

PLUG

RECEPTACLE

SERIES

RM .075" Screw Machine PC Connector | RM .075" Screw Machine PC Connector

BODY

4	4-Row	4	4-Row
BODY STYLE: 1 Plug, straight, without mounting ears		BODY STYLE: 6 Receptacle, right angle, with mounting ears	
BODY MATERIAL: 2 Polyphenylene sulfide (PPS)		BODY MATERIAL: 2 Polyphenylene sulfide (PPS)	

SIZE

086, 110 | 086, 110

CONTACTS

TYPE CONTACTS/TERMINATIONS:		TYPE CONTACTS/TERMINATIONS:	
00	Contacts not supplied	84	Socket, right angle, dip solder, .109" x .019" dia
26	Pin, straight, crimp removable (20-22 AWG)*	85	Socket, right angle, dip solder, .140" x .019" dia
27	Pin, straight, crimp removable (24-26 AWG)*	86	Socket, right angle, dip solder, .172" x .019" dia
28	Pin, straight, crimp removable (28-30 AWG)*		

PLATING OPTIONS:		PLATING OPTIONS:	
0	No plating (use with Contact Option "00" only)	1	Gold plated termination
1	Gold plated termination	2	Pre-tinned termination, SnPb alloy <input checked="" type="checkbox"/>
		3	Pre-tinned termination, SAC305 alloy

HARDWARE

STYLE OF HARDWARE:		STYLE OF HARDWARE:	
0256	None	0256	None
82	Hex turning jackset, reversed, installed, .200" knob	82	Hex turning jackset, reversed, installed, .200 knob
83	Fixed jackset, reversed, installed,	83	Fixed jackset, reversed, installed, #2-56 x .247 thd ext
83	Fixed jackset, reversed, installed,	84	Fixed jackset, reversed, installed, #2-56 x .320 thd ext
90	Guide pins, full round, installed	91	Guide sockets, full round, installed, #2-56 x .247" thd ext
92	Hex turning jackset, installed, .200" knob	92	Hex turning jackset, installed, .200 knob
93	Fixed jackset, installed	93	Fixed jackset, installed, #2-56 x .247" thd ext
95	Guide pins, polarized, unassembled	94	Fixed jackset, installed, #2-56 x .320" thd ext
9501 - 9536	Guide pins, polarized, installed	96	Guide sockets, polarized, unassembled, #2-56 x .320" thd ext
99	Guide pins, universal, installed	9601 - 9636	Guide sockets, polarized, installed, #2-56 x .320" thd ext
		97	Guide sockets, polarized, unassembled, #2-56 x .247" thd ext
		9701 - 9736	Guide sockets, polarized, installed, #2-56 x .247" thd ext
		98	Guide sockets, universal, installed, #2-56 x .247" thd ext

Note: Includes mounting bracket when right angle contacts are supplied

POLARIZATION:		POLARIZATION	
00	None	00	None
01	thru 36 are special identifiers, see page R-57	01	thru 36 are special identifiers, see page R-57

- * Full compliment of crimp removable sockets packaged with connectors
- 1. Crimp tool - AirBorn part number: CDG4601, Mil Spec number M22520/2-01
- 2. Crimp positioner - AirBorn part number: CDG4602 (24-26 AWG and 28-30 AWG) CDG4603 (20-22 AWG)
- 3. Crimp removal tool - AirBorn part number: CDG8161 (All AWGs)
- 4. Crimp contact part number on previous page.

= Option not RoHS compliant



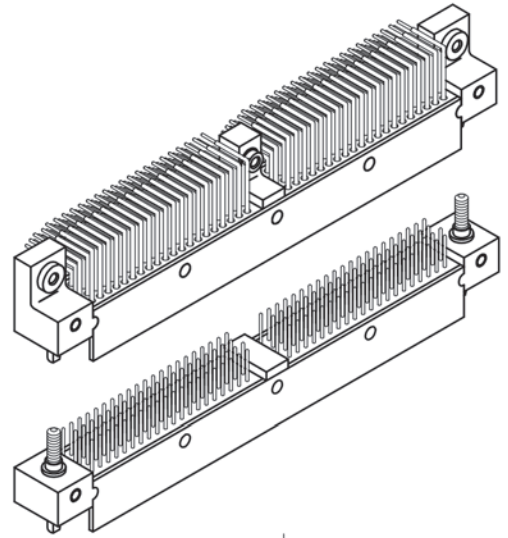
4 • ROW Right Angle PTH Plug Straight PTH Plug

.075"

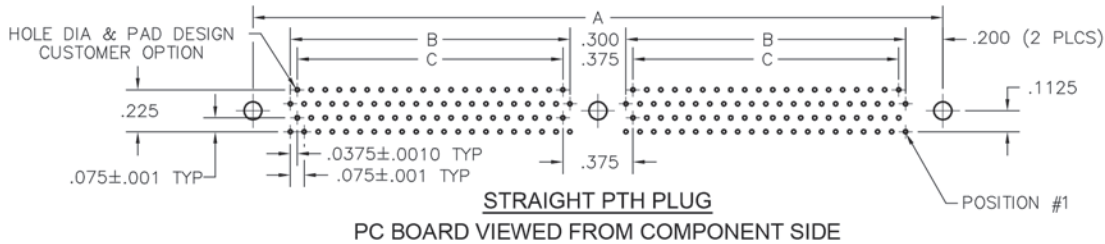
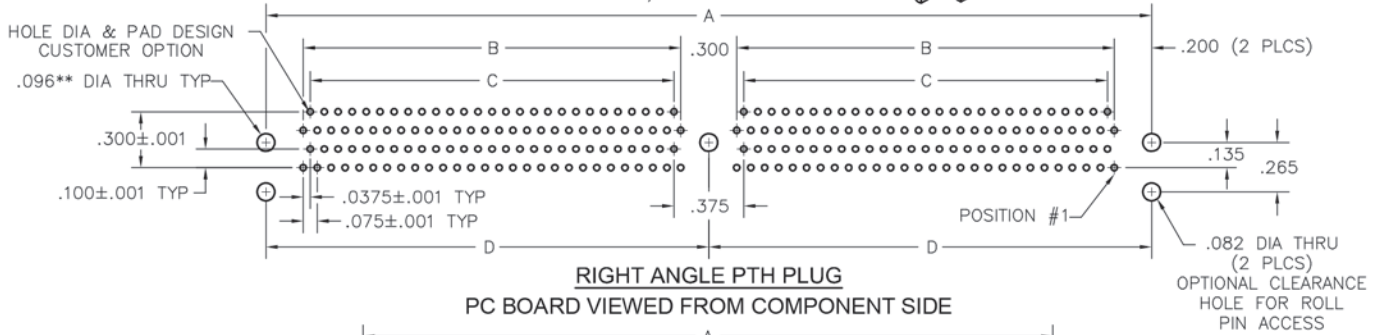
RM4

86 thru 404 Contacts
Recommended
Board Layout

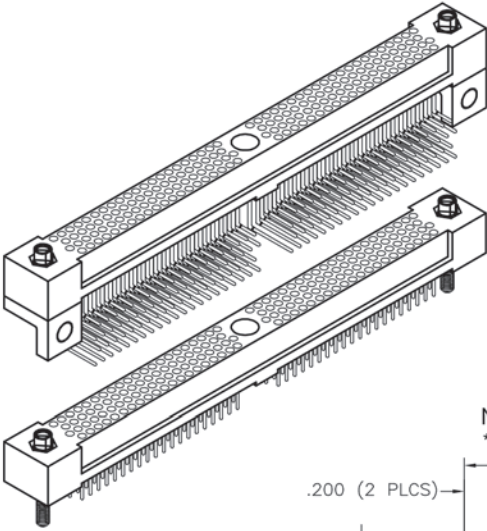
DIMENSIONS				
SIZE	A	B	C	D
86*	1.975	1.575	1.500	—
110*	2.425	2.025	1.950	—
164	3.700	1.500	1.425	1.850
196	4.300	1.800	1.725	2.150
204	4.450	1.875	1.800	2.225
220	4.750	2.025	1.950	2.375
250*	5.050	4.650	4.575	—
276	5.800	2.550	2.475	2.900
300	6.250	2.775	2.700	3.125
404	8.200	3.750	3.675	4.100



NOTES:
* = Single section, no center mounting hole
** = .125 dia thru holes, size 404



SIZE	CONTACT ID	SIZE	CONTACT ID	
86*	86 85 84 65 64 63 43 42 41 22 21 20	220	220 219 218 166 165 164 110 109 108 56 55 54	
	68 67 66 46 45 44 25 24 23 3 2 1		196 195 194 141 140 139 86 85 84 31 30 29	
	110 109 108 83 82 81 55 54 53 28 27 26		193 192 191 138 137 136 83 82 81 28 27 26	
	86 85 84 58 57 56 31 30 29 3 2 1		169 168 167 113 112 111 59 58 57 3 2 1	
110*	144 143 142 103 102 101 62 61 60 21 20 19	250*	250 249 248 188 187 186 123 124 123 63 62 61	
	127 126 125 85 84 83 45 44 43 3 2 1		191 190 189 128 127 126 66 65 64 3 2 1	
	164 163 162 124 123 122 82 81 80 42 41 40		276 275 274 208 207 206 138 137 136 70 69 68	245 244 243 176 175 174 107 106 105 38 37 36
	147 146 145 106 105 104 65 64 63 24 23 22		276 275 274 208 207 206 138 137 136 70 69 68	242 241 240 173 172 171 104 103 102 35 34 33
164	179 178 177 128 127 126 77 76 75 26 25 24	276	300 299 298 226 225 224 150 149 148 76 75 74	
	157 156 155 105 104 103 55 54 53 3 2 1		266 265 264 191 190 189 116 115 114 41 40 39	
	204 203 202 154 153 152 102 101 100 52 51 50		300 299 298 226 225 224 150 149 148 76 75 74	263 262 261 188 187 186 113 112 111 38 37 36
	182 181 180 131 130 129 80 79 78 29 28 27		404 403 402 201 199 197 202 200 198	503 502 298 303 301 299 100 98 96 101 99 97
196	179 178 177 128 127 126 77 76 75 26 25 24	300	503 502 298 303 301 299 100 98 96 101 99 97	
	157 156 155 105 104 103 55 54 53 3 2 1		208 207 206 138 137 136 70 69 68	
	204 203 202 154 153 152 102 101 100 52 51 50		208 207 206 138 137 136 70 69 68	208 206 204 207 205 203 6 4 2 5 3 1
	182 181 180 131 130 129 80 79 78 29 28 27		404 403 402 201 199 197 202 200 198	503 502 298 303 301 299 100 98 96 101 99 97
204	179 178 177 128 127 126 77 76 75 26 25 24	404	403 401 399 404 402 400 201 199 197 202 200 198	
	157 156 155 105 104 103 55 54 53 3 2 1		509 507 505 508 506 504 107 105 103 108 104 102	
	204 203 202 154 153 152 102 101 100 52 51 50		503 502 298 303 301 299 100 98 96 101 99 97	208 206 204 207 205 203 6 4 2 5 3 1
	182 181 180 131 130 129 80 79 78 29 28 27		404 403 402 201 199 197 202 200 198	503 502 298 303 301 299 100 98 96 101 99 97



DIMENSIONS			
SIZE	A	B	C
86*	1.975	1.575	1.500
110*	2.425	2.025	1.950
164	3.700	1.500	1.425
196	4.300	1.800	1.725
204	4.450	1.875	1.800
220	4.750	2.025	1.950
250*	5.050	4.650	4.575
276	5.800	2.550	2.475
300	6.250	2.775	2.700
404	8.200	3.750	3.675

4 · ROW

Right Angle PTH Rcpt

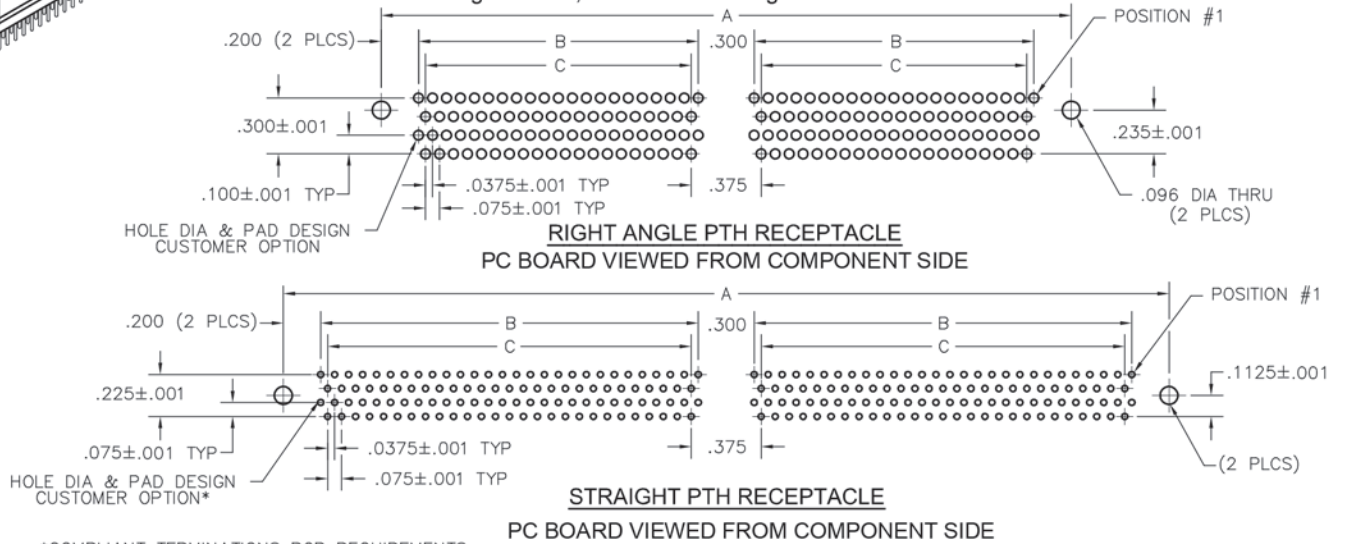
Straight PTH Rcpt

.075"

RM4

86 thru 404 Contacts
Recommended Board Layout

NOTES:
* = Single section, no center mounting hole



*COMPLIANT TERMINATIONS PCB REQUIREMENTS:
Board Material: FR-4 w/ 1.0 oz. copper
Minimum nominal board thickness: .062"
Drilled hole: .0319"-.0339"
Copper plating thickness: .0010" minimum
Tin-lead plating thickness: .0006" maximum
Electroplated tin-lead composition: 63/37 (Sn/Pb)
Finished hole diameter: .028"±.002"

SIZE	CONTACT ID	SIZE	CONTACT ID		
86*	22 21 20 43 42 41 65 64 63 86 85 84	220	56 55 54 110 109 108 166 165 164 220 219 218		
	3 2 1 25 24 23 46 45 44 68 67 66		31 30 29 86 85 84 141 140 139 196 195 194		
	28 27 26 55 54 53 83 82 81 110 109 108		63 62 61 125 124 123 188 187 186 250 249 248	3 2 1 66 65 64 128 127 126 191 190 189	
	42 41 40 82 81 80 124 123 122 164 163 162		70 69 68 138 137 136 208 207 206 276 275 274	35 34 33 104 103 102 173 172 171 242 241 240	3 2 1 73 72 71 141 140 139 211 210 209
110*	28 27 26 55 54 53 83 82 81 110 109 108	250*	63 62 61 125 124 123 188 187 186 250 249 248		
	3 2 1 25 24 23 46 45 44 68 67 66		31 30 29 86 85 84 141 140 139 196 195 194		
	42 41 40 82 81 80 124 123 122 164 163 162		70 69 68 138 137 136 208 207 206 276 275 274	35 34 33 104 103 102 173 172 171 242 241 240	3 2 1 73 72 71 141 140 139 211 210 209
	50 49 48 98 97 96 148 147 146 196 195 194		76 75 74 150 149 148 226 225 224 300 299 298	41 40 39 116 115 114 191 190 189 266 265 264	3 2 1 113 112 111 188 187 186 263 262 261 229 228 227
164	42 41 40 82 81 80 124 123 122 164 163 162	276	70 69 68 138 137 136 208 207 206 276 275 274		
	28 27 26 55 54 53 83 82 81 110 109 108		31 30 29 86 85 84 141 140 139 196 195 194		
	50 49 48 98 97 96 148 147 146 196 195 194		76 75 74 150 149 148 226 225 224 300 299 298	41 40 39 116 115 114 191 190 189 266 265 264	3 2 1 113 112 111 188 187 186 263 262 261 229 228 227
	52 51 50 102 101 100 154 153 152 204 203 202		80 79 78 131 130 129 182 181 180 232 231 230	26 25 24 77 76 75 128 127 126 179 178 177	3 2 1 55 54 53 105 104 103 157 156 155
196	50 49 48 98 97 96 148 147 146 196 195 194	300	76 75 74 150 149 148 226 225 224 300 299 298		
	28 27 26 55 54 53 83 82 81 110 109 108		31 30 29 86 85 84 141 140 139 196 195 194		
	42 41 40 82 81 80 124 123 122 164 163 162		70 69 68 138 137 136 208 207 206 276 275 274	35 34 33 104 103 102 173 172 171 242 241 240	3 2 1 73 72 71 141 140 139 211 210 209
	52 51 50 102 101 100 154 153 152 204 203 202		80 79 78 131 130 129 182 181 180 232 231 230	26 25 24 77 76 75 128 127 126 179 178 177	3 2 1 55 54 53 105 104 103 157 156 155
204	52 51 50 102 101 100 154 153 152 204 203 202	404	202 201 198 201 199 197 404 402 400 403 401 399		
	28 27 26 55 54 53 83 82 81 110 109 108		31 30 29 86 85 84 141 140 139 196 195 194		
	50 49 48 98 97 96 148 147 146 196 195 194		76 75 74 150 149 148 226 225 224 300 299 298	41 40 39 116 115 114 191 190 189 266 265 264	3 2 1 113 112 111 188 187 186 263 262 261 229 228 227
	52 51 50 102 101 100 154 153 152 204 203 202		80 79 78 131 130 129 182 181 180 232 231 230	26 25 24 77 76 75 128 127 126 179 178 177	3 2 1 55 54 53 105 104 103 157 156 155



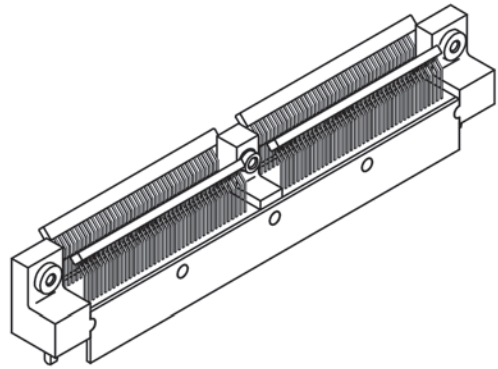
4 ROW Straight SMT Plug

.075"

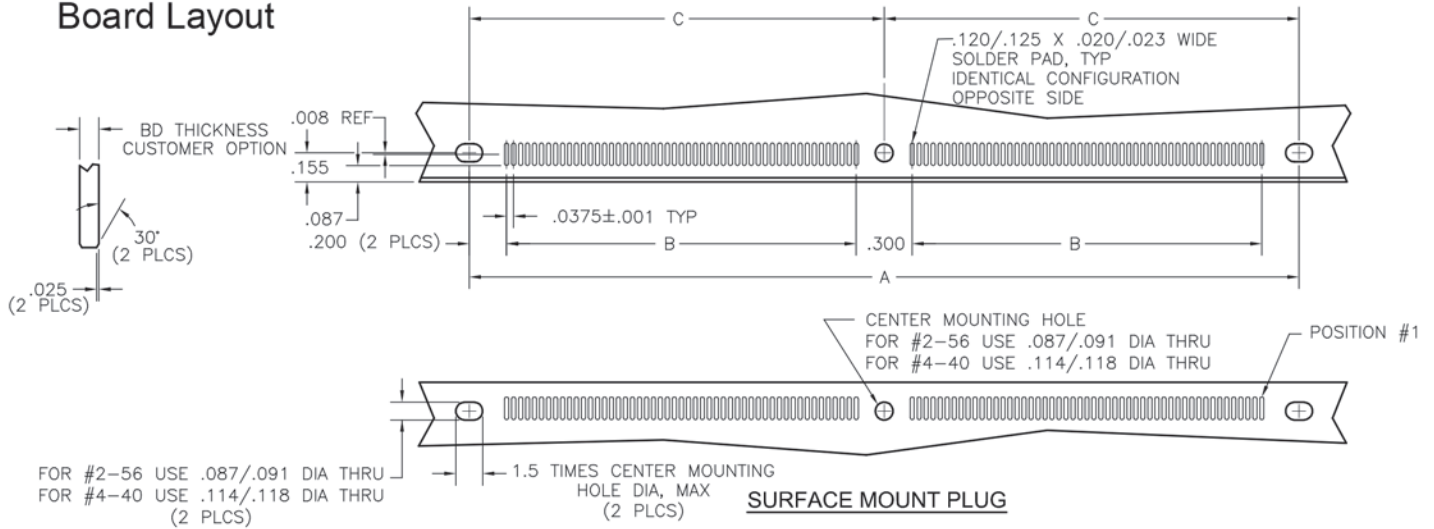
RM4

86 thru 404 Contacts
Recommended
Board Layout

DIMENSIONS			
SIZE	A	B	C
86*	1.975	1.575	-
110*	2.425	2.025	-
164	3.700	1.500	1.850
196	4.300	1.800	2.150
204	4.450	1.875	2.225
220	4.750	2.025	2.375
250*	5.050	4.650	-
276	5.800	2.550	2.475
300	6.250	2.775	3.125
404	8.200	3.750	4.100



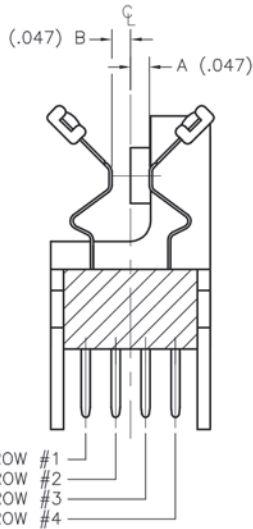
NOTES:
* = Single section, no center mounting hole



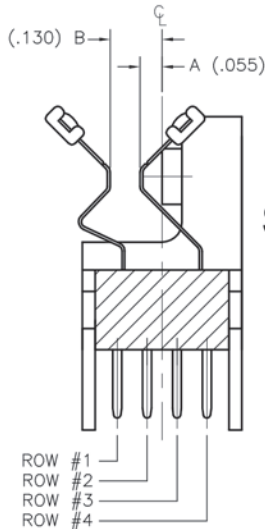
FOR #2-56 USE .087/.091 DIA THRU
FOR #4-40 USE .114/.118 DIA THRU
(2 PLCS)

SIZE	CONTACT ID	SIZE	CONTACT ID
86*	C 65	220	C 166
	C 43		C 220
	C 21		C 165
	C 20		C 164
	C 63		C 54
	C 62		C 31
	C 61		C 141
	C 60		C 195
	C 59		C 30
	C 58		C 84
110*	C 83	250*	C 188
	C 82		C 250
	C 81		C 187
	C 80		C 249
	C 79		C 186
	C 78		C 61
	C 77		C 3
	C 76		C 128
	C 75		C 190
	C 74		C 2
164	C 124	276	C 208
	C 123		C 276
	C 122		C 275
	C 121		C 274
	C 120		C 273
	C 119		C 272
	C 118		C 271
	C 117		C 270
	C 116		C 269
	C 115		C 268
196	C 148	300	C 226
	C 147		C 300
	C 146		C 299
	C 145		C 298
	C 144		C 297
	C 143		C 296
	C 142		C 295
	C 141		C 294
	C 140		C 293
	C 139		C 292
204	C 154	404	C 404
	C 153		C 308
	C 152		C 307
	C 151		C 306
	C 150		C 305
	C 149		C 304
	C 148		C 303
	C 147		C 302
	C 146		C 301
	C 145		C 300

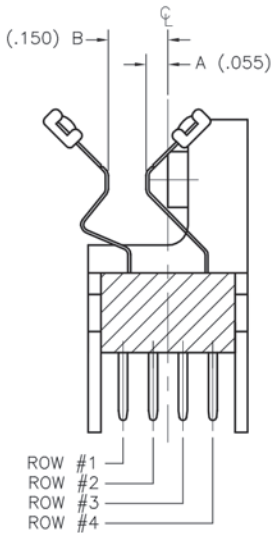
SMT Configuration Options



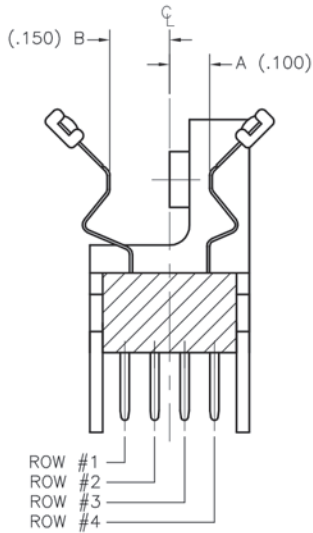
STYLE 933



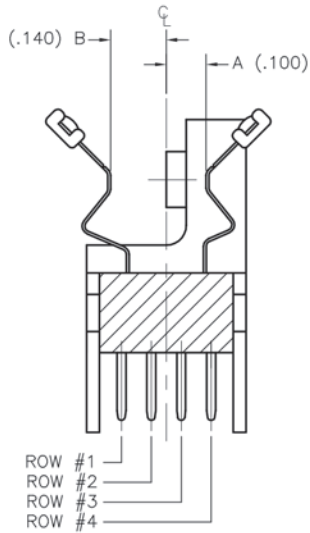
STYLE 925



STYLE 927



STYLE 947



STYLE 946

DISTANCE FROM \bar{C} (A)

- 1 .005
- 2 .055

DISTANCE FROM \bar{C} (A OR B)

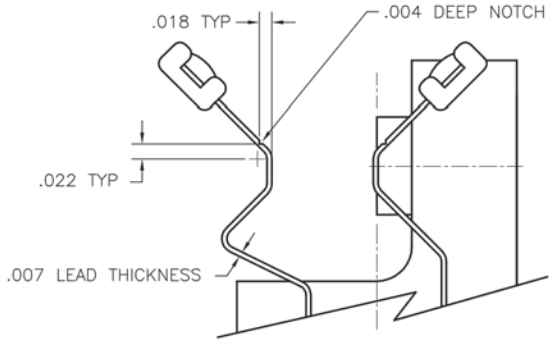
- 3 .047
- 4 .100
- 5 .130
- 6 .140
- 7 .150
- 8 .070
- 9 .080

DISTANCE FROM \bar{C} (B)

- 0 .090

NOTES:

1. Various board thicknesses can be accommodated by specifying A and B designators. For example: 9 (A)(B)
2. Consult factory for other available options.

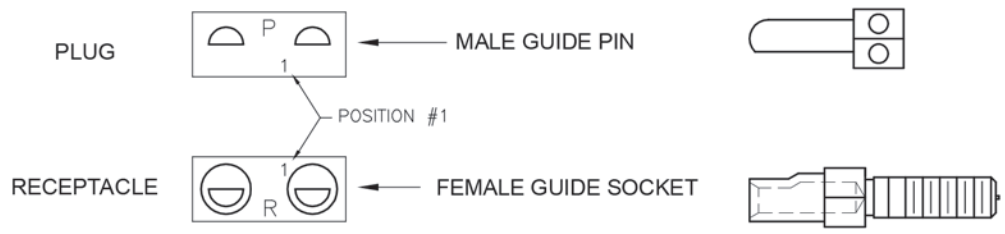


CONTACT NOTCH DETAIL

Polarization 4 Row and 6 Row

D-Shaped Guide Hardware

01		07		13		19		25		31	
02		08		14		20		26		32	
03		09		15		21		27		33	
04		10		16		22		28		34	
05		11		17		23		29		35	
06		12		18		24		30		36	



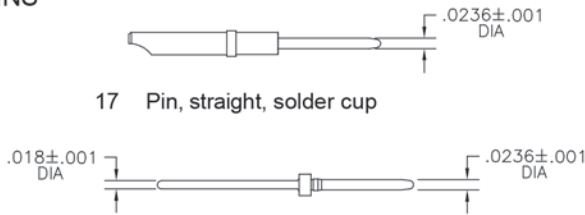
Select the appropriate two digit number above and include as the last two digits of the hardware code in the part number.

Example:
 Plug RM452-220-311-9501
 Receptacle RM462-220-811-9601

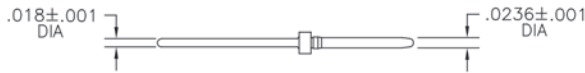
Contacts 4 Row

Pins and Sockets

PINS



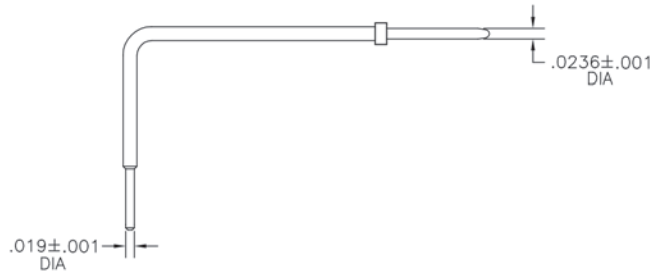
17 Pin, straight, solder cup



51 Pin, straight, dip solder, .109"
52 Pin, straight, dip solder, .140"
53 Pin, straight, dip solder, .172"



19 Pin, SMT, .014" x .007", scored for organizer removal (see R-56)
39 Pin, SMT, .014" x .007", unscored



31 Pin, right angle, dip solder, .109" x .019" dia
32 Pin, right angle, dip solder, .140" x .019" dia
33 Pin, right angle, dip solder, .172" x .019" dia

SOCKETS



75 Socket, straight, dip solder, .250"
81 Socket, straight, dip solder, .109"
82 Socket, straight, dip solder, .140"
83 Socket, straight, dip solder, .172"



87 Socket, straight, press-fit, .188" (Board: .093"-.125")
88 Socket, straight, press-fit, .308" (Board: .156"-.200")
89 Socket, straight, press-fit, .388" (Board: .250 or <)



76 Socket, straight, solder cup



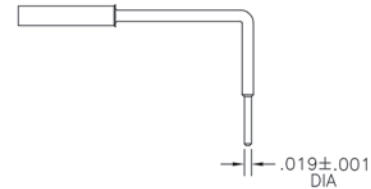
57 Socket, straight, crimp removable (20-22 awg)
58 Socket, straight, crimp removable (24-26 awg)
59 Socket, straight, crimp removable (28-30 awg)



77 Socket, straight, flex circuit, .093"



78 Socket, straight, wire-wrap[®], .500"
79 Socket, straight, wire-wrap[®], .375"



84 Socket, right angle, dip solder, .109"
85 Socket, right angle, dip solder, .140"
86 Socket, right angle, dip solder, .172"

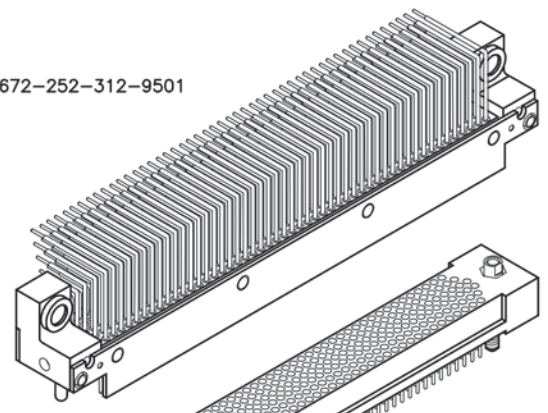


6 · ROW Daughterboard to Motherboard or Chassis

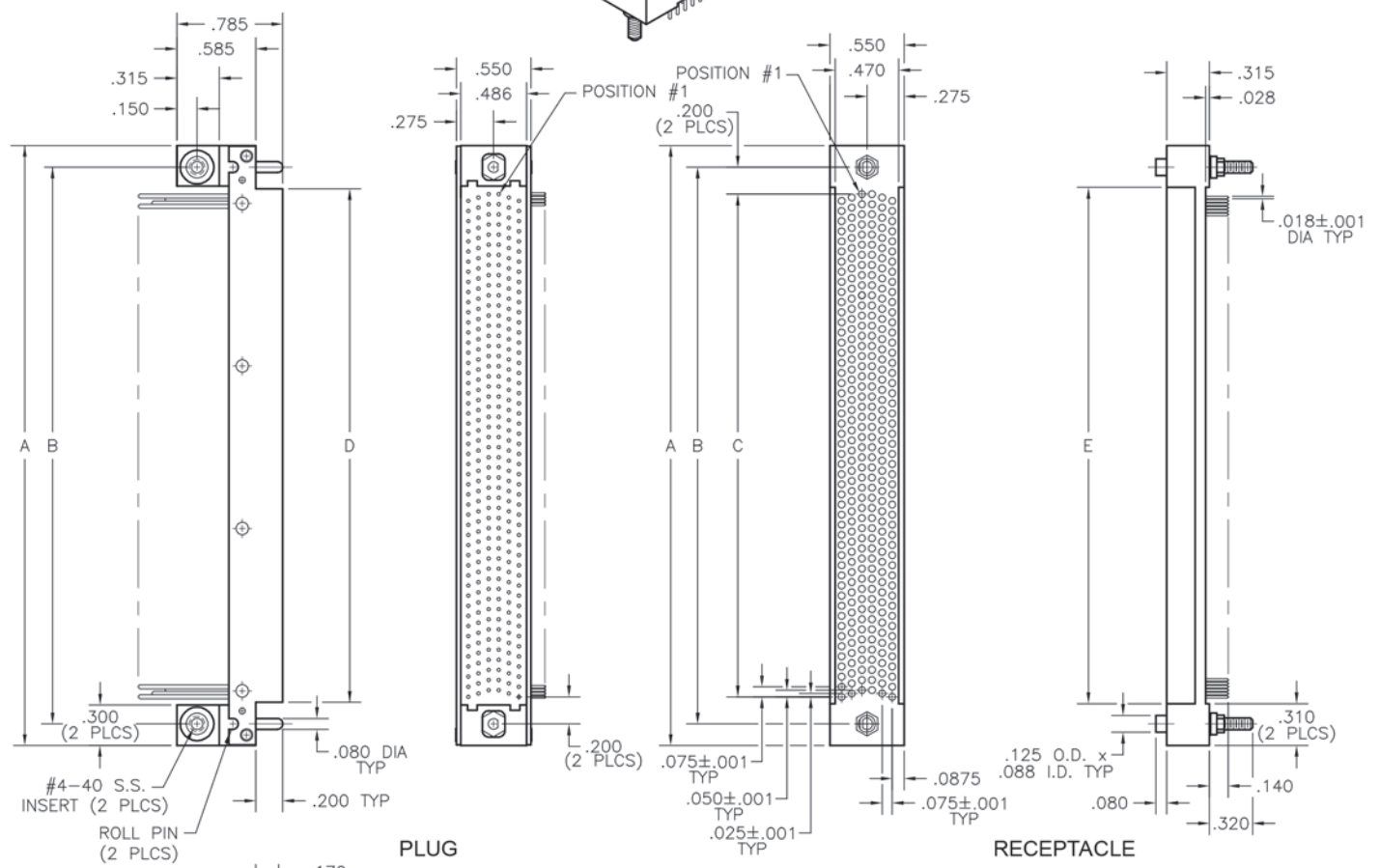
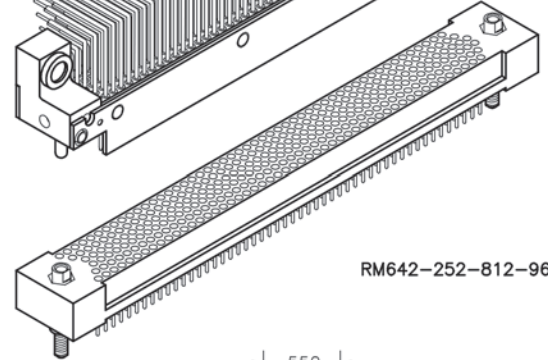
.075"
RM6

162 thru 402 Contacts

RM672-252-312-9501



RM642-252-812-9601



PLUG

RECEPTACLE

DIMENSIONS					
SIZE	A	B	C	D	E
162	2.720	2.400	2.000	2.080	2.100
204	3.245	2.925	2.525	2.605	2.625
252	3.845	3.525	3.125	3.205	3.225
300	4.445	4.125	3.725	3.805	3.825
360	5.195	4.875	4.475	4.550	4.575
402	5.720	5.400	5.000	5.080	5.100



PLUG: RM672-252-312-9501
 RECEPTACLE: RM642-252-812-9601
 XXXXX-XXX-XXX-XXXX

PLUG

RECEPTACLE

SERIES	
RM .075" Screw Machine PC Connector	RM .075" Screw Machine PC Connector

BODY	
6 6-Row	6 6-Row

BODY STYLE:	BODY STYLE:
7 Plug, right angle, with mounting ears	4 Receptacle, straight, without metal mounting ears

BODY MATERIAL:	BODY MATERIAL:
2 Polyphenylene sulfide (PPS)	2 Polyphenylene sulfide (PPS)

SIZE	
162, 204, 252, 300, 360, 402	162, 204, 252, 300, 360, 402

CONTACTS

TYPE CONTACTS/TERMINATIONS:

31 Pin, right angle, dip solder, .109" x .019" dia
32 Pin, right angle, dip solder, .140" x .019" dia
33 Pin, right angle, dip solder, .172" x .019" dia
34 Pin, right angle, dip solder, .250" x .019" dia

TYPE CONTACTS/TERMINATIONS:

75 Socket, straight, dip solder, .250" x .018" dia
76 Socket, straight, solder cup
77 Socket, straight, flex, .093" x .017" dia
81 Socket, straight, dip solder, .109" x .018" dia
82 Socket, straight, dip solder, .140" x .018" dia
83 Socket, straight, dip solder, .172" x .018" dia
87 Socket, straight, press-fit, .188" (Board: .093" - .125" thk)
88 Socket, straight, press-fit, .308" (Board: .156" - .200" thk)
89 Socket, straight, press-fit, .388" (Board: .250"+ thk)

PLATING OPTIONS:

1 Gold plated termination
2 Pre-tinned termination, SnPb alloy <input checked="" type="checkbox"/>
3 Pre-tinned termination, SAC305 alloy

PLATING OPTIONS:

1 Gold plated termination
2 Pre-tinned termination, SnPb alloy (dip solder options only) <input checked="" type="checkbox"/>
3 Pre-tinned termination, SAC305 alloy (dip solder options only)

HARDWARE

STYLE OF HARDWARE:

0256 None
83 Fixed jackset, reversed, installed
90 Guide pins, full round, installed
93 Fixed jackset, installed
95 Guide pins, polarized, unassembled
9501 - 9536 Guide pins, polarized, installed
99 Guide pins, universal, installed

STYLE OF HARDWARE:

0256 None
82 Hex turning jackset, reversed, installed, .200 knob
83 Fixed jackset, reversed, installed, #2-56 x .247" thd ext
84 Fixed jackset, reversed, installed, #2-56 x .320" thd ext
91 Guide sockets, full round, installed, #2-56 x .247" thd ext
92 Hex turning jackset, installed, .200 knob
93 Fixed jackset, installed, #2-56 x .247" thd ext
94 Fixed jackset, installed, #2-56 x .320" thd ext
96 Guide sockets, polarized, unassembled, #2-56 x .320" thd ext
9601 - 9636 Guide sockets, polarized, installed, #2-56 x .320" thd ext
97 Guide sockets, polarized, unassembled, #2-56 x .247" thd ext
9701 - 9736 Guide sockets, polarized, installed, #2-56 x .247" thd ext
98 Guide sockets, universal, installed, #2-56 x .247" thd ext

POLARIZATION:

00 None
01 thru 36 are special identifiers, see page R-57

POLARIZATION:

00 None
01 thru 36 are special identifiers, see page R-57

= Option not RoHS compliant



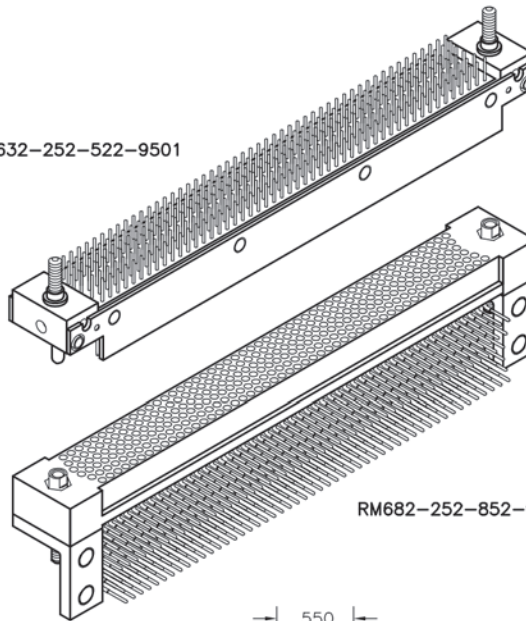
6 · ROW Motherboard or Chassis to Daughterboard

.075"

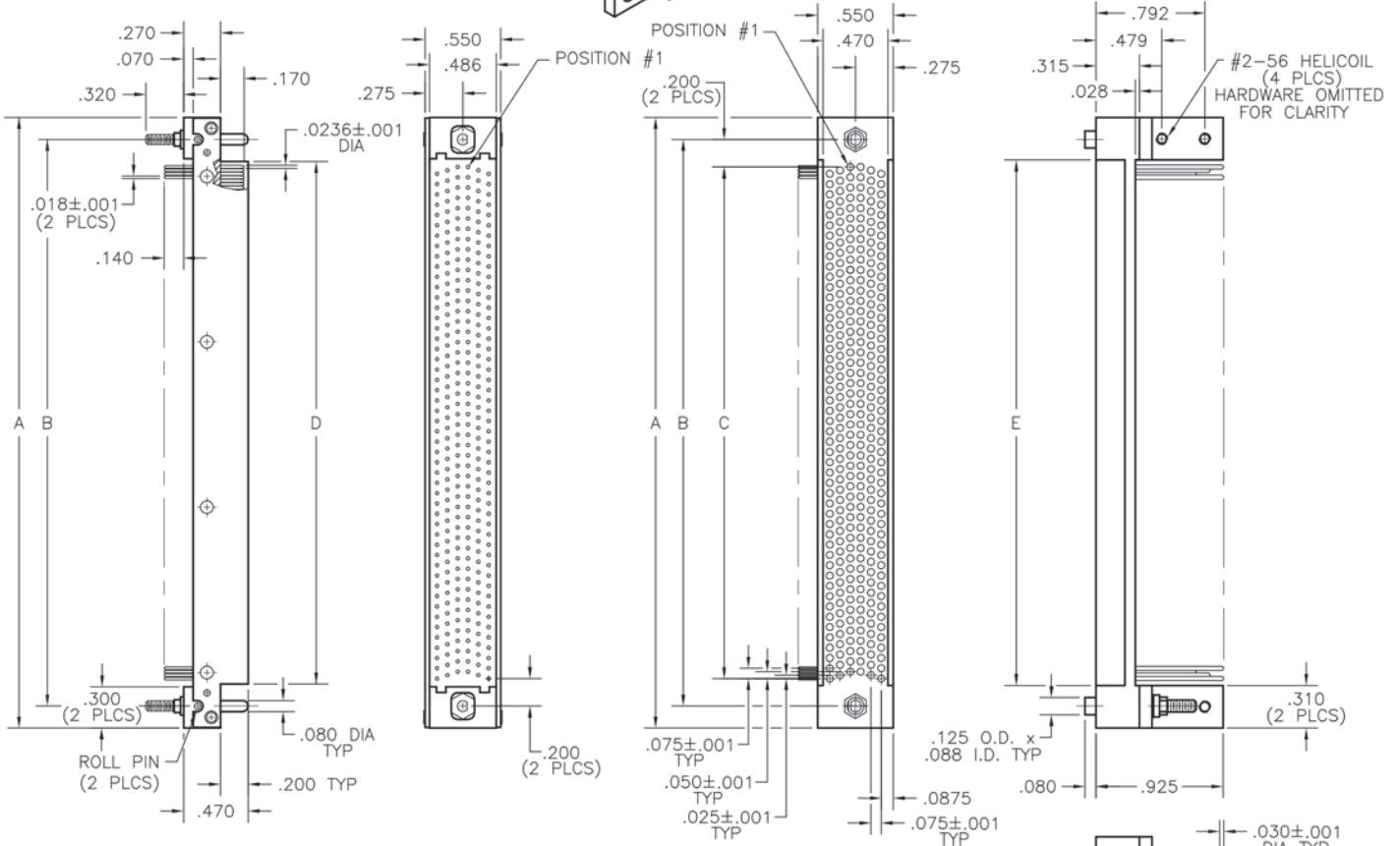
RM6

162 thru 402 Contacts

RM632-252-522-9501



RM682-252-852-9601



PLUG

RECEPTACLE

SIZE	DIMENSIONS				
	A	B	C	D	E
162	2.720	2.400	2.000	2.080	2.100
204	3.245	2.925	2.525	2.605	2.625
252	3.845	3.525	3.125	3.205	3.225
300	4.445	4.125	3.725	3.805	3.825
360	5.195	4.875	4.475	4.550	4.575
402	5.720	5.400	5.000	5.080	5.100



PLUG: RM632-252-522-9501
 RECEPTACLE: RM682-252-852-9601
 XXXXX-XXX-XXX-XXXX

PLUG

RECEPTACLE

SERIES	
RM .075" Screw Machine PC Connector	RM .075" Screw Machine PC Connector

BODY	
6 6-Row	6 6-Row
BODY STYLE: 3 Plug, straight, without mounting ears	BODY STYLE: 8 Receptacle, right angle, with metal mount brackets
BODY MATERIAL: 2 Polyphenylene sulfide (PPS)	BODY MATERIAL: 2 Polyphenylene sulfide (PPS)

SIZE	
162, 204, 252, 300, 360, 402	162, 204, 252, 300, 360, 402

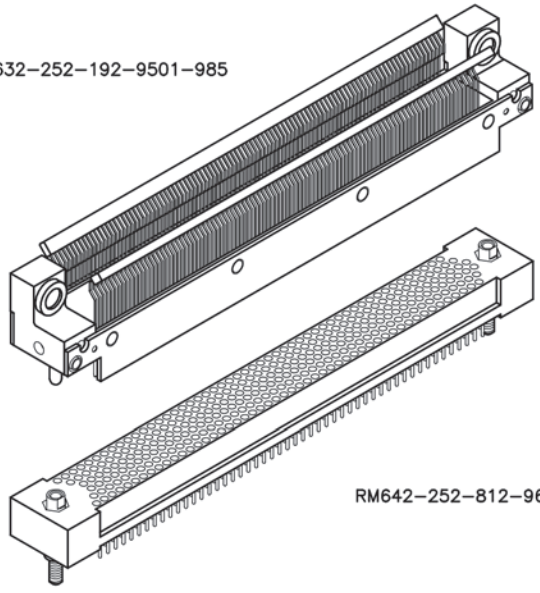
CONTACTS	
TYPE CONTACTS/TERMINATIONS: 17 Pin, straight, solder cup 40 Pin, straight, flex .093" x .017" dia 51 Pin, straight, dip solder, .109" x .018" dia 52 Pin, straight, dip solder, .140" x .018" dia 53 Pin, straight, dip solder, .172" x .018" dia 54 Pin, straight, dip solder, .250" x .018" dia	TYPE CONTACTS/TERMINATIONS: 84 Socket, right angle, dip solder, .109" x .019" dia 85 Socket, right angle, dip solder, .140" x .019" dia 86 Socket, right angle, dip solder, .172" x .019" dia
PLATING OPTIONS: 1 Gold plated termination 2 Pre-tinned termination, SnPb alloy (dip solder options only) <input checked="" type="checkbox"/> 3 Pre-tinned termination, SAC305 alloy (dip solder options only)	PLATING OPTIONS: 1 Gold plated termination 2 Pre-tinned termination, SnPb alloy <input checked="" type="checkbox"/> 3 Pre-tinned termination, SAC305 alloy

HARDWARE	
STYLE OF HARDWARE: 0256 None 82 Hex turning jackset, reversed, installed, .200 knob 83 Fixed jackset, reversed, installed #2-56 x .247" thd ext 84 Fixed jackset, reversed, installed #2-56 x .320" thd ext 90 Guide pins, full round, installed #2-56 x .320" thd ext 92 Hex turning jackset, installed, .200 knob 93 Fixed jackset, installed, #2-56 x .247" thd ext 94 Fixed jackset, installed, #2-56 x .320" thd ext 95 Guide pins, polarized, unassembled, #2-56 x .320" thd ext 9501 - 9536 Guide pins, polarized, installed, #2-56 x .320" thd ext 99 Guide pins, universal, installed #2-56 x .320" thd ext	STYLE OF HARDWARE: 0256 None 82 Hex turning jackset, reversed, installed, .200 knob 83 Fixed jackset, reversed, installed 91 Guide sockets, full round, installed 92 Hex turning jackset, installed, .200 knob 93 Fixed jackset, installed 96 Guide sockets, polarized, unassembled 9601 - 9636 Guide sockets, polarized, installed 97 Guide sockets, polarized, unassembled 9701 - 9736 Guide sockets, polarized, installed 98 Guide sockets, universal, installed Note: Includes mounting bracket when right angle contacts are supplied
POLARIZATION: 00 None 01 thru 36 are special identifiers, see page R-57	POLARIZATION: 00 None 01 thru 36 are special identifiers, see page R-57

= Option not RoHS compliant



RM632-252-192-9501-985



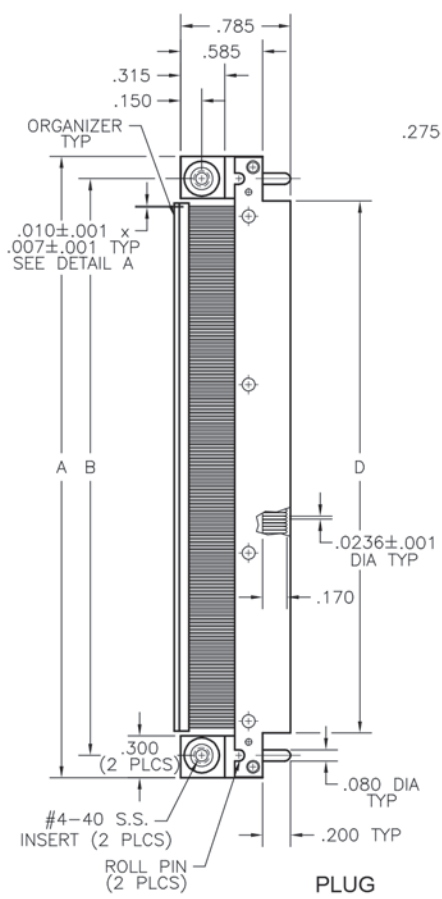
RM642-252-812-9601

6 · ROW Daughterboard to Motherboard or Chassis

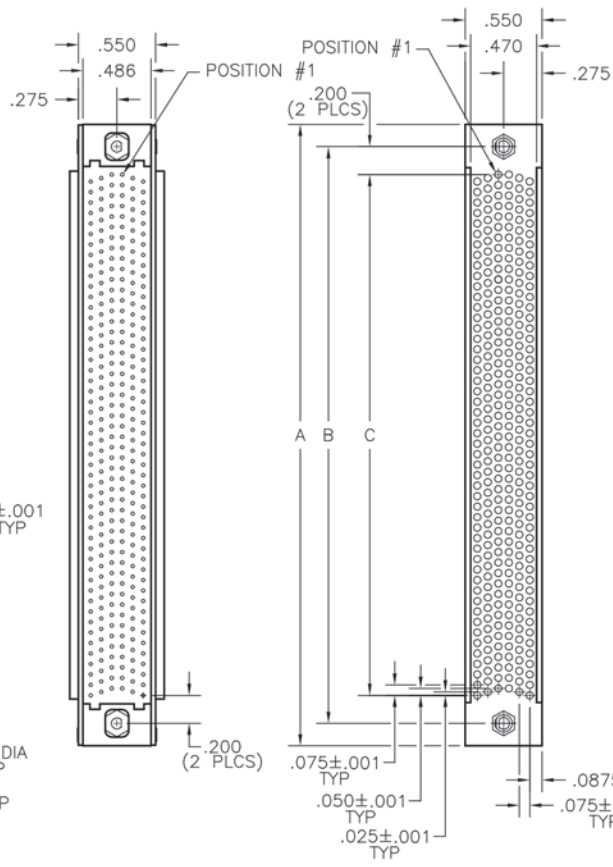
.075"

RM6

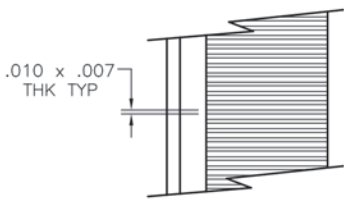
162 thru 402 Contacts



PLUG



RECEPTACLE



DETAIL A

DIMENSIONS					
SIZE	A	B	C	D	E
162	2.720	2.400	2.000	2.080	2.100
204	3.245	2.925	2.525	2.605	2.625
252	3.845	3.525	3.125	3.205	3.225
300	4.445	4.125	3.725	3.805	3.825
360	5.195	4.875	4.475	4.550	4.575
402	5.720	5.400	5.000	5.080	5.100



PLUG: RM632-252-192-9501-985
 RECEPTACLE: RM642-252-812-9601
 XXXXX-XXX-XXX-XXXX-XXX

PLUG		RECEPTACLE	
SERIES			
RM .075" Screw Machine PC Connector		RM .075" Screw Machine PC Connector	
BODY			
6 6-Row		6 6-Row	
BODY STYLE: 3 Plug, SMT, with mounting ears		BODY STYLE: 4 outReceptacle, straight, without mounting ears	
BODY MATERIAL: 2 Polyphenylene sulfide (PPS)		BODY MATERIAL: 2 Polyphenylene sulfide (PPS)	
SIZE			
162, 204, 252, 300, 360, 402		162, 204, 252, 300, 360, 402	
CONTACTS			
TYPE CONTACTS/TERMINATIONS: 19 Pin, SMT, .014" x .007" tail, scored for organizer removal (see R-56) 39 Pin, SMT, .014" x .007" tail, unscored		TYPE CONTACTS/TERMINATIONS: 75 Socket, straight, dip solder, .250" x .018" dia 76 Socket, straight, solder cup 77 Socket, straight, flex, .093" x .017" dia 81 Socket, straight, dip solder, .109" x .018" dia 82 Socket, straight, dip solder, .140" x .018" dia 83 Socket, straight, dip solder, .172" x .018" dia 87 Socket, straight, press-fit, .188" (Board: .093" - .125" thk) 88 Socket, straight, press-fit, .308" (Board: .156" - .200" thk) 89 Socket, straight, press-fit, .388" (Board: .250"+ thk)	
PLATING OPTIONS: 2 Pre-tinned termination, SnPb alloy <input checked="" type="checkbox"/> 3 Pre-tinned termination, SAC305 alloy		PLATING OPTIONS: 1 Gold plated termination 2 Pre-tinned termination, SnPb alloy (dip solder options only) <input checked="" type="checkbox"/> 3 Pre-tinned termination, SAC305 alloy (dip solder options only)	
HARDWARE			
STYLE OF HARDWARE: 0256 None 83 Fixed jackset, reversed, installed 90 Guide pins, full round, installed 93 Fixed jackset, installed 95 Guide pins, polarized, unassembled 9501 - 9536 Guide pins, polarized, installed 99 Guide pins, universal, installed		STYLE OF HARDWARE: 0256 None 82 Hex turning jackset, reversed, installed, .200 knob 83 Fixed jackset, reversed, installed, #2-56 x .247" thd ext 84 Fixed jackset, reversed, installed, #2-56 x .320" thd ext 91 Guide sockets, full round, installed, #2-56 x .247" thd ext 92 Hex turning jackset, installed, .200 knob 93 Fixed jackset, installed, #2-56 x .247" thd ext 94 Fixed jackset, installed, #2-56 x .320" thd ext 96 Guide sockets, polarized, unassembled, #2-56 x .320" thd ext 9601 - 9636 Guide sockets, polarized, installed, #2-56 x .320" thd ext 97 Guide sockets, polarized, unassembled, #2-56 x .247" thd ext 9701 - 9736 Guide sockets, polarized, installed, #2-56 x .247" thd ext 98 Guide sockets, universal, installed, #2-56 x .247" thd ext	
POLARIZATION: 00 None 01 thru 36 are special identifiers, see page R-57		POLARIZATION: 00 None 01 thru 36 are special identifiers, see page R-57	
OPTIONS			
9XX SMT configuration code, see page R-56			

= Option not RoHS compliant



6 · ROW

Right Angle PTH Plug

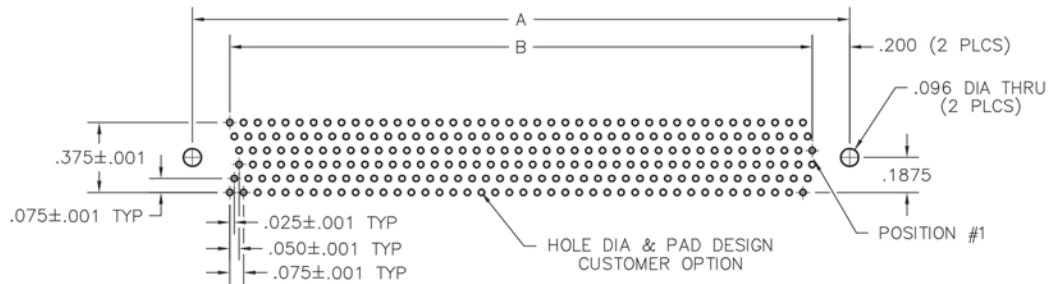
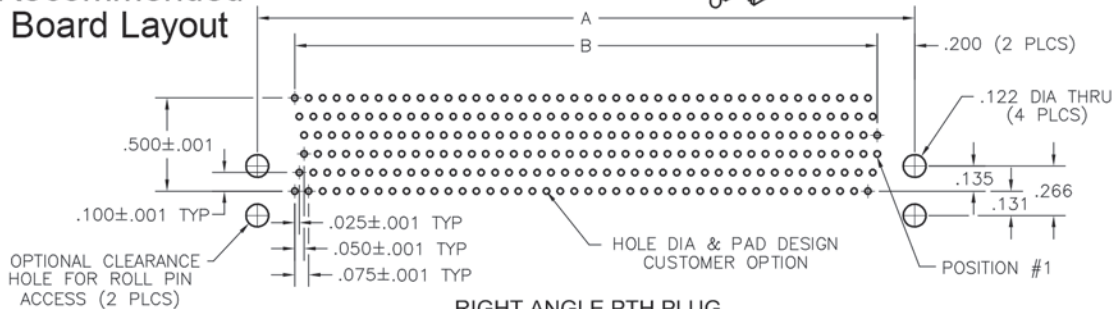
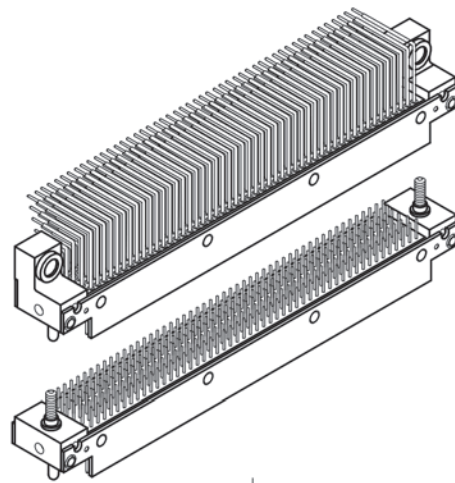
Straight PTH Plug

.075"

RM6

162 thru 402 Contacts
Recommended
Board Layout

DIMENSIONS		
SIZE	A	B
162	2.400	2.000
204	2.925	2.525
252	3.525	3.125
300	4.125	3.725
360	4.875	4.475
402	5.400	5.000



SIZE	CONTACT ID	SIZE	CONTACT ID
162	162(159 156)	300	300(297 294)
	161(158 155)		299(296 293)
	160(157 154)		298(295 292)
	79(76 73)		148(145 142)
	80(77 74)		149(146 143)
	81(78 75)		150(147 144)
204	204(201 198)	360	360(357 354)
	203(200 197)		359(356 353)
	202(199 196)		358(355 352)
	100(97 94)		178(175 172)
	101(98 95)		179(176 173)
	102(99 96)		180(177 174)
252	252(249 246)	402	402(399 396)
	251(248 245)		401(398 395)
	250(247 244)		400(397 394)
	124(121 118)		199(196 193)
	125(122 119)		200(197 194)
	126(123 120)		201(198 195)

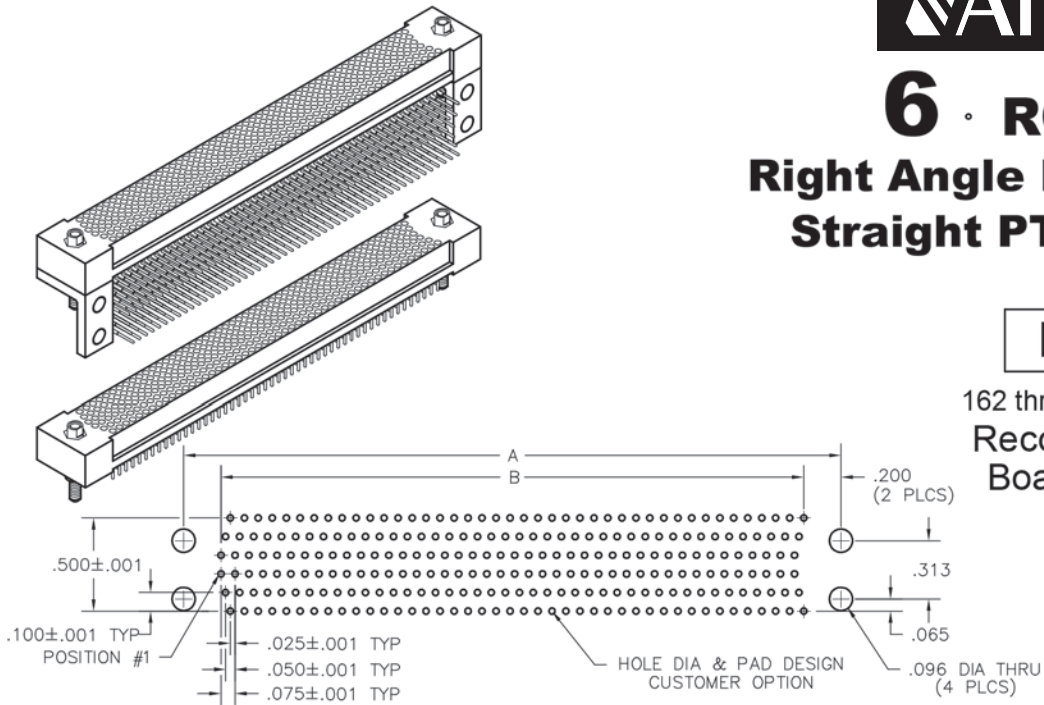


6 · ROW Right Angle PTH Rcpt Straight PTH Rcpt

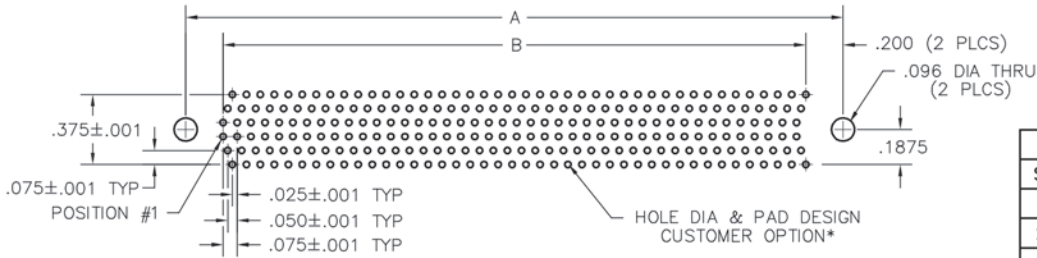
.075"

RM6

162 thru 402 Contacts
Recommended
Board Layout



RIGHT ANGLE PTH RECEPTACLE
PC BOARD VIEWED FROM COMPONENT SIDE



STRAIGHT PTH RECEPTACLE
PC BOARD VIEWED FROM COMPONENT SIDE

DIMENSIONS		
SIZE	A	B
162	2.400	2.000
204	2.925	2.525
252	3.525	3.125
300	4.125	3.725
360	4.875	4.475
402	5.400	5.000

***COMPLIANT TERMINATION REQUIREMENTS:**

Board Material: FR-4 w/ 1.0 oz. copper
Minimum nominal board thickness: .062"
Drilled hole: .0319"-.0339"
Copper plating thickness: .0010" minimum

Tin-lead plating thickness: .0006" maximum
Electroplated tin-lead composition: 63/37 (Sn/Pb)
Finished hole diameter: .028" ± .002"

SIZE	CONTACT ID	SIZE	CONTACT ID
162	84 87 90 83 86 89 82 85 88 1 4 7 2 5 8 3 6 9	300	153 156 159 152 155 158 151 154 157 1 4 7 2 5 8 3 6 9
	158 159 162 155 158 161 154 157 160 73 76 79 74 77 80 75 78 81		293 296 300 293 296 299 292 293 298 142 143 148 143 146 149 144 147 150
204	103 106 109 104 107 110 103 106 109 1 4 7 2 5 8 3 6 9	360	183 186 189 182 185 188 181 184 187 1 4 7 2 5 8 3 6 9
	198 201 204 197 200 203 196 199 202 94 97 100 95 98 101 96 99 102		353 356 360 353 356 359 352 353 358 172 173 178 173 176 179 174 177 180
252	129 132 135 128 131 134 127 130 133 1 4 7 2 5 8 3 6 9	402	204 207 210 203 206 209 202 205 208 1 4 7 2 5 8 3 6 9
	248 249 252 245 248 251 244 247 250 118 121 124 119 122 125 120 123 126		396 399 402 395 398 401 394 397 400 193 196 199 194 197 200 193 196 201

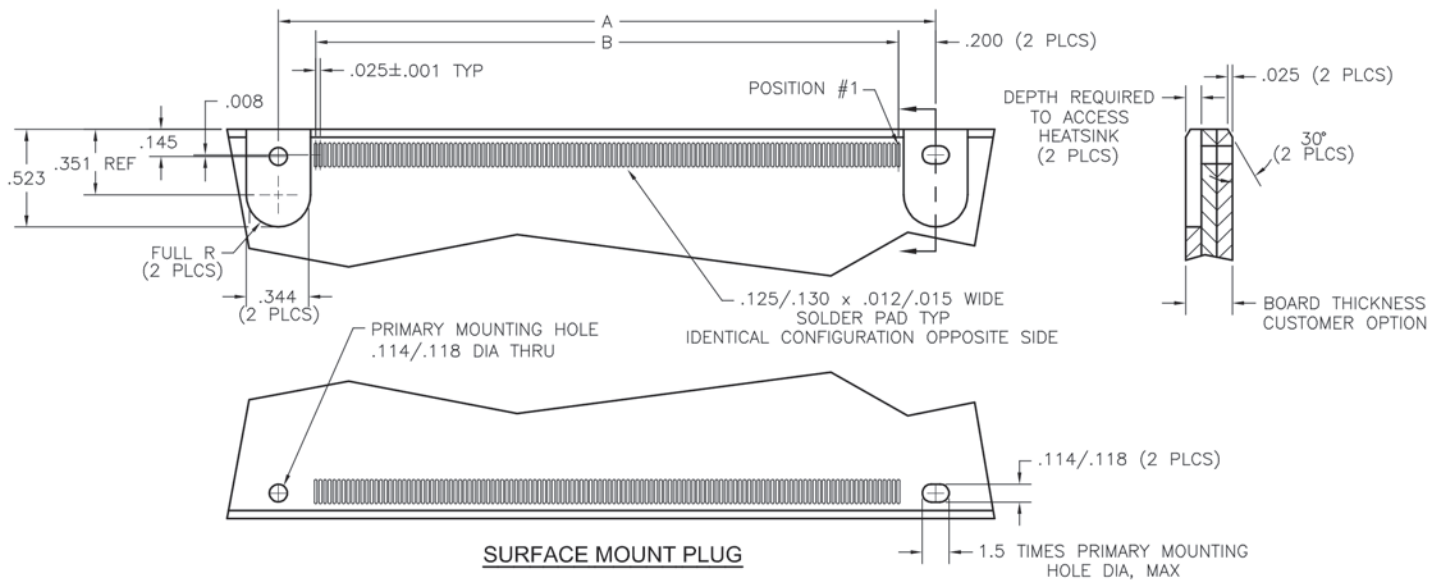
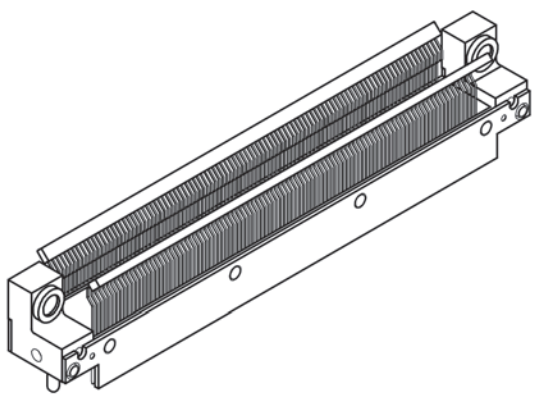


6 · ROW Straight SMT Plug .075"

RM6

162 thru 402 Contacts
Recommended
Board Layout

DIMENSIONS		
SIZE	A	B
162	2.400	2.000
204	2.925	2.525
252	3.525	3.125
300	4.125	3.725
360	4.875	4.475
402	5.400	5.000



SIZE	CONTACT ID	SIZE	CONTACT ID
162	C162	300	C300
	C161		C299
	C160		C298
	C158		C297
	C86		C296
	C85		C155
C84	C154		
C83	C153		
C82	C152		
C81	C151	360	C360
C80	C149		C359
C79	C148		C358
C78	C147		C357
C77	C146		C356
C5	C185		
C4	C184		
C3	C183		
C2	C182		
C1	C181	402	C402
C204	C401		C206
C203	C400		C205
C202	C399		C204
C201	C398		C203
C200	C197		C202
C107	C196	252	C252
C106	C195		C251
C105	C194		C250
C104	C193		C249
C103	C192		C248
C102	C191		C126
C101	C190	C125	
C100	C189	C124	
C99	C188	C123	
C98	C187	C122	
C5	C131	204	C204
C4	C130		C203
C3	C129		C202
C2	C128		C201
C1	C127		C200
C5	C107		C102
C4	C106	C101	
C3	C105	C100	
C2	C104	C99	
C1	C103	C98	



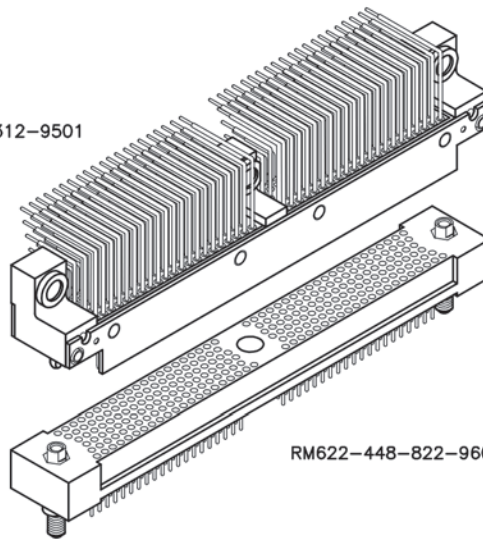
6 · ROW Daughterboard to Motherboard or Chassis

.075"

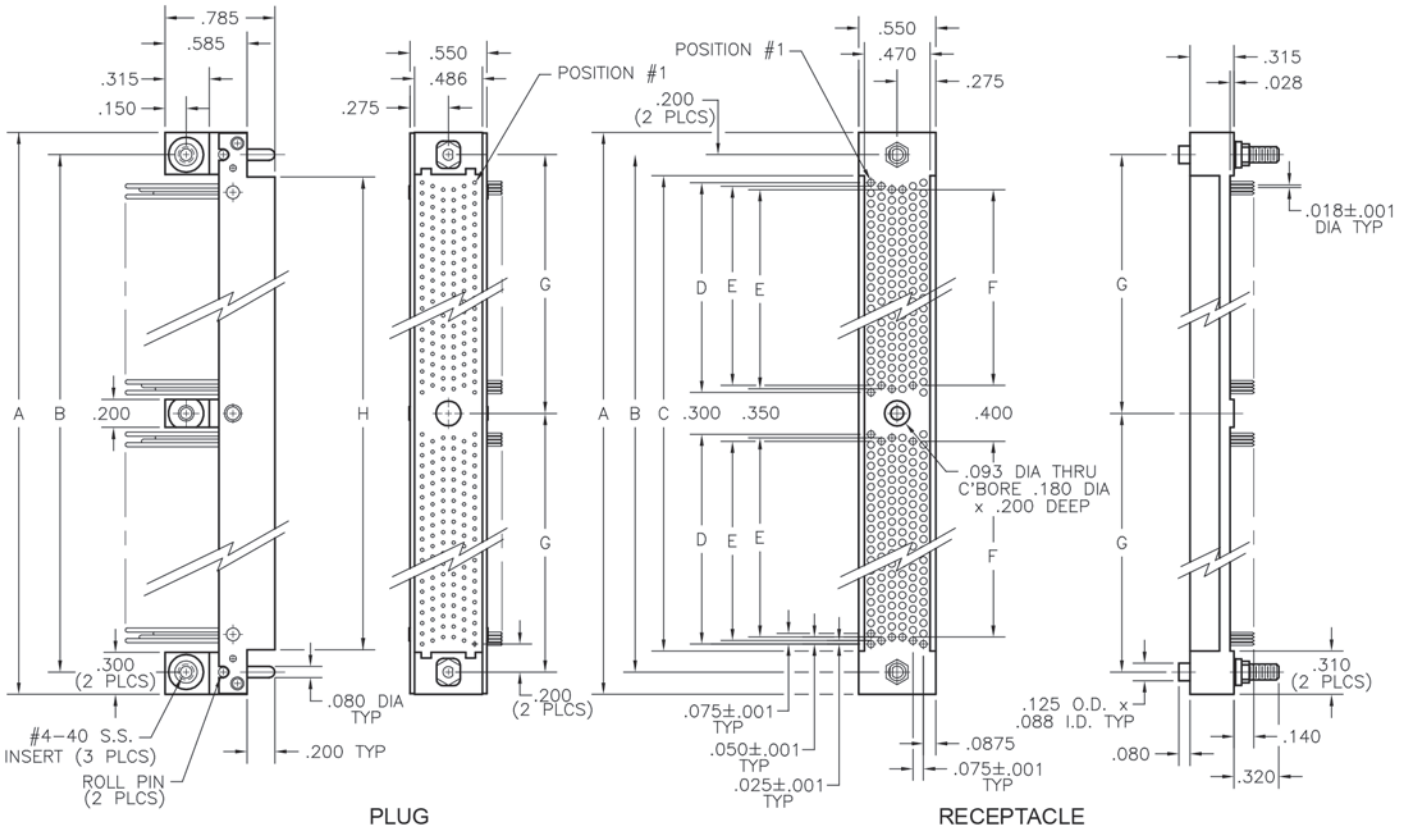
RM6

448 & 604 Contacts

RM652-448-312-9501



RM622-448-822-9601



DIMENSIONS								
SIZE	A	B	C	D	E	F	G	H
448	6.570	6.250	5.950	2.775	2.700	2.675	3.125	5.930
604	8.520	8.200	7.900	3.750	3.675	3.650	4.100	7.880



PLUG: RM652-448-312-9501
 RECEPTACLE: RM622-448-822-9601
 XXXXX-XXX-XXX-XXXX

PLUG

RECEPTACLE

SERIES

RM .075" Screw Machine PC Connector | RM .075" Screw Machine PC Connector

BODY

6 6-Row | 6 6-Row

BODY STYLE:
 5 Plug, right angle, with mounting ears | 2 Receptacle, straight, without mounting ears

BODY MATERIAL:
 2 Polyphenylene sulfide (PPS) | 2 Polyphenylene sulfide (PPS)

SIZE

448, 604 | 448, 604

CONTACTS

TYPE CONTACTS/TERMINATIONS:
 31 Pin, right angle, dip solder, .109" x .019" dia
 32 Pin, right angle, dip solder, .140" x .019" dia
 33 Pin, right angle, dip solder, .172" x .019" dia
 34 Pin, right angle, dip solder, .250" x .019" dia

TYPE CONTACTS/TERMINATIONS:
 75 Socket, straight, dip solder, .250" x .018" dia
 76 Socket, straight, solder cup
 77 Socket, straight, flex, .093" x .017" dia
 81 Socket, straight, dip solder, .109" x .018" dia
 82 Socket, straight, dip solder, .140" x .018" dia
 83 Socket, straight, dip solder, .172" x .018" dia
 87 Socket, straight, press-fit, .188" (Board: .093" - .125" thk)
 88 Socket, straight, press-fit, .308" (Board: .156" - .200" thk)
 89 Socket, straight, press-fit, .388" (Board: .250"+ thk)

PLATING OPTIONS:
 1 Gold plated termination
 2 Pre-tinned termination, SnPb alloy
 3 Pre-tinned termination, SAC305 alloy

PLATING OPTIONS:
 1 Gold plated termination
 2 Pre-tinned termination, SnPb alloy (dip solder options only)
 3 Pre-tinned termination, SAC305 alloy (dip solder options only)

HARDWARE

STYLE OF HARDWARE:
 0256 None
 83 Fixed jackset, reversed, installed
 90 Guide pins, full round, installed
 93 Fixed jackset, installed
 95 Guide pins, polarized, unassembled
 9501 - 9536 Guide pins, polarized, installed
 99 Guide pins, universal, installed

STYLE OF HARDWARE:
 0256 None
 82 Hex turning jackset, reversed, installed, .200 knob
 83 Fixed jackset, reversed, installed, #4-40 x .247" thd ext
 84 Fixed jackset, reversed, installed, #4-40 x .320" thd ext
 91 Guide sockets, full round, installed, #4-40 x .247" thd ext
 92 Hex turning jackset, installed, .200 knob
 93 Fixed jackset, installed, #4-40 x .247" thd ext
 94 Fixed jackset, installed, #4-40 x .320" thd ext
 96 Guide sockets, polarized, unassembled, #4-40 x .320" thd ext
 9601 - 9636 Guide sockets, polarized, installed, #4-40 x .320" thd ext
 97 Guide sockets, polarized, unassembled, #4-40 x .247" thd ext
 9701 - 9736 Guide sockets, polarized, installed, #4-40 x .247" thd ext
 98 Guide sockets, universal, installed, #4-40 x .247" thd ext

POLARIZATION:
 00 None
 01 thru 36 are special identifiers, see page R-57

POLARIZATION:
 00 None
 01 thru 36 are special identifiers, see page R-57

= Option not RoHS compliant



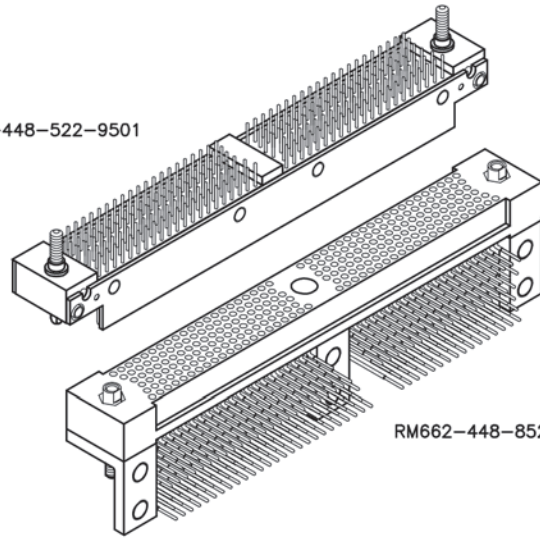
6 · ROW Motherboard or Chassis to Daughterboard

.075"

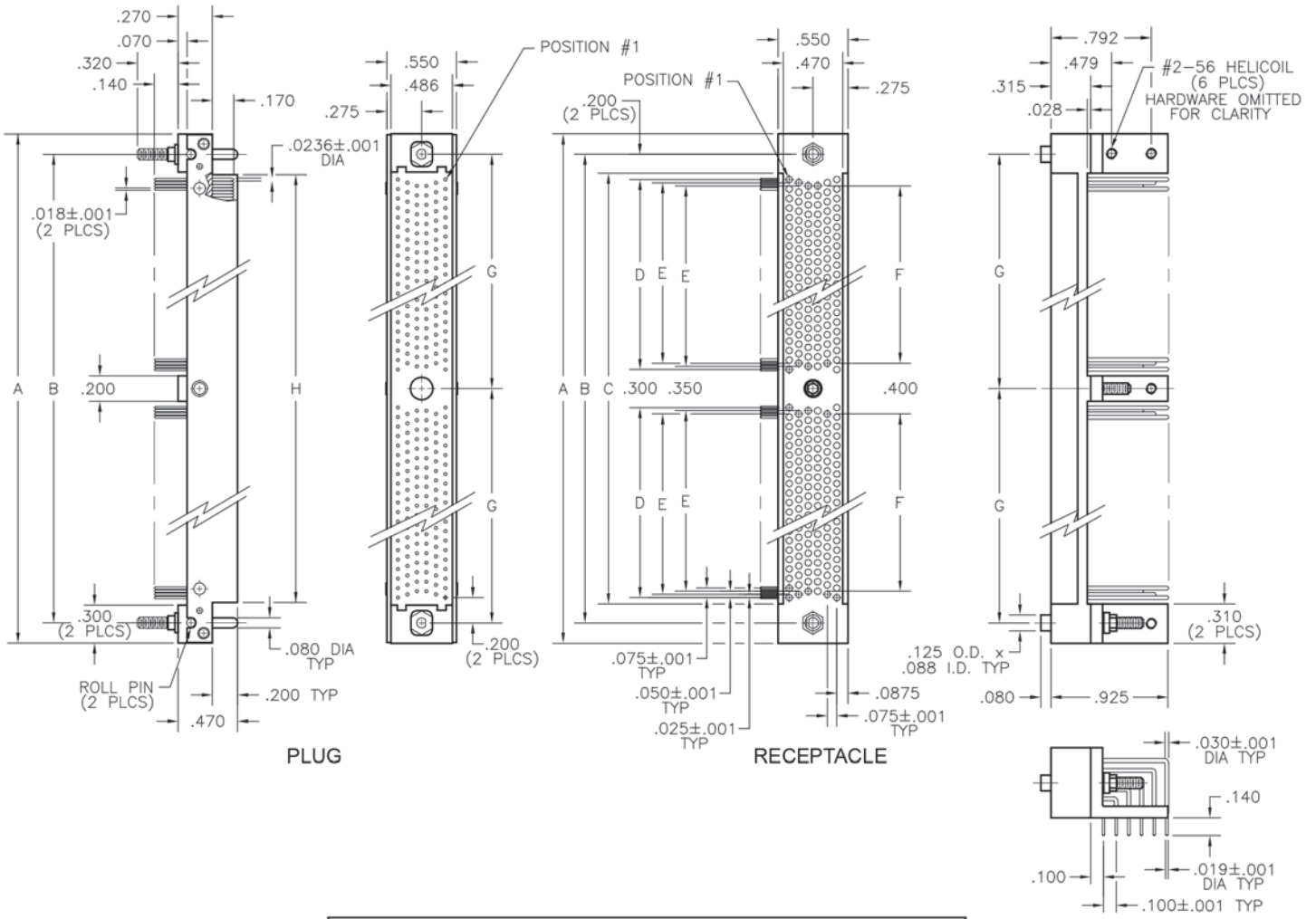
RM6

448 & 604 Contacts

RM612-448-522-9501



RM662-448-852-9601



DIMENSIONS								
SIZE	A	B	C	D	E	F	G	H
448	6.570	6.250	5.950	2.775	2.700	2.675	3.125	5.930
604	8.520	8.200	7.900	3.750	3.675	3.650	4.100	7.880



PLUG: RM612-448-522-9501
 RECEPTACLE: RM662-448-852-9601
 XXXXX-XXX-XXX-XXXX

PLUG

RECEPTACLE

SERIES

RM .075" Screw Machine PC Connector | RM .075" Screw Machine PC Connector

BODY

6	6-Row	6	6-Row
BODY STYLE: 1 Plug, straight, without mounting ears		BODY STYLE: 6 Receptacle, right angle, with metal mount brackets	
BODY MATERIAL: 2 Polyphenylene sulfide (PPS)		BODY MATERIAL: 2 Polyphenylene sulfide (PPS)	

SIZE

448, 604 | 448, 604

CONTACTS

TYPE CONTACTS/TERMINATIONS:		TYPE CONTACTS/TERMINATIONS:	
17	Pin, straight, solder cup	84	Socket, right angle, dip solder, .109" x .019" dia
40	Pin, straight, flex .093" x .017" dia	85	Socket, right angle, dip solder, .140" x .019" dia
51	Pin, straight, dip solder, .109" x .018" dia	86	Socket, right angle, dip solder, .172" x .019" dia
52	Pin, straight, dip solder, .140" x .018" dia		
53	Pin, straight, dip solder, .172" x .018" dia		
54	Pin, straight, dip solder, .250" x .018" dia		

PLATING OPTIONS:		PLATING OPTIONS:	
1	Gold plated termination	1	Gold plated termination
2	Pre-tinned termination, SnPb alloy (dip solder options only) <input checked="" type="checkbox"/>	2	Pre-tinned termination, SnPb alloy <input checked="" type="checkbox"/>
3	Pre-tinned termination, SAC305 alloy (dip solder options only)	3	Pre-tinned termination, SAC305 alloy

HARDWARE

STYLE OF HARDWARE:		STYLE OF HARDWARE:	
0256	None	0256	None
82	Hex turning jackset, reversed, installed, .200 knob	82	Hex turning jackset, reversed, installed, .200 knob
83	Fixed jackset, reversed, installed #4-40 x .247" thd ext	83	Fixed jackset, reversed, installed
84	Fixed jackset, reversed, installed #4-40 x .320" thd ext	91	Guide sockets, full round, installed
90	Guide pins, full round, installed #4-40 x .320" thd ext	92	Hex turning jackset, installed, .200 knob
92	Hex turning jackset, installed, .200 knob	93	Fixed jackset, installed
93	Fixed jackset, installed, #4-40 x .247" thd ext	96	Guide sockets, polarized, unassembled
94	Fixed jackset, installed, #4-40 x .320" thd ext	9601 - 9636	Guide sockets, polarized, installed
95	Guide pins, polarized, unassembled, #4-40 x .320" thd ext	97	Guide sockets, polarized, unassembled
9501 - 9536	Guide pins, polarized, installed, #4-40 x .320" thd ext	9701 - 9736	Guide sockets, polarized, installed
99	Guide pins, universal, installed #4-40 x .320" thd ext	98	Guide sockets, universal, installed
			Note: Includes mounting bracket when right angle contacts are supplied

POLARIZATION:		POLARIZATION:	
00	None	00	None
01	thru 36 are special identifiers, see page R-57	01	thru 36 are special identifiers, see page R-57

= Option not RoHS compliant



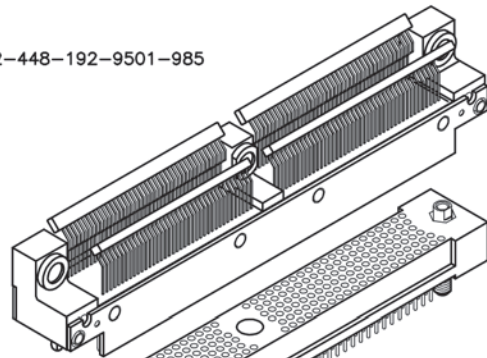
6 · ROW Daughterboard to Motherboard or Chassis

.075"

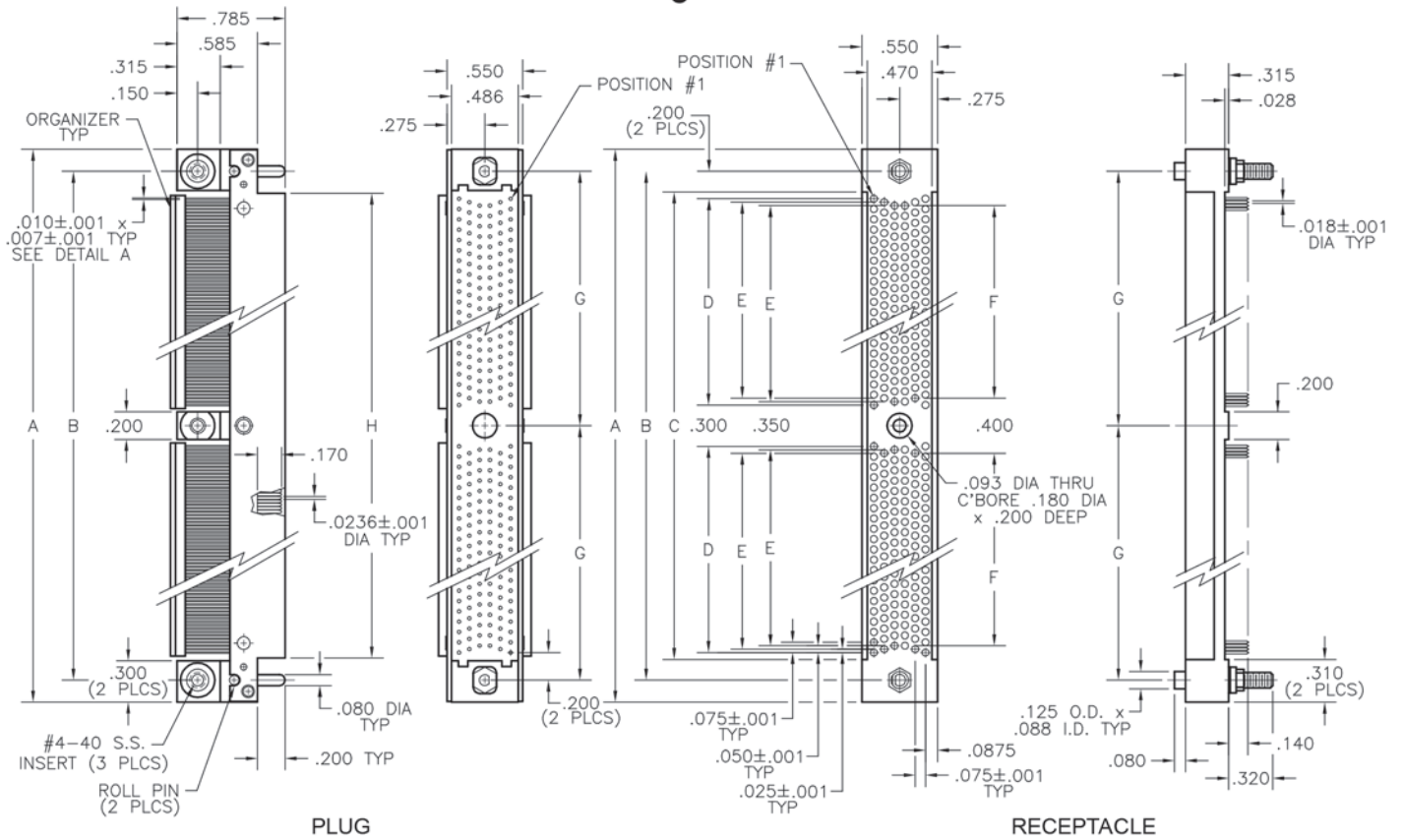
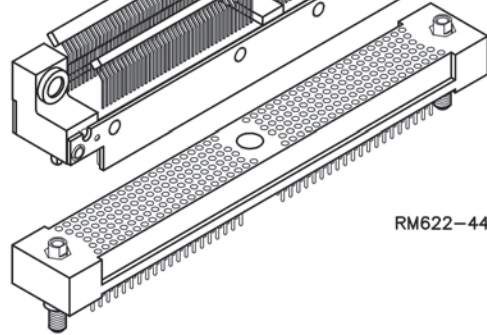
RM6

448 & 604 Contacts

RM612-448-192-9501-985

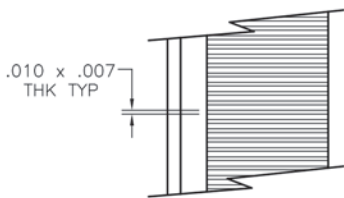


RM622-448-822-9601



PLUG

RECEPTACLE



DETAIL A

DIMENSIONS								
SIZE	A	B	C	D	E	F	G	H
448	6.570	6.250	5.950	2.775	2.700	2.675	3.125	5.930
604	8.520	8.200	7.900	3.750	3.675	3.650	4.100	7.880



PLUG: RM612-448-192-9501-985
 RECEPTACLE: RM622-448-822-9601
 XXXXX-XXX-XXX-XXXX-XXX

PLUG

RECEPTACLE

SERIES

RM .075" Screw Machine PC Connector | RM .075" Screw Machine PC Connector

BODY

6	6-Row	6	6-Row
BODY STYLE:		BODY STYLE:	
1	Plug, SMT, with mounting ears	2	Receptacle, straight, without mounting ears
BODY MATERIAL:		BODY MATERIAL:	
2	Black anodized side shield (PPS)	2	Black anodized side shield (PPS)
5	Nickel plated side shield (PPS)	5	Nickel plated side shield (PPS)

SIZE

448, 604 | 448, 604

CONTACTS

TYPE CONTACTS/TERMINATIONS:		TYPE CONTACTS/TERMINATIONS:	
19	Pin, SMT, .014" x .007" tail, scored for organizer removal (see R-56)	75	Socket, straight, dip solder, .250" x .018" dia
39	Pin, SMT, .014" x .007" tail, unscored	76	Socket, straight, solder cup
		77	Socket, straight, flex, .093" x .017" dia
		81	Socket, straight, dip solder, .109" x .018" dia
		82	Socket, straight, dip solder, .140" x .018" dia
		83	Socket, straight, dip solder, .172" x .018" dia
		87	Socket, straight, press-fit, .188" (Board: .093" - .125" thk)
		88	Socket, straight, press-fit, .308" (Board: .156" - .200" thk)
		89	Socket, straight, press-fit, .388" (Board: .250"+ thk)
PLATING OPTIONS:		PLATING OPTIONS:	
2	Pre-tinned termination, SnPb alloy <input checked="" type="checkbox"/>	1	Gold plated termination
3	Pre-tinned termination, SAC305 alloy	2	Pre-tinned termination, SnPb alloy (dip solder options only) <input checked="" type="checkbox"/>
		3	Pre-tinned termination, SAC305 alloy (dip solder options only)

HARDWARE

STYLE OF HARDWARE:		STYLE OF HARDWARE:	
0256	None	0256	None
83	Fixed jackset, reversed, installed	82	Hex turning jackset, reversed, installed, .200 knob
90	Guide pins, full round, installed	83	Fixed jackset, reversed, installed, #4-40 x .247 thd ext
93	Fixed jackset, installed	84	Fixed jackset, reversed, installed, #4-40 x .320 thd ext
95	Guide pins, polarized, unassembled	91	Guide sockets, full round, installed, #4-40 x .247" thd ext
9501 - 9536	Guide pins, polarized, installed	92	Hex turning jackset, installed, .200 knob
99	Guide pins, universal, installed	93	Fixed jackset, installed, #4-40 x .247 thd ext
		94	Fixed jackset, installed, #4-40 x .320 thd ext
		96	Guide sockets, polarized, unassembled, #4-40 x .320" thd ext
		9601 - 9636	Guide sockets, polarized, installed, #4-40 x .320" thd ext
		97	Guide sockets, polarized, unassembled, #4-40 x .247" thd ext
		9701 - 9736	Guide sockets, polarized, installed, #4-40 x .247" thd ext
		98	Guide sockets, universal, installed, #4-40 x .247" thd ext
POLARIZATION:		POLARIZATION:	
00	None	00	None
01	thru 36 are special identifiers, see page R-57	01	thru 36 are special identifiers, see page R-57

OPTIONS

9XX SMT configuration code, see page R-56

= Option not RoHS compliant



6 · ROW

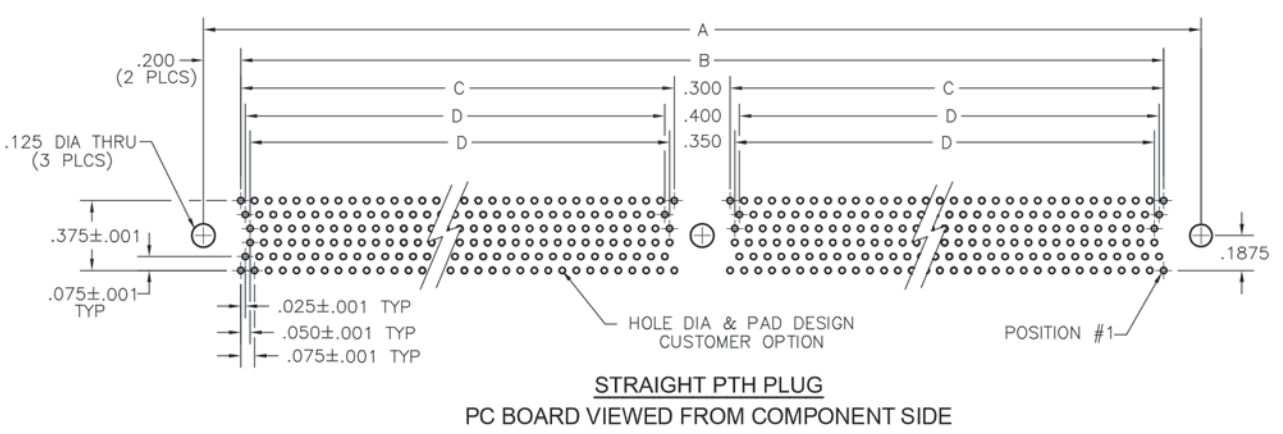
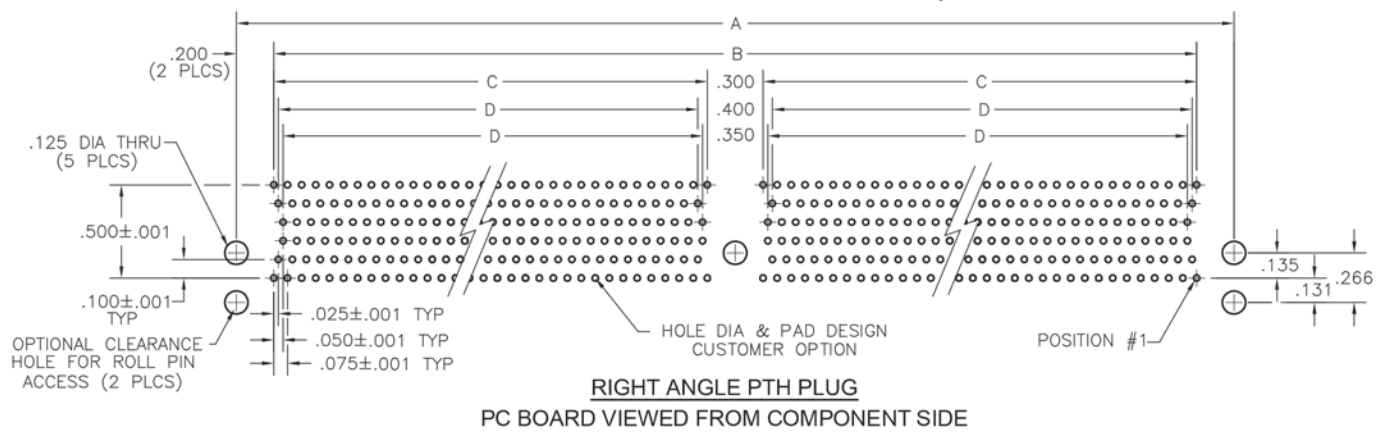
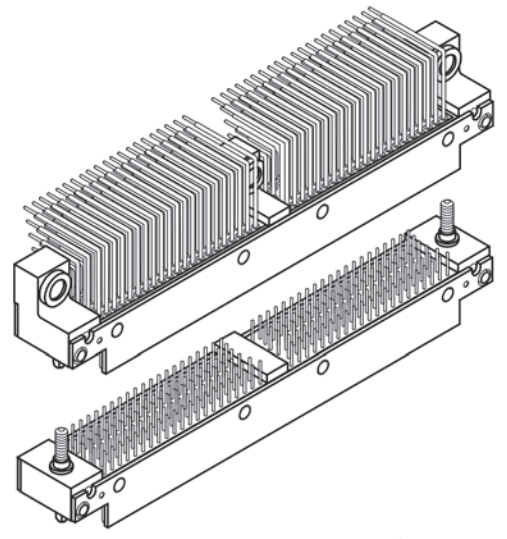
Right Angle PTH Plug Straight PTH Plug

.075"

RM6

448 & 604 Contacts
Recommended
Board Layout

DIMENSIONS				
SIZE	A	B	C	D
448	6.250	5.850	2.775	2.700
604	8.200	7.800	3.750	3.675



SIZE	CONTACT ID				SIZE	CONTACT ID																			
448	448	445	442	343	340	337	336	333	330	231	228	225	604	604	601	598	460	457	454	453	450	447	309	306	303
	447	444	441	345	342	339	334	331	328	232	229	226		603	600	597	462	459	456	451	448	445	310	307	304
	446	443	440	344	341	338	335	332	329	233	230	227		602	599	596	461	458	455	452	449	446	311	308	305
	222	219	216	120	117	114	111	108	105	9	6	3		500	297	294	159	156	153	150	147	144	9	6	3
	223	220	217	121	118	115	110	107	104	8	5	2		301	298	295	160	157	154	149	146	143	8	5	2
	224	221	218	119	116	113	112	109	106	7	4	1		302	299	296	158	155	152	151	148	145	7	4	1

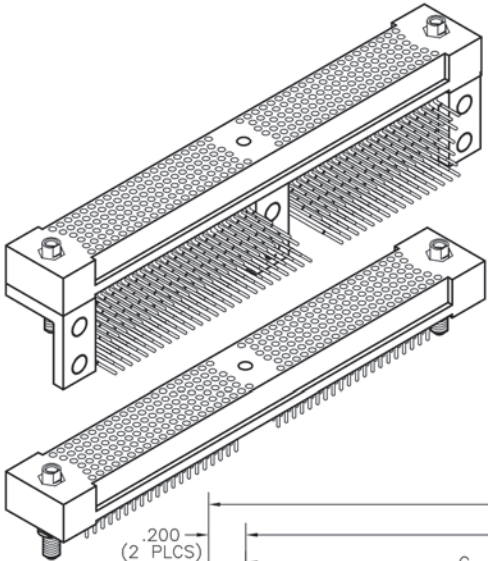
6 · ROW

Right Angle PTH Rcpt Straight PTH Rcpt

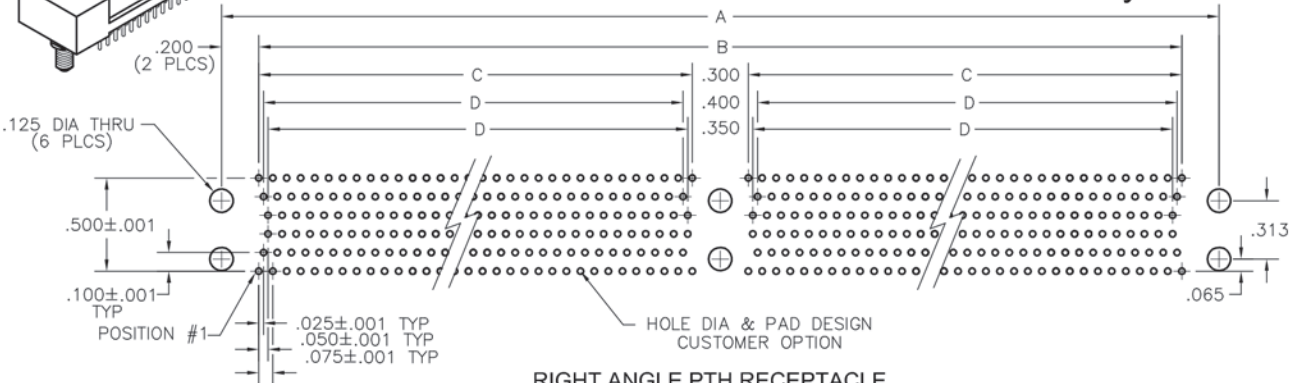
.075"

RM6

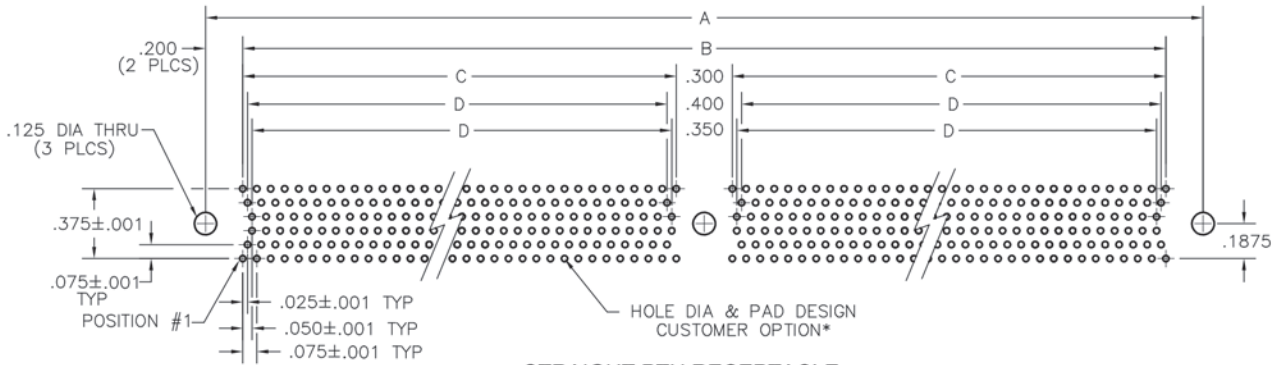
448 & 604 Contacts
Recommended
Board Layout



DIMENSIONS				
SIZE	A	B	C	D
448	6.250	5.850	2.775	2.700
604	8.200	7.800	3.750	3.675



RIGHT ANGLE PTH RECEPTACLE
PC BOARD VIEWED FROM COMPONENT SIDE



STRAIGHT PTH RECEPTACLE
PC BOARD VIEWED FROM COMPONENT SIDE

*COMPLIANT TERMINATIONS PCB REQUIREMENTS:
Board Material: FR-4 w/ 1.0 oz. copper
Minimum nominal board thickness: .062"
Drilled hole: .0319"-.0339"
Copper plating thickness: .0010" minimum
Tin-lead plating thickness: .0006" maximum
Electroplated tin-lead composition: 63/37 (Sn/Pb)
Finished hole diameter: .028"±.002"

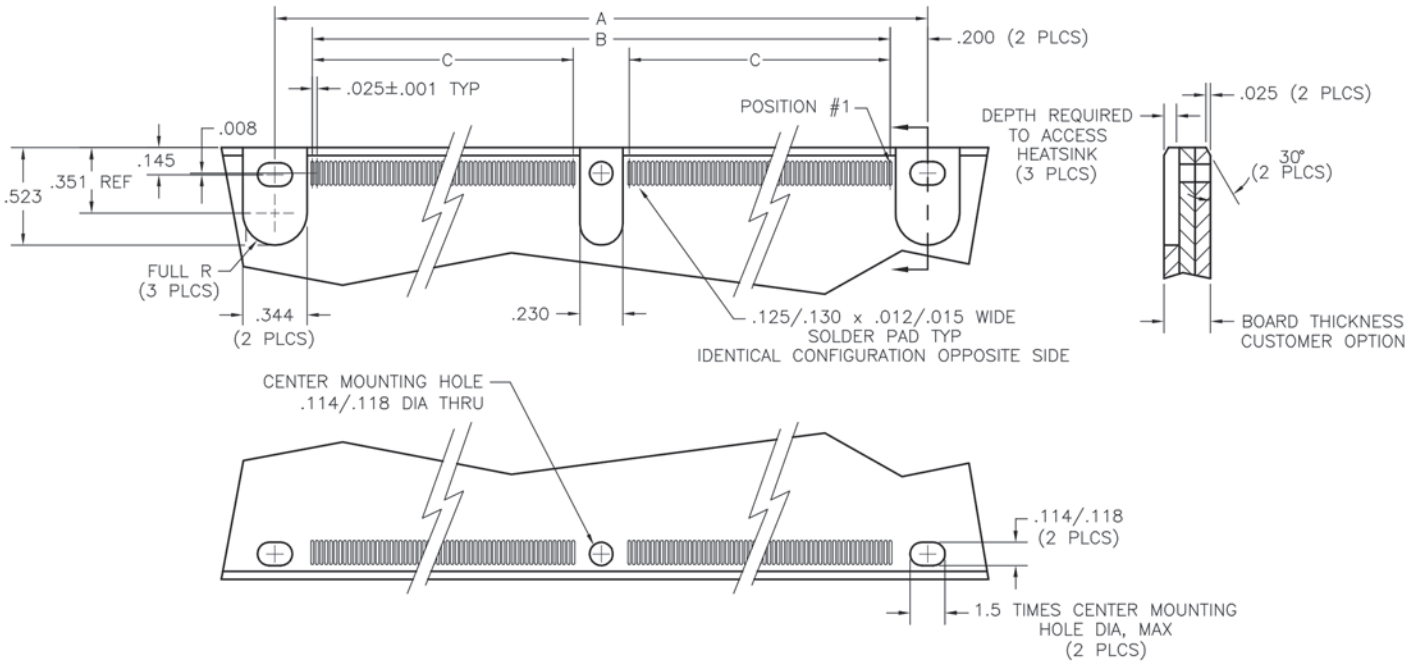
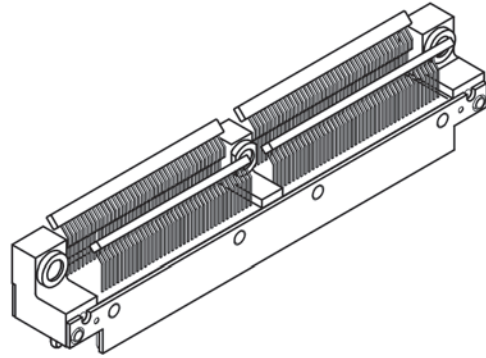
SIZE	CONTACT ID				SIZE	CONTACT ID			
448	225 228 231	530 533 536	537 540 543	442 445 448	604	503 506 509	447 450 453	454 457 460	598 601 604
	226 229 232	528 531 534	539 542 545	441 444 447		504 507 510	445 448 451	455 458 462	597 600 603
	227 230 233	529 532 535	538 541 544	440 443 446		505 508 511	446 449 452	456 459 461	596 599 602
	3 6 9	105 108 111	114 117 120	216 219 222		3 6 9	144 147 150	153 156 159	294 297 300
	2 5 8	104 107 110	115 118 121	217 220 223		2 5 8	143 146 149	154 157 160	295 298 301
1 4 7	106 109 112	113 116 119	218 221 224	1 4 7	145 148 151	152 155 158	296 299 302		

6 · ROW Straight SMT Plug .075"

RM6

448 & 604 Contacts
Recommended
Board Layout

DIMENSIONS			
SIZE	A	B	C
448	6.250	5.850	2.775
604	8.200	7.800	3.750

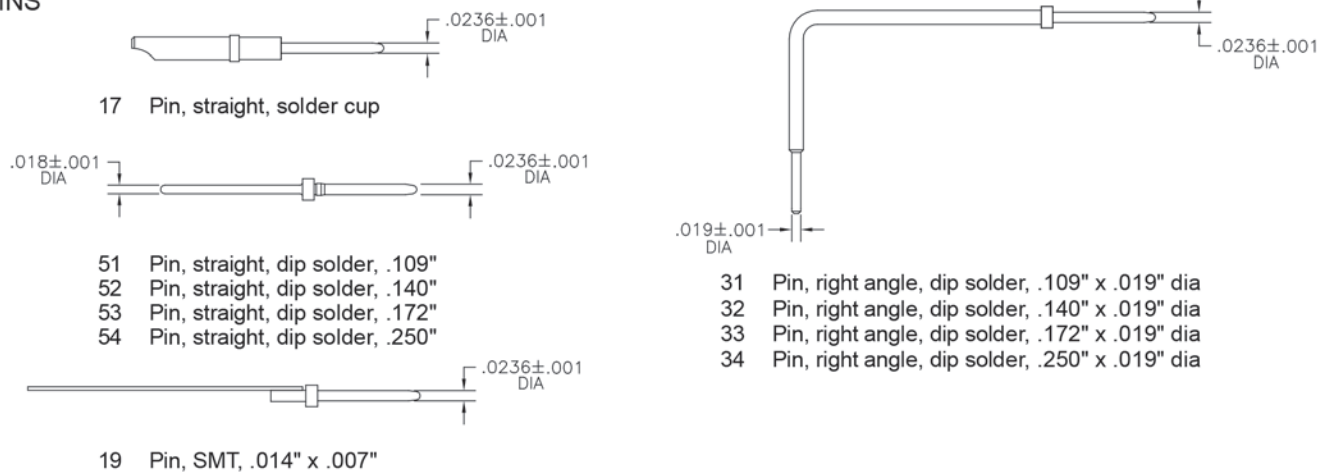


SIZE	CONTACT ID												SIZE	CONTACT ID																											
448	C448D	C447D	C446D	C445D	C444D	C341D	C340D	C339D	C338D	C337D	C336D	C335D	C334D	C333D	C332D	C229D	C228D	C227D	C226D	C225D	604	C604D	C603D	C602D	C601D	C600D	C458D	C457D	C456D	C455D	C454D	C453D	C452D	C451D	C450D	C449D	C307D	C306D	C305D	C304D	C303D
	C224D	C223D	C222D	C221D	C220D	C117D	C116D	C115D	C114D	C113D	C112D	C111D	C110D	C109D	C108D	C5D	C4D	C3D	C2D	C1D		C302D	C301D	C300D	C299D	C298D	C156D	C155D	C154D	C153D	C152D	C151D	C150D	C149D	C148D	C147D	C5D	C4D	C3D	C2D	C1D

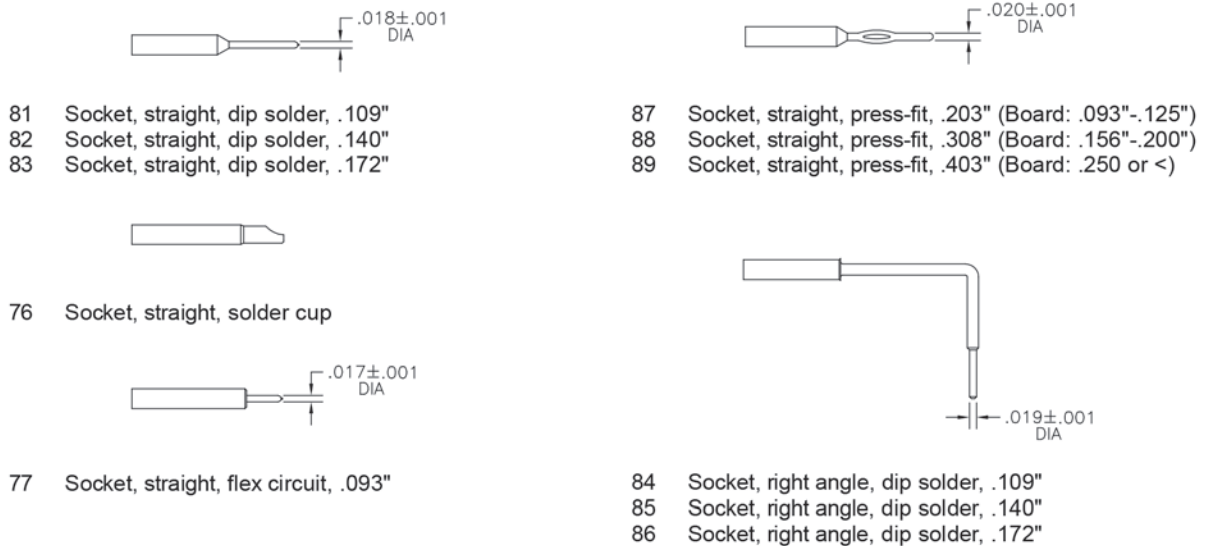
Contacts 6 Row

Pins and Sockets

PINS



SOCKETS





Specifications - Stackable Compliant Pin Connectors (075)

Materials and Finishes *

Contacts:	BeCu, per ASTM-B768 (BeCu C17410 Brush Alloy 174).
Contact Finish:	Gold plate per MIL-G-45204 over Nickel plating per IAW QQ-N-290.
Molded Insulators:	Glass filled polyphenylene sulfide (PPS) per MIL-M-24519.
Screws:	Stainless steel per ASTM-A-582, passivated per ASTM-A-967.
Guide Pins, Guide Sockets:	BeCu per ASTM-B-196, ASTM-B-197, Nickel plated per QQ-N-290.
Connector Markings:	Per MIL-C-55302. Additionally, end row contact numbers are identified on the mating face of the connector and the pin #1 locator identified on the side of the connector base.
Tolerances:	Unless otherwise specified: Fractions = $\pm 1/64$ " Decimals = $\pm .010$ " Angles = $\pm 5^\circ$

Note: AirBorn can manufacture special configurations for your exact specifications.

* = Reference the above listed specifications or an equivalent industry standard when applicable



Performance - Stackable Compliant Pin Connectors (075)

Reference Modified MIL-C-55302, MIL-C-28859, MIL-STD-2166 and ANSI/EIA-616.

Contact Current Rating:	3 Amperes
Operating Temperature:	-65° to +125° C or -85° to +257° F
DWV Test Voltage:	750 V, RMS, 60 Hz @ sea level
Insulation Resistance:	5,000 megohms minimum @ 500 VDC
Durability:	500 connector mating cycles
Contact Resistance:	3 to 5 milliohms (contact length dependent)
Contact Engagement Force:	4.0 oz. (113 g.) maximum w/.0246" dia. test pin
Contact Separation Force:	0.5 oz. (14 g.) minimum w/.0226" dia. test pin.
Total Mating Force:	Maximum, 4.0 oz. (113 g.) X number of contacts Average 2.5 oz. (70 g.) X number of contacts
Compliant Insertion and Removal Forces:	Maximum insertion force ... 22.5 pounds (10.22 Kg.) Minimum retention force after conditioning ... 4.5 pounds (2.04 Kg.)
Suggested Board and Plated Through Hole Requirements:	Board material ... FR-4 with 1.0 oz. copper. Minimum board thickness058". Drilled Hole0319" - .0339". Copper plating thickness0010" minimum Tin-lead plating thickness0003" minimum. Electroplated tin-lead composition ... 63/37 (Sn/Pb) Finished hole diameter028" ±.002



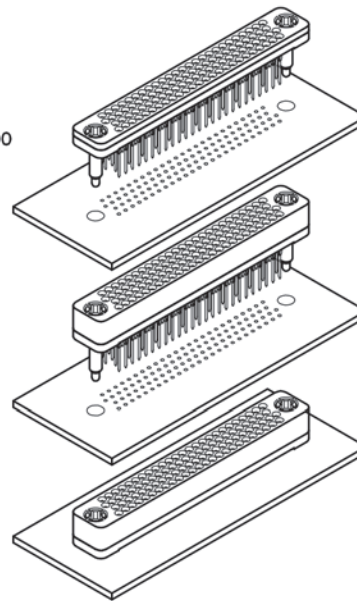
4 · ROW Press Fit Stackable

.075"

RC4

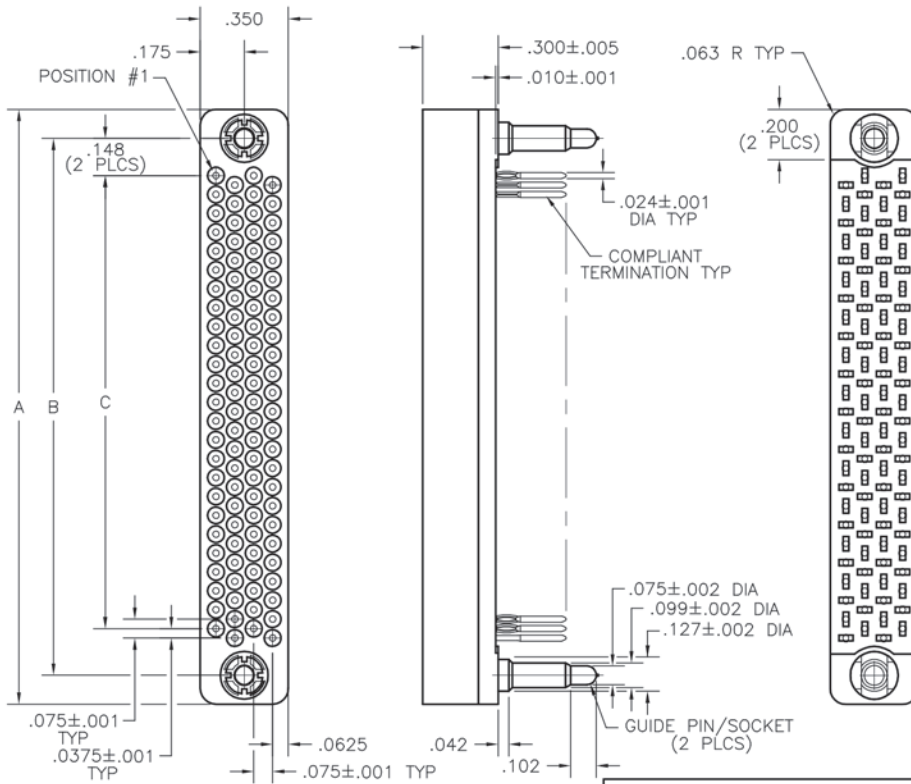
28 thru 300 Contacts

RC442-100-301-3900

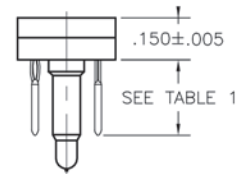


RC422-100-201-3900

RC422-100-101-3000

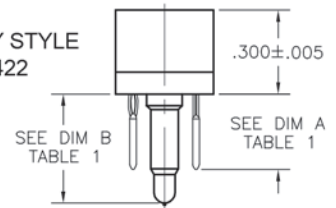


BODY STYLE 442

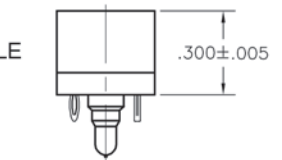


OPTIONAL INSULATOR FOR TOP CONNECTOR TERMINATION
OPTIONS: 301, 311, 321, 331, 341, 351, 361, 371 AND 381 (W/CIRCUIT TEST POINT)

BODY STYLE 422



BODY STYLE 422



CONTACT/HARDWARE OPTION 101 (TERMINATES CIRCUIT)

DIMENSIONS			
SIZE	A	B	C
28	1.014	.784	.450
52	1.464	1.234	.900
76	1.914	1.684	1.350
100	2.364	2.134	1.800
128	2.889	2.659	2.325
152	3.339	3.109	2.775
200	4.239	4.009	3.675
252	5.214	4.984	4.650
300	6.114	5.884	5.550

CONTACT TERMINATION	TABLE 1	
	CONTACT A	HARDWARE B
201, 301	.270	.370
211, 311	.300	.400
221, 321	.400	.500
231, 331	.500	.600
241, 341	.700	.800
251, 351	.800	.900
261, 361	.900	1.000
271, 371	.600	.700
281, 381	1.000	1.100
101	.095	.195

RC422-100-211-4000
 XXXXX-XXX-XXX-XXXX

SERIES

RC Press fit stackable PC connector

BODY

BODY STYLE:

- 422 4 Row receptacle
- 442 4 Row low profile receptacle (Requires 3XX contact)

SIZE

028, 052, 076, 100, 128, 152, 200, 252, 300

CONTACTS

TYPE CONTACTS/TERMINATIONS:

- 101 Socket contact, press fit tail .095" (Use with body style 422 only)
- 201 Socket contact, press fit tail .270" (Use with body style 422 only)
- 211 Socket contact, press fit tail .300" (Use with body style 422 only)
- 221 Socket contact, press fit tail .400" (Use with body style 422 only)
- 231 Socket contact, press fit tail .500" (Use with body style 422 only)
- 241 Socket contact, press fit tail .700" (Use with body style 422 only)
- 251 Socket contact, press fit tail .800" (Use with body style 422 only)
- 261 Socket contact, press fit tail .900" (Use with body style 422 only)
- 271 Socket contact, press fit tail .600" (Use with body style 422 only)
- 281 Socket contact, press fit tail 1.000" (Use with body style 422 only)
- 301 Press fit tail .270" (Use with body style 442 or 422)
- 311 Press fit tail .300" (Use with body style 442 or 422)
- 321 Press fit tail .400" (Use with body style 442 or 422)
- 331 Press fit tail .500" (Use with body style 442 or 422)
- 341 Press fit tail .700" (Use with body style 442 or 422)
- 351 Press fit tail .800" (Use with body style 442 or 422)
- 361 Press fit tail .900" (Use with body style 442 or 422)
- 371 Press fit tail .600" (Use with body style 442 or 422)
- 381 Press fit tail 1.000" (Use with body style 442 or 422)

HARDWARE

GUIDE HARDWARE

- 3000 Use with -101 contact
- 3900 Use with -201 or -301 contact
- 4000 Use with -211 or -311 contact
- 4100 Use with -221 or -321 contact
- 4200 Use with -231 or -331 contact
- 4300 Use with -241 or -341 contact
- 4400 Use with -251 or -351 contact
- 4500 Use with -261 or -361 contact
- 4600 Use with -271 or -371 contact
- 4700 Use with -281 or -381 contact

FIXED JACKSOCKET (to mate with RC cable only)

- 30FT Use with -101 contact
- 39FT Use with -201 or -301 contact
- 40FT Use with -211 or -311 contact
- 41FT Use with -221 or -321 contact
- 42FT Use with -231 or -331 contact
- 43FT Use with -241 or -341 contact
- 44FT Use with -251 or -351 contact
- 45FT Use with -261 or -361 contact
- 46FT Use with -271 or -371 contact
- 47FT Use with -281 or -381 contact

CONTACT/
TERMINATION
TYPES



101



201 251
 211 261
 221 271
 231 281
 241



301 351
 311 361
 321 371
 331 381
 341

Minimum contact engagement from mating face (.305" insulator height)114"
 Maximum contact engagement from mating face (.295" insulator height)214"
 Minimum PWB thickness058"

4 Row Press Fit Stackable Tools Available:
 Cap Removal Tool - AirBorn part number CDG10056
 Contact Removal Tool - AirBorn part number CDG10057

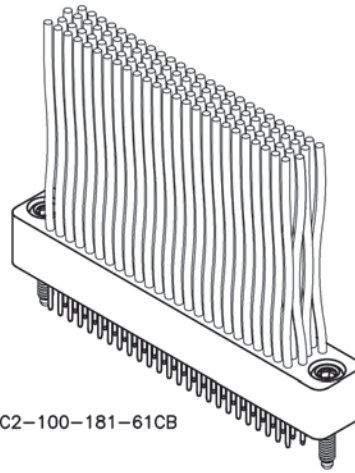


4 · ROW Press Fit Stackable Cable Mate

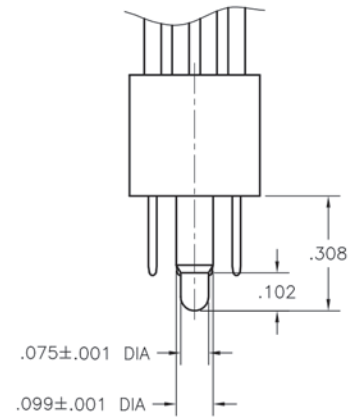
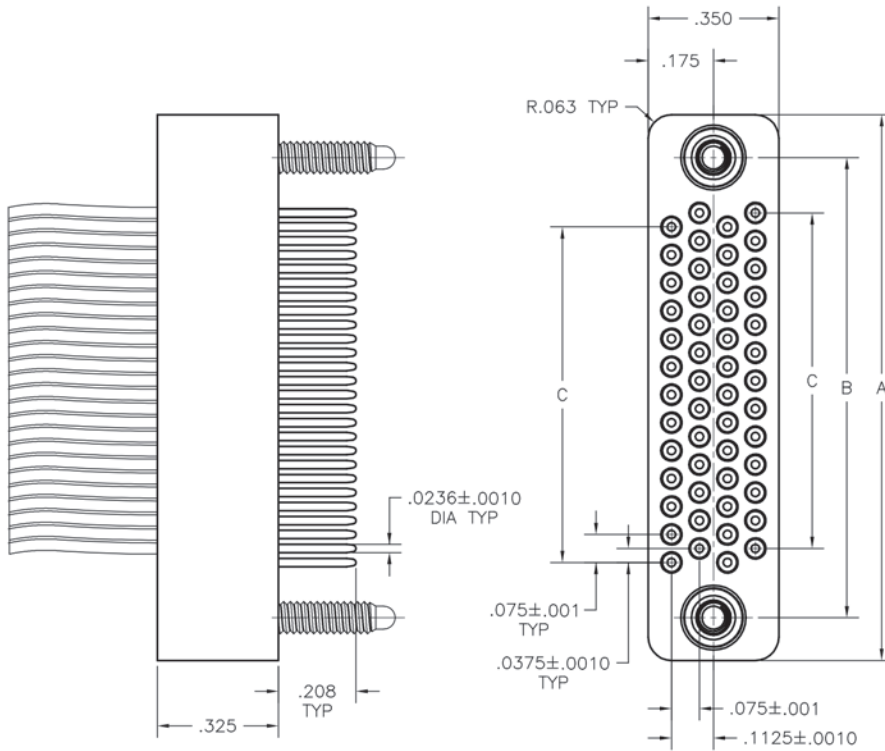
.075"

RC4

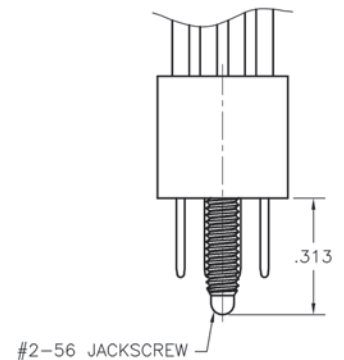
28 thru 152 Contacts



RC4C2-100-181-61CB



HARDWARE STYLE
57



HARDWARE STYLE
61

DIMENSIONS			
SIZE	A	B	C
28	1.014	.784	.450
52	1.464	1.234	.900
76	1.914	1.684	1.350
100	2.364	2.134	1.800
128	2.889	2.659	2.325
152	3.339	3.109	2.775

RC4C2-100-181-61CB
XXXXX-XXX-XXX-XXXX

SERIES	
RC	Press fit stackable PC connector
BODY	
BODY STYLE:	
4C2	4 Row plug with potting well
SIZE	
028, 052, 076, 100, 128, 152	
CONTACTS	
TYPE CONTACTS/TERMINATIONS:	
111	Pin, straight, solder cup
151	Pin, straight, flex circuit
181	Pin, straight, stranded wire (24-26 awg)
191	Pin, straight, stranded wire (28-30 awg)
HARDWARE	
STYLE OF HARDWARE:	
00	None
57	Guide pins, non-polarized
61	Hex turning jackscrews (must have fixed jackscket hardware on board connector)
WIRE	
00	None (solder cup or flex)
XX	See Wire Codes at right

WIRE CODES

TYPE and COLOR			LENGTH	
Code	Size	Color	Code	Length (+1"/-0")
Mil-W-16878/4				
C	24 awg	Ten repeating	A	6"
D	24 awg	White	B	12"
E	26 awg	Ten repeating	C	18"
F	26 awg	White	D	24"
G	28 awg	Ten repeating	E	30"
H	28 awg	White	F	36"
J	30 awg	Ten repeating	G	42"
K	30 awg	White	H	48"
Mil-W-22759/33				
N	24 awg	Ten repeating	J	54"
P	24 awg	White	K	60"
R	26 awg	Ten repeating	L	66"
S	26 awg	White	M	72"
T	28 awg	Ten repeating	N	84"
U	28 awg	White	P	96"
V	30 awg	Ten repeating	R	108"
W	30 awg	White	S	120"

Part number example:

RC4C2-100-181-61CB



Ten repeating colors:

- Black
- Brown
- Red
- Orange
- Yellow
- Green
- Blue
- Violet
- Grey
- White



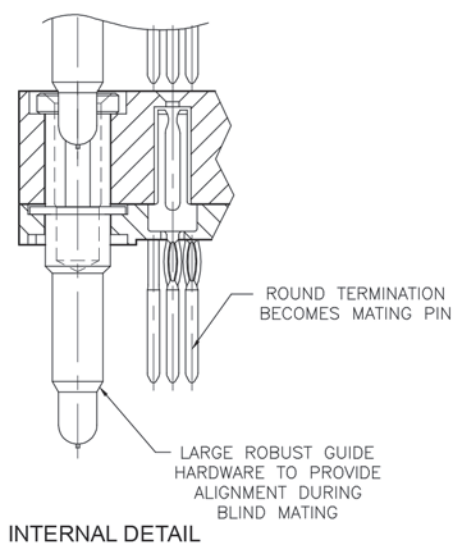
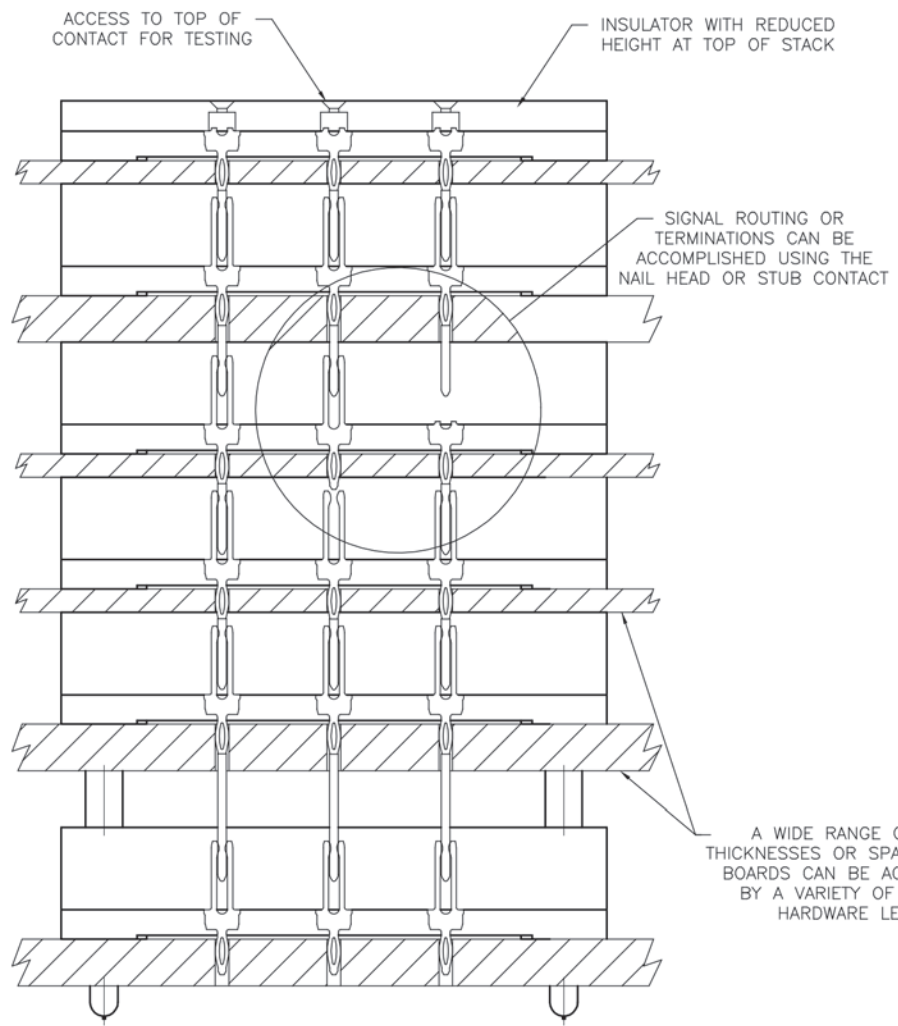
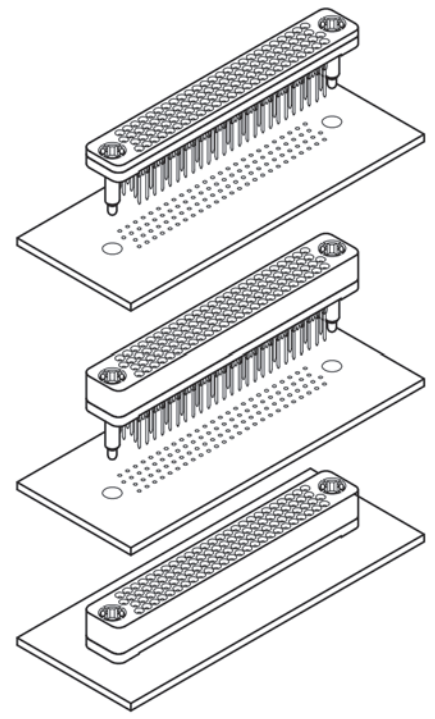
4 · ROW Press Fit Stackable

.075"

RC4

28 thru 300 Contacts

Typical
Applications





ROW · 4

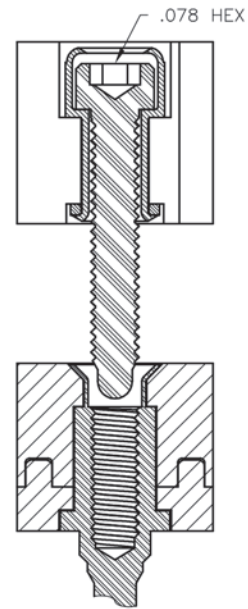
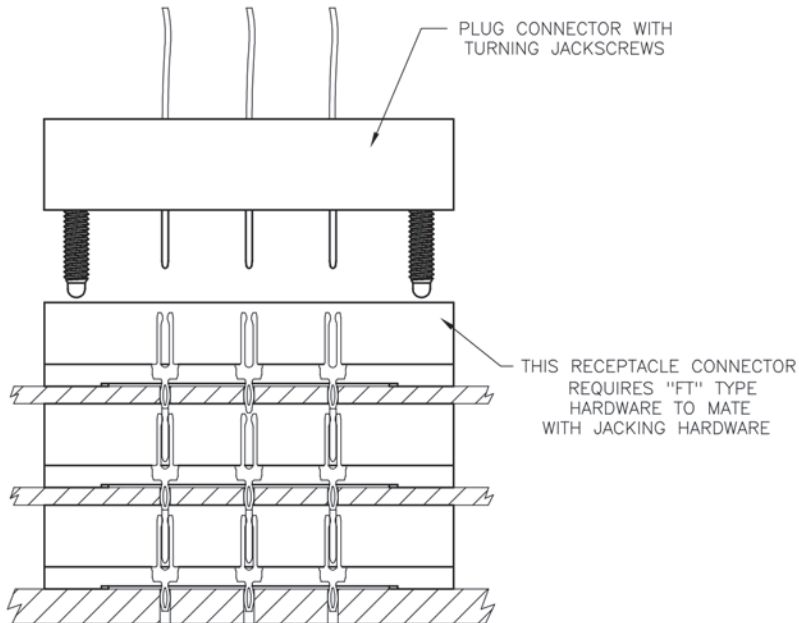
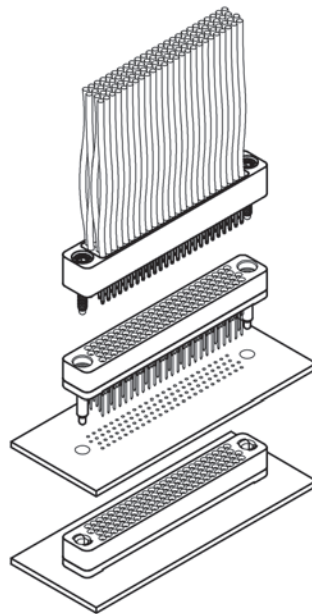
Press Fit Stackable with Cable Mate

.075"

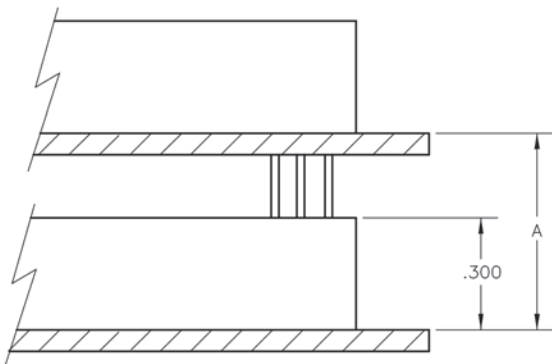
RC4

28 thru 152 Contacts

Typical
Applications



INTERNAL DETAIL



Determine Required Termination Lead Length:

To calculate required termination lead length, use the example below. Measurements listed are in inches.

Dimension A = .720

.720 - .300 (insulator height) = .420

.420 + .114 (minimum pin engagement) = .534

.420 + .214 (maximum pin engagement) = .634

In this example, the termination option to choose is .600 lead length.

The contact termination option will be a length between the minimum and maximum pin engagement measurement. Contact lengths can be found on page R-82.

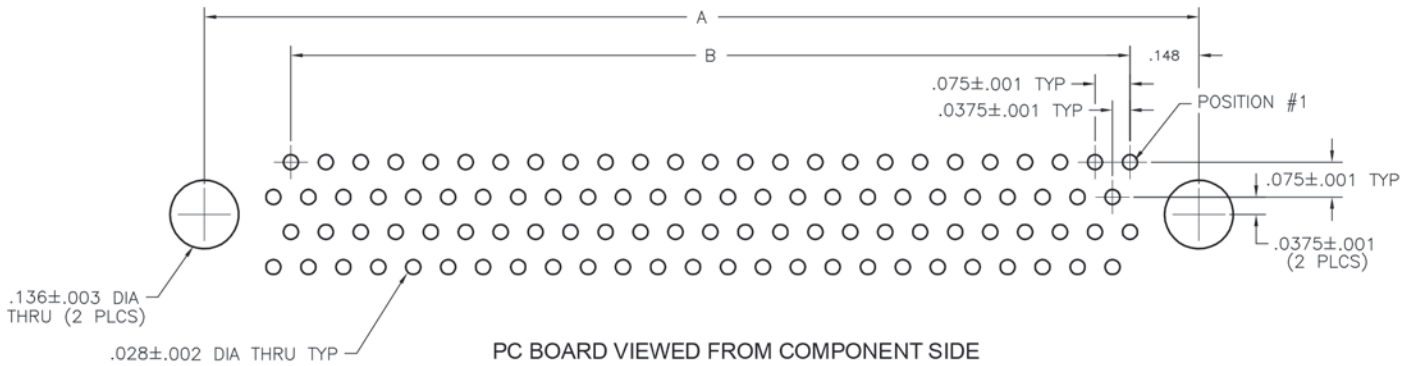
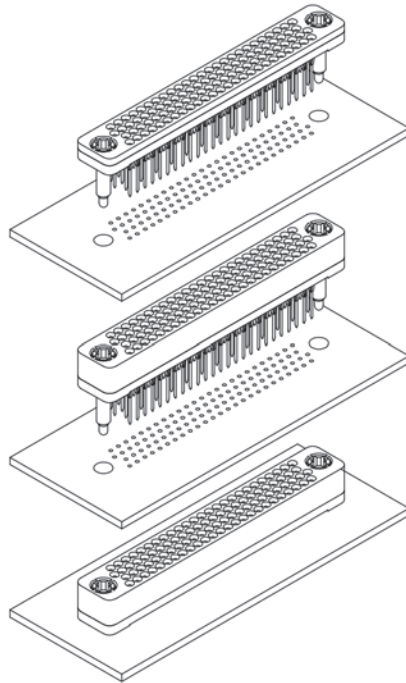
4 · ROW Press Fit Stackable

.075"

RC4

28 thru 300 Contacts

Recommended
Board Layout



SIZE	CONTACT ID	SIZE	CONTACT ID	SIZE	CONTACT ID
28	7 6 5 4 3 2 1	100	25 24 23 3 2 1	200	50 49 48 3 2 1
	14 13 12 11 10 9 8		50 49 48 28 27 26		100 99 98 53 52 51
	21 20 19 18 17 16 15		75 74 73 53 52 51		175 174 173 103 102 101
	28 27 26 25 24 23 22		100 99 98 78 77 76		200 199 198 178 177 176
52	13 12 11 3 2 1	128	32 31 30 3 2 1	252	63 62 61 3 2 1
	26 25 24 16 15 14		64 63 62 35 34 33		126 125 124 66 65 64
	39 38 37 29 28 27		96 95 94 67 66 65		189 188 187 129 128 127
	52 51 50 42 41 40		128 127 126 99 98 97		252 251 250 192 191 190
76	19 18 17 3 2 1	152	38 37 36 3 2 1	300	75 74 73 3 2 1
	38 37 36 22 21 20		76 75 74 41 40 39		150 149 148 78 77 76
	57 56 55 41 40 39		114 113 112 79 78 77		225 224 223 153 152 151
	76 75 74 60 59 58		152 151 150 117 116 115		300 299 298 228 227 226

DIMENSIONS		
SIZE	A	B
28	.784	.450
52	1.234	.900
76	1.684	1.350
100	2.134	1.800
128	2.859	2.325
152	3.109	2.775
200	4.009	3.675
252	4.984	4.650
300	5.884	5.550



Specifications

Materials and Finishes *

Pin Contacts:	Brass C26000, copper alloy C18080, or BeCu C17200
Socket Contacts:	BeCu 17200, BeCu C17410, or copper alloy C18080
Contact Finish:	Selective gold over 50 microinch minimum nickel plating in contact mating areas Option 1: 50 microinch minimum gold Option 2: 30 microinch minimum gold
Molded Insulators:	Glass filled liquid crystal polymer (LCP) per Mil-M-24519
Hardware:	Corrosion resistant steel per ASTM-A-582/A582M; Passivated per ASTM-A-967, SAE AMS-QQ-P-35
Solder Balls:	Option 1: Sn63/Pb37 Eutectic solder Option 2: Lead Free Sn96.5/Ag3.0/Cu0.5
Tolerances:	Unless otherwise specified: Fractions = $\pm 1/64$ " Decimals = ± 0.10 " Angles = $\pm 5^\circ$

Note: AirBorn can manufacture special configurations for your exact specifications.

* = Reference the above listed specifications or an equivalent industry standard when applicable

The AirBorn Advantage

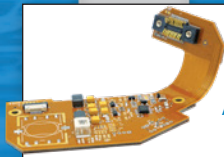
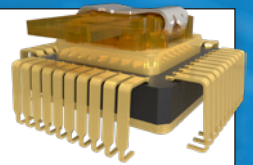
Model-To-Market Solutions



Rugged Power Systems



Photonics/Optoelectronics



Flexible Circuit Assemblies



Cable Assemblies



FUZE Assemblies



Active Optical Assemblies



Rectangular W Series



Rectangular R Series



Micro D M Series



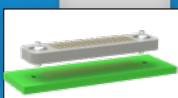
Nano D N Series



Rectangular 25Gbps verSI



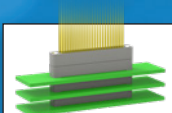
Modular Hybrid SInergy



Z Axis Interposer Z Series



High-Speed Micro D microSI



Stackable RC & RCII Series



Circular Series 360



Strip Connector AirStrip



PowerAmp 13A or 23A Power



Macro D Rocket

RSC-4.23

AirBorn

p. 512.863.5585
www.airborn.com

