

N Series

Nanominatures — 0.025" (0.64mm)

AirBorn

High-Reliability Interconnect Solutions





OCTOBER 2021

AirBorn has been manufacturing high reliability interconnect systems for more than 60 years with leading edge, innovative technology that is more reliable and better performing than practically all other alternatives.

Our advanced technologies, experienced design support and personalized service and support provide customers with complete solutions to a vast array of highly specialized design requirements in diverse markets and applications.

This catalog contains technical drawings and specification information that will help you solve your interconnection needs from the design stage through production specification

The products in this catalog are organized by the AirBorn part number assigned to them.

Each connector part number identifies five elements:

- AirBorn Series
- Body
- Size (number of contacts)
- Contact Type
- Hardware Type

Each catalog page shows the choices available for each of these elements. By selecting one option from any category on the page, you can build a set of connectors to meet your requirements. You may also build a part number, download 3D models and request pricing via our website, AirBorn.com.

Bringing your innovations To Life.

www.AirBorn.com

AirBorn

3500 Airborn Cir
Georgetown, TX 78626
United States

Phone: (512) 863-5585

Fax: (512) 863-8259

E-mail: technicalservice@airborn.com

AirBorn International LTD

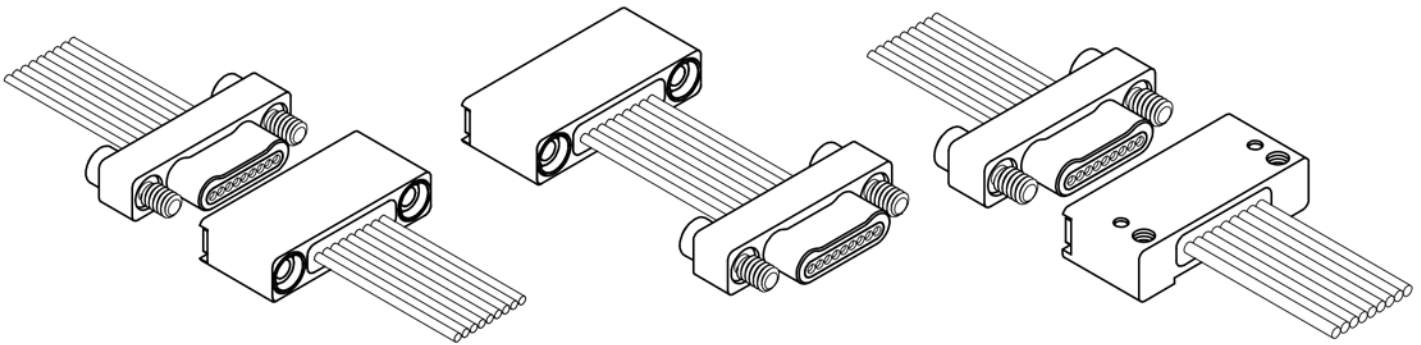
Mercury House, Staton Road
Edenbridge, Kent, TN8 6HL
United Kingdom

Phone: +44-1732-865555

Fax: +44-1732-865666

E-mail: technicalservice@airborn.com

Nano Connectors Cable to Cable One Row

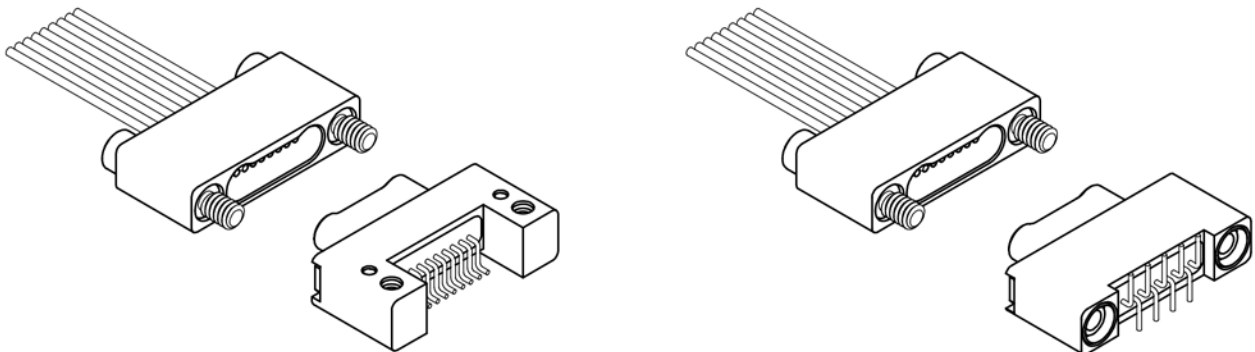


Cable to Cable
Sizes: 9 thru 51
Page: N-9

Cable to Cable, Jumpers
Sizes: 9 thru 51
Page: N-11

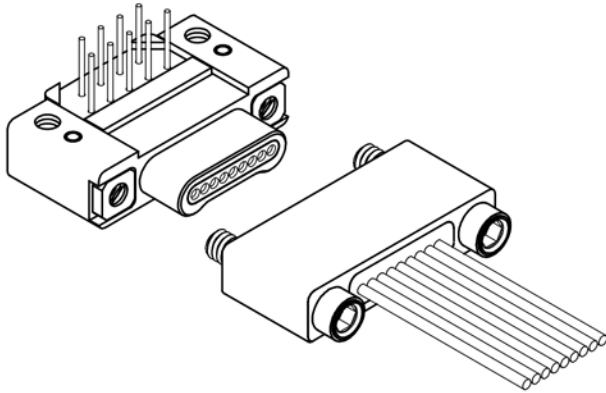
Cable to Cable, with Mounting Holes
Sizes: 9 thru 51
Page: N-13 & N-15

Nano Connectors Board to Cable One Row

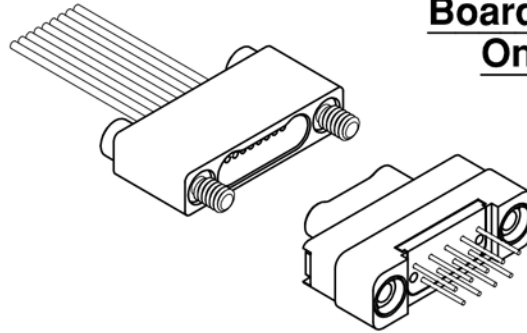


Cable to Horizontal SMT
Sizes: 9 thru 51
Page: N-17 & N-19

Cable to Vertical SMT
Sizes: 9 thru 51
Page: N-23 & N-25

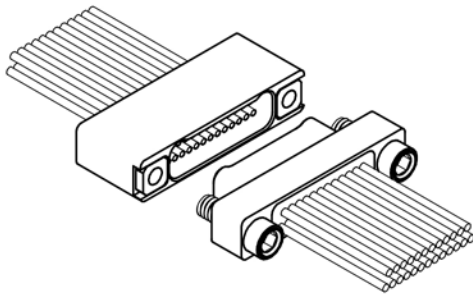


Cable to Right Angle PTH
 Sizes: 9 thru 51
 Page: N-29 & N-31

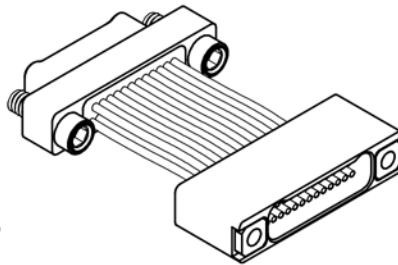


Cable to Vertical PTH
 Sizes: 9 thru 51
 Page: N-35 & N-37

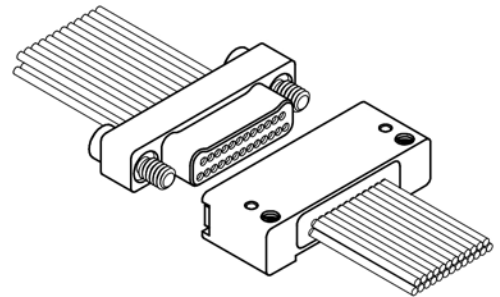
Nano Connectors
Board to Cable
One Row



Cable to Cable
 Sizes: 9 thru 91
 Page: N-41

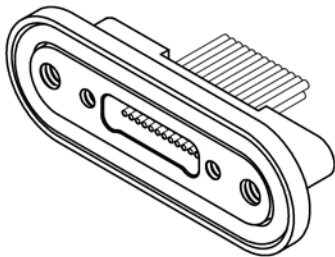


Cable to Cable, Jumpers
 Sizes: 9 thru 91
 Page: N-43

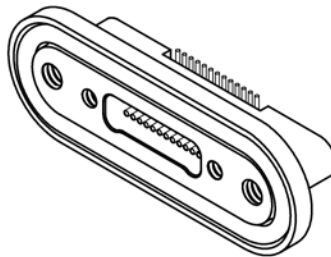


Cable to Cable, with Mounting Holes
 Sizes: 9 thru 91
 Page: N-45 & N-47

Nano Connectors
Cable to Cable
Two Row

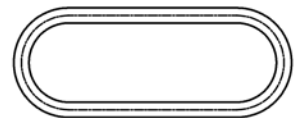


I/O
 Sizes: 9 thru 85
 Page: N-98.3



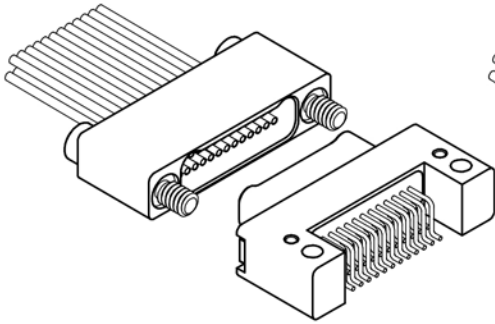
Vertical SMT
 Sizes: 9 thru 85
 Page: N-98.4

Nano Connectors
Rear Panel Mount
Two Row

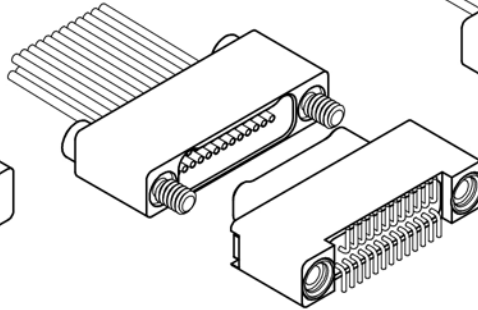


Replacement O-Rings
 Page: N-98.65

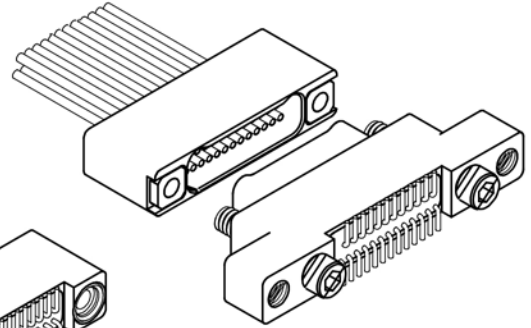
Nano Connectors
Board to Cable
Two Row



Cable to Horizontal SMT
 Sizes: 9 thru 91
 Page: N-49 & N-51

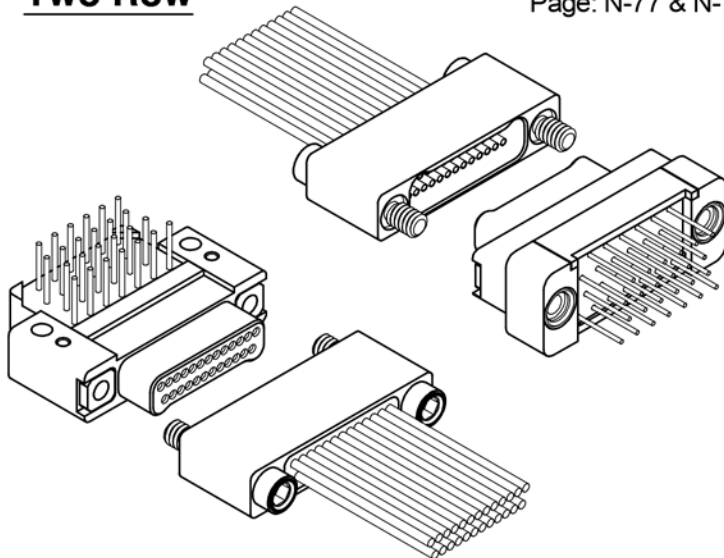


Cable to Vertical SMT
 Sizes: 9 thru 91
 Page: N-55 & N-57



Cable to Vertical SMT with Mounting Holes
 Sizes: 9 thru 91
 Page: N-61 & N-63

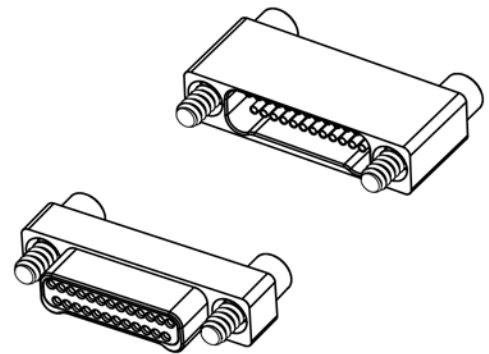
Nano Connectors
Board to Cable
Two Row



Cable to Right Angle PTH
 Sizes: 9 thru 91
 Page: N-69 & N-71

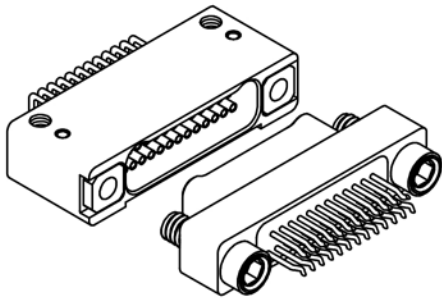
Cable to Vertical PTH
 Sizes: 9 thru 91
 Page: N-77 & N-79

Nano Connectors
Shorting Connectors

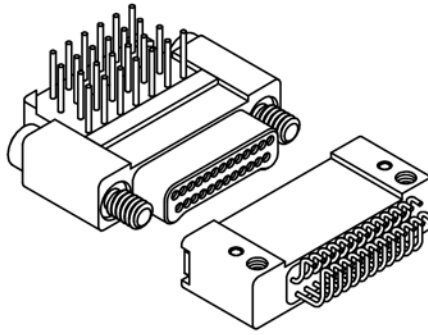


Shorting Connectors
 Sizes: 9 thru 91
 Page: NA-8.1

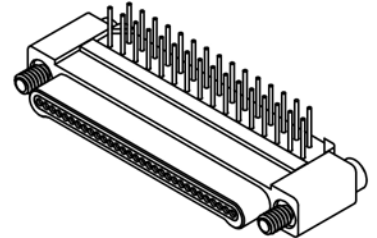
Nano Connectors Flex to Board One & Two Row



Straddle Mount Flex
 Sizes: 9 thru 91
 Page: N-85 & N-87

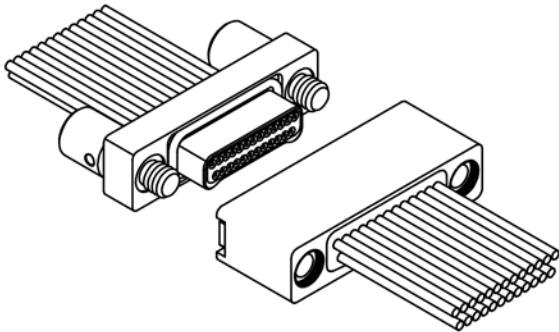


Right Angle Flex Mount
 Sizes: 9 thru 91
 Page: N-93



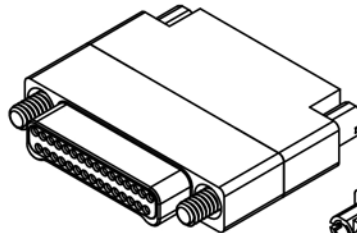
Right Angle Flex Mount
 Sizes: 9 thru 51
 Page: N-40.1

Nano Connectors Splashproof Two Row

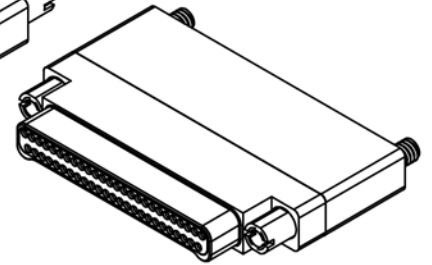


Cable to Cable, Splashproof
 Sizes: 9 thru 91
 Page: N-97

Nano 2 Row Connector Savers

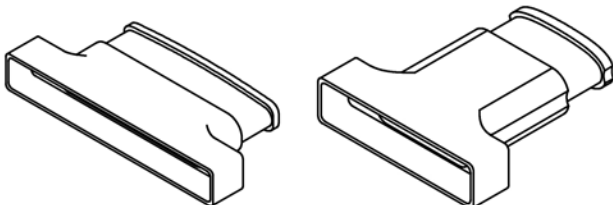


Plug w/Threaded Hdw
 Sizes: 9 to 91
 Page: NA-8.3



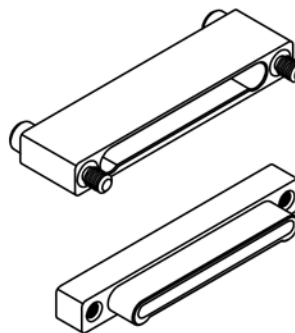
Plug w/Fixed Hdw
 Sizes: 9 to 91
 Page: NA-8.4

Nano Backshells One & Two Row

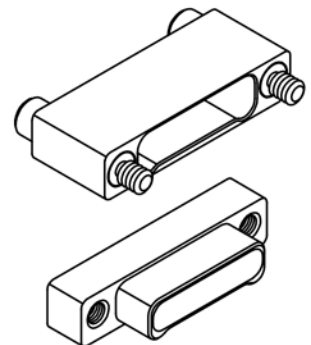


One & Two Row Backshells
 Sizes: 9 thru 51 (one row)
 9 thru 91 (two row)
 Pages: NA-3 & NA-4

Nano Dust Covers



One Row Dust Covers
 Sizes: 9 thru 51
 Page: NA-5



Two Row Dust Covers
 Sizes: 9 thru 91
 Page: NA-7

Contents

"N" Series

.025" Nanominiature PCB and I/O Connectors

N-1	Index	N-96.1	Two Row - Horizontal SMT Plug w/Jackscrews
N-5	Contents	N-96.2	NK Horizontal SMT Plug w/Jackscrews
N-6	Specifications		NM Board layouts
N-7	Performance		Two Row - Splashproof Connectors
N-8	Part number description	N-97	NMSP Splashproof Cable to Cable
	One Row - Cable to Cable Connectors		Two Row - Rear Panel Mount Connectors
N-9	NM, NM Cable to Cable	N-98.1	Specifications
N-11	NM, NM Cable to Cable, Jumper Assembly	N-98.2	Performance
N-13, 15	NM, NM Cable to Cable, Mounting Holes	N-98.3	NMRP I/O Connector
	One Row - Cable to Board Connectors	N-98.4	NKRP Vertical Surface Mount
N-17, 19	NM, NK Cable to Horizontal SMT	N-98.5	NMRP Horizontal Surface Mount
N-21	NK Board layouts - Horizontal SMT	N-98.6	NKRP Straddle Mount
N-23, 25	NM, NK Cable to Vertical SMT	N-98.64	NKRP Panel cutouts
N-27	NK Board layouts - Vertical SMT	N-98.65	O-Rings/Gaskets NMRP-NKRP
N-29, 31	NM, NK Cable to Right Angle PTH		Accessories
N-33	NK Board layouts - Right Angle PTH	NA-2	Wire codes (30 awg, 32 awg)
N-35, 37	NM, NK Cable to Vertical PTH	NA-3	2 Row Backshells
N-39	NK Board layouts - Vertical PTH	NA-4	1 Row Backshells
N-40.1	NK Right Angle Flex Mount	NA-5	1 Row Dust Covers
	Two Row - Cable to Cable Connectors	NA-7	2 Row Dust Covers
N-41	NM, NM Cable to Cable	NA-8.1	Shorting Connectors
N-43	NM, NM Cable to Cable, Jumper Assembly	NA-8.3	2 Row Connector Saver PJRT
N-45, 47	NM, NM Cable to Cable, Mounting Holes	NA-8.4	2 Row Connector Saver PTRJ
	Two Row - Cable to Board Connectors		Military Cross Reference
N-49, 51	NM, NK Cable to Horizontal SMT	NA-9	thru Military Cross Reference
N-53	NK Board layouts - Horizontal SMT	NA-36	
N-55, 57	NM, NK Cable to Vertical SMT		
N-59	NK Board layouts - Vertical SMT		
N-61, 63	NM, NK Cable to Vertical SMT with Mounting Holes		
N-65	NK Board layouts - Vertical SMT with Mounting Holes		
N-69, 71	NM, NK Cable to Right Angle PTH		
N-73	NK Board layouts - Right Angle PTH		
N-77	NK Vertical PTH Plug with Fixed Hardware		
N-79	NK Board layouts - Vertical PTH Plug with Fixed Hardware		
N-81	NK Vertical PTH Receptacle with Fixed Hardware		
N-83	NK Board layouts - Vertical PTH Receptacle with Fixed Hardware		
N-84.1	NK Vertical PTH Plug with Turning Hardware		
N-84.3	NK Board Layouts - Vertical PTH Plug with Turning Hardware		
N-84.5	NK Vertical PTH Receptacle with Turning Hardware		
N-84.7	NK Board Layouts - Vertical PTH Plug with Receptacle Hardware		
N-84.9	NK Vertical PTH Plug with Turning Hardware and Mounting Ears		
N-84.11	NK Board Layouts - Vertical PTH Plug with Turning Hardware and Mounting Ears		
N-84.13	NK Vertical PTH Receptacle with Turning Hardware and Mounting Ears		
N-84.15	NK Board Layouts - Vertical PTH Receptacle with Turning Hardware and Mounting Ears		
	Two Row - Flex to Board Connectors		
N-85, 87	NM, NK Straddle Mount Flex		
N-89	NM Board layouts - Straddle Mount		
N-93	NK, NK Right Angle Flex Mount		
N-95	NK Board layouts - Right Angle		



Performance

Reference M32139

AirBorn "N" Series meets or exceeds M32139 Performance Specifications

Contact Rating:	1-ampere maximum
Solderability:	Terminals (except crimp) tested in accordance with MIL-STD-202, Method 208
Wire Size:	Stranded #30 & #32 AWG or solid #30 AWG standard (consult factory for other sizes and types)
Test Voltage:	250 V, RMS, 60 Hz
Operating Temperature:	-55° C to +125° C
Insulation Resistance:	5,000 megohms minimum @ 100 VDC
Durability:	200 connector mating cycles tested in accordance with EIA-364-09
Vibration:	Tested in accordance with EIA-364-28, Condition IV
Shock:	Tested in accordance with EIA-364-27, Condition G
Salt Spray:	Mated connectors tested in accordance with EIA-364-26, Condition B
Humidity:	Mated connectors tested in accordance with EIA-364-31, Condition A (except steps 7a and 7b)
Thermal Shock:	Tested to the temperature extremes of EIA-364-32, Condition I
Contact Resistance:	0.021 volt maximum drop @ 1.0 amps (.021 ohms)
Contact Engaging Force:	5.0 ounce maximum, with minimum diameter test sleeve
Contact Separating Force:	0.4 ounce minimum, with maximum diameter test sleeve

Part Number Description

Each connector part number consists of at least five elements: series, body description, size (number of contacts), type of contacts, and type of hardware. A sixth element is added whenever special modifications or options are available.

Each catalog page shows the choices available for each of these elements. By selecting one option from each category on the page, you can build a set of connectors to meet your requirements.

Each element is identified by a combination of letters and/or numbers in fixed field lengths, and separated by a hyphen (-). Each space must be filled in to complete the number. When the size, for example, is less than 100, indicate as 009, 051, etc.

Series:

This will always be a two letter designator, and will identify the connector series. All .025" connectors begin with the letter "N". The second letter designates the various styles of .025" connectors.

Body:

Each digit of the Body Designator will normally identify (1) the number of rows, (2) the style of body, and (3) the body materials. The three digit number to identify the body consists of one digit from each group.

Size:

The size is determined by the number of contacts in the connector, and is an integral part of the part number. Order only sizes shown on the catalog page unless otherwise noted.

Contacts:

Each page also identifies all contact options for a given connector. Mating contacts are shown on the page opposite from the description. The first two digits designate the type of contacts and terminations; the third digit designates the plating option.

Hardware:

The hardware designator is four digits; two for style of hardware and two for polarization or wiring instruction. Follow the choices for each connector.

Special Instructions (Options):

Special instructions are referenced by a three digit number added to the end of the part number. The last three digits are included only when applicable. AirBorn, Inc. will provide individual code numbers as needed.

Note:

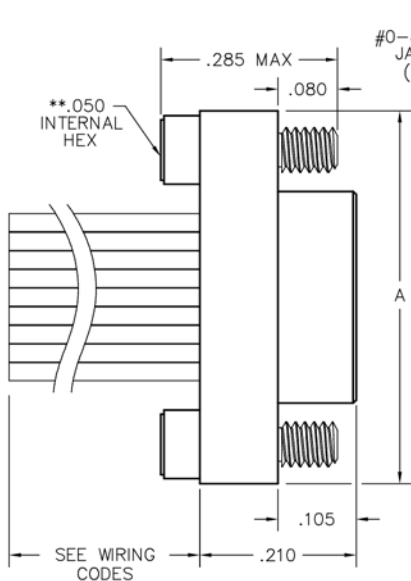
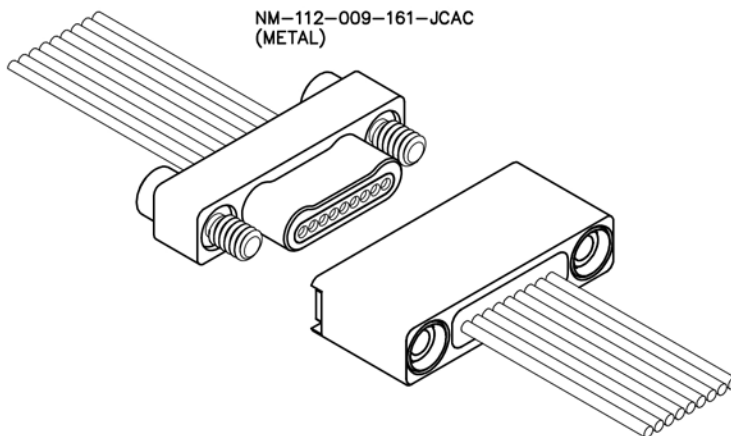
Each page is as comprehensive as possible. However, if you do not find a particular connector size or option, please contact the factory for further assistance.

☒ Symbolizes options that are not ROHS compliant.

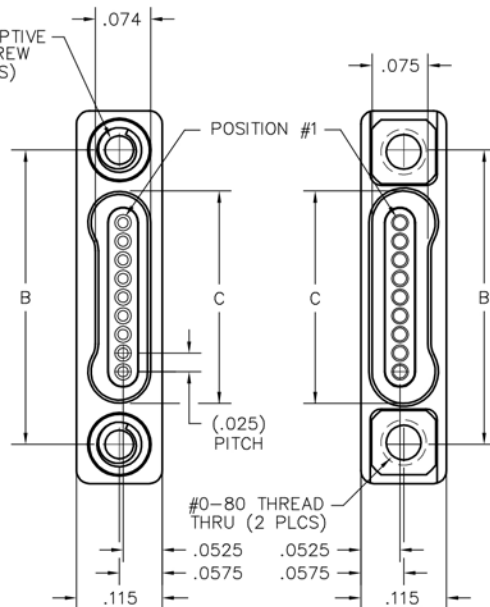
1 . ROW Cable to Cable .025"

NM, NM

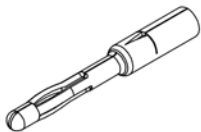
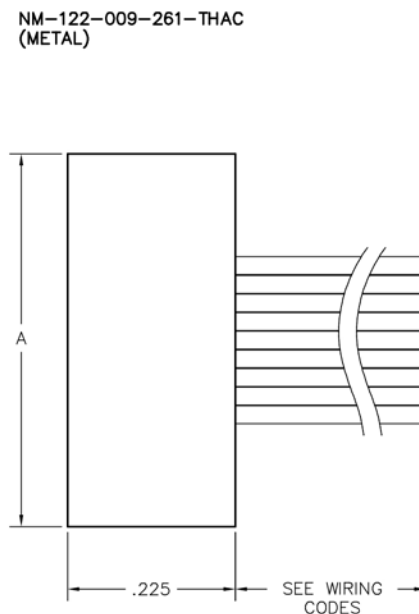
9 thru 51 Contacts



PLUG

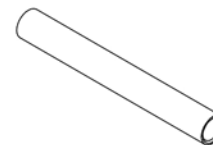


RECEPTACLE



PIN CONTACT
3 TINE SPRING MEMBER, CRIMP

SIZE	DIMENSIONS		C	
	A	B	PLUG	RCPT
9	.500	.395	.284	.285
15	.650	.545	.434	.435
21	.800	.695	.584	.585
25	.900	.795	.684	.685
31	1.050	.945	.834	.835
37	1.200	1.095	.984	.985
51	1.550	1.445	1.334	1.335



SOCKET CONTACT
DRAWN TUBE, CRIMP

** = HEX MEASUREMENT TAKEN ACROSS THE FLATS.



PLUG: NM-112-009-161-JCAC
 RECEPTACLE: NM-122-009-261-THAC
 XX-XXX-XXX-XXX-XXXX

PLUG

RECEPTACLE

SERIES

NM .025" Metal I/O Connector | NM .025" Metal I/O Connector

BODY

1	1-Row	1	1-Row
BODY STYLE:		BODY STYLE:	
1	Plug, straight	2	Receptacle, straight
5	Plug, straight with factory installed backshell (See page NA-4)	6	Receptacle, straight with factory installed backshell (See page NA-4)
BODY MATERIAL:		BODY MATERIAL:	
2	Liquid Crystal Polymer w/ electroless nickel shell	2	Liquid Crystal Polymer w/ electroless nickel shell
3	Liquid Crystal Polymer w/ electrodeposited cadmium shell <input checked="" type="checkbox"/>	3	Liquid Crystal Polymer w/ electrodeposited cadmium shell <input checked="" type="checkbox"/>
4	Liquid Crystal Polymer w/ stainless steel shell ***	4	Liquid Crystal Polymer w/ stainless steel shell ***
5	Liquid Crystal Polymer w/ titanium shell ***	5	Liquid Crystal Polymer w/ titanium shell ***

SIZE

XXX Number of contacts (009, 015, 021, 025, 031, 037 or 051) | XXX Number of contacts (009, 015, 021, 025, 031, 037 or 051)

CONTACTS

TYPE CONTACTS/TERMINATIONS:		TYPE CONTACTS/TERMINATIONS:	
16	Pin, straight, crimped wire	26	Socket, straight, crimped wire
PLATING OPTIONS:		PLATING OPTIONS:	
1	50 u" Au contacts	1	50 u" Au contacts

HARDWARE

STYLE OF HARDWARE:		STYLE OF HARDWARE:	
00	None ***	00	None ***
JC	Turning jackscrews, captivated #0-80 UNF*	JC	Turning jackscrews, captivated #0-80 UNF*
TH	Threaded hole**, #0-80 UNF	TH	Threaded hole**, #0-80 UNF

WIRING OPTIONS:		WIRING OPTIONS:	
XX	See wiring codes, Page NA-2	XX	See wiring codes, Page NA-2

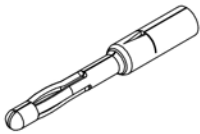
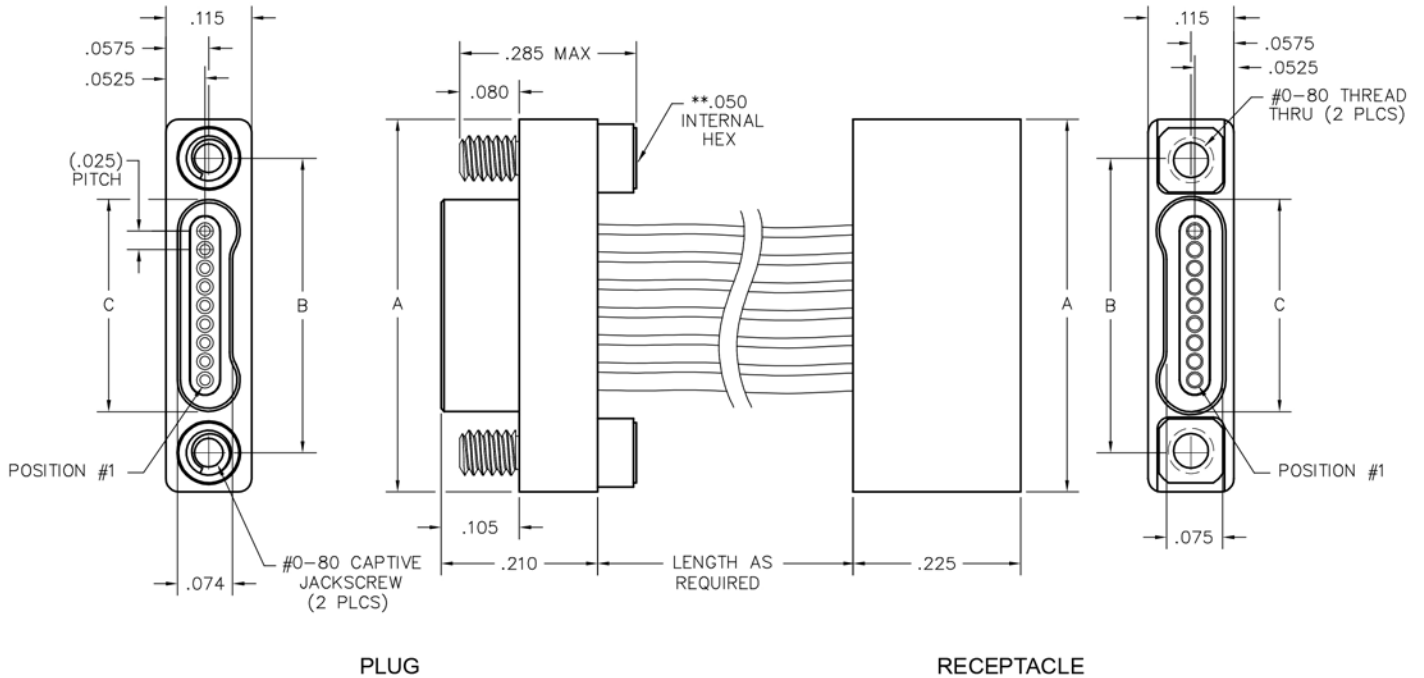
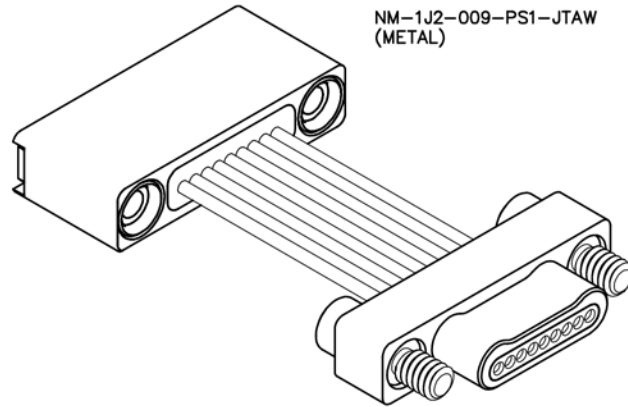
* = Recommended torque value 1.0 inch-lbs. max.
 Ball end hex wrench not recommended
 Hex wrench key/bit conforming to the requirements of ASME / ANSI-B-18.3 is recommended.
 .050" hex L-key long arm wrench - order AirBorn p/n CDG14148.

** = Threaded hole tapped directly into stainless steel and titanium shells, aluminum shells have stainless steel inserts (as shown on previous page).

*** = Not available option if specifying factory installed backshell.

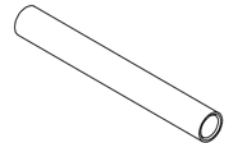
= Option not RoHS compliant

1 · ROW
Cable to Cable
(Jumper Assembly)
.025"
NM, NM
9 thru 51 Contacts



PIN CONTACT
 3 TINE SPRING MEMBER, CRIMP

SIZE	A	B	C	
			PLUG	RCPT
9	.500	.395	.284	.285
15	.650	.545	.434	.435
21	.800	.695	.584	.585
25	.900	.795	.684	.685
31	1.050	.945	.834	.835
37	1.200	1.095	.984	.985
51	1.550	1.445	1.334	1.335



SOCKET CONTACT
 DRAWN TUBE, CRIMP

** = HEX MEASUREMENT TAKEN ACROSS THE FLATS.

NM-1J2-009-PS1-JTAW
 XX-XXX-XXX-XXX-XXXX

SERIES	
NM .025" Metal I/O Connector	
BODY	
1	1-Row
BODY STYLE:	
J	Jumper assembly
BODY MATERIAL:	
2	Liquid Crystal Polymer with electroless nickel shell
3	Liquid Crystal Polymer with electrodeposited cadmium shell <input checked="" type="checkbox"/>
4	Liquid Crystal Polymer with stainless steel shell
5	Liquid Crystal Polymer with titanium shell
SIZE	
XXX Number of contacts (009, 015, 021, 025, 031, 037 or 051)	
CONTACTS	
TYPE CONTACTS/TERMINATIONS:	
PP	Plug to plug
PS	Plug to receptacle
SS	Receptacle to receptacle
PLATING OPTIONS:	
1	50 μ" Au contacts
HARDWARE	
STYLE OF HARDWARE:	
00	None
JJ	Four #0-80 UNF* turning jackscrews, captivated, two on each connector
JT	Two #0-80 UNF* turning jackscrews, captivated, on plug & two #0-80 UNF threaded holes** on receptacle
JP	Two #0-80 UNF* turning jackscrews, captivated, on plug & two #0-80 UNF threaded holes** on plug
TJ	Two #0-80 UNF threaded holes** on plug & two #0-80 UNF* turning jackscrews, captivated, on receptacle
JR	Two #0-80 UNF* turning jackscrews, captivated, on receptacle & two #0-80 UNF threaded holes** on receptacle
TT	Four #0-80 UNF threaded holes**, two on each connector
POLARIZATION / WIRING:	
XX	For wiring codes, see page NA-2

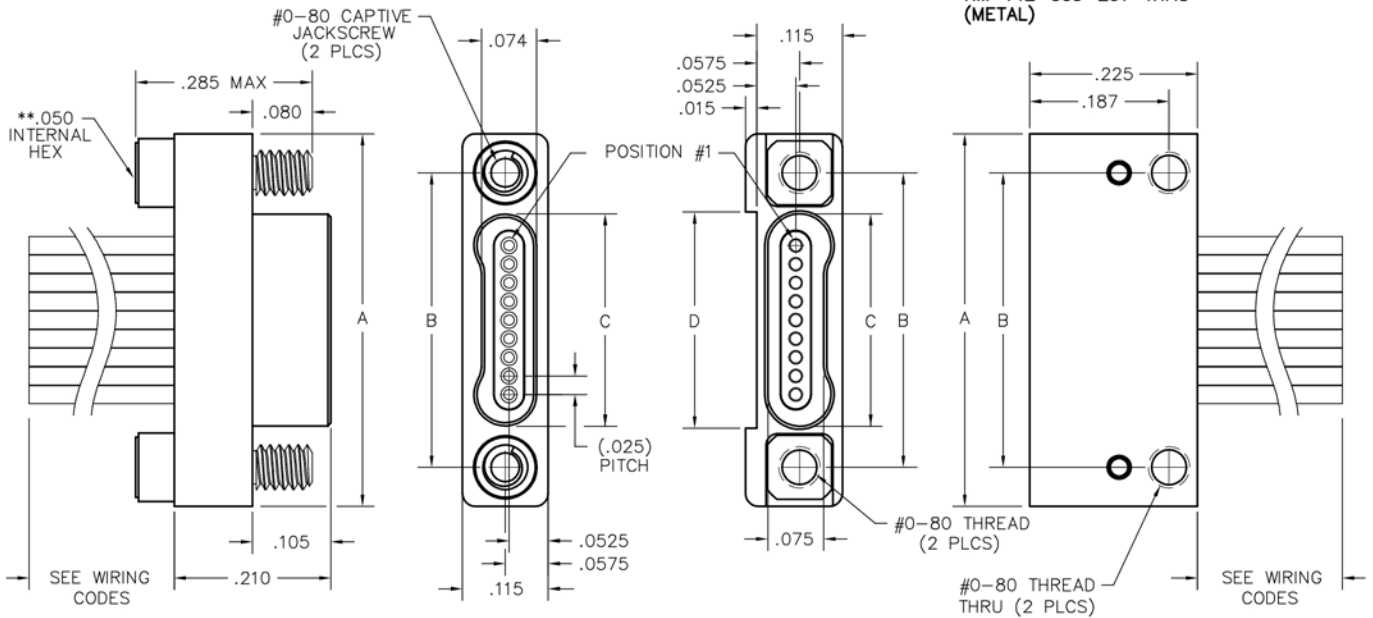
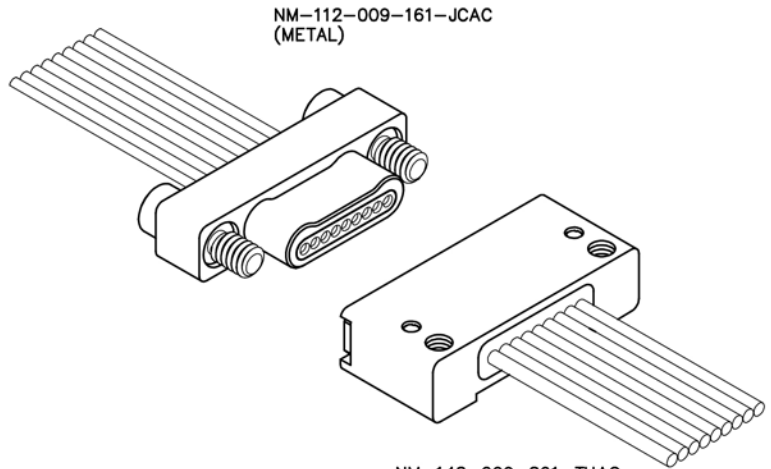
* = Recommended torque value 1.0 inch-lbs. max.
 Ball end hex wrench not recommended
 Hex wrench key/bit conforming to the requirements of ASME / ANSI-B-18.3 is recommended.
 .050" hex L-key long arm wrench - order AirBorn p/n CDG14148.

** = Threaded hole tapped directly into stainless steel and titanium shells, aluminum shells have stainless steel inserts (as shown on previous page).

● Consult factory if jumpers require other than direct one to one connections.

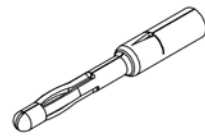
= Option not RoHS compliant

1 ROW
Cable to Cable
.025"
NM, NM
9 thru 51 Contacts



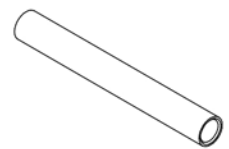
PLUG

RECEPTACLE



PIN CONTACT
 3 TINE SPRING MEMBER, CRIMP

SIZE	DIMENSIONS		C		D
	A	B	PLUG	RCPT	
9	.500	.395	.284	.285	.290
15	.650	.545	.434	.435	.440
21	.800	.695	.584	.585	.590
25	.900	.795	.684	.685	.690
31	1.050	.945	.834	.835	.840
37	1.200	1.095	.984	.985	.990
51	1.550	1.445	1.334	1.335	1.340



SOCKET CONTACT
 DRAWN TUBE, CRIMP

** = HEX MEASUREMENT TAKEN ACROSS THE FLATS.



PLUG: NM-112-009-161-JCAC
RECEPTACLE: NM-142-009-261-THAC
 XX-XXX-XXX-XXX-XXXX

PLUG		RECEPTACLE	
SERIES			
NM .025" Metal I/O Connector		NM .025" Metal I/O Connector	

BODY			
1	1-Row	1	1-Row
BODY STYLE: 1 Plug, straight 5 Plug, straight with factory installed backshell (See page NA-4)		BODY STYLE: 4 Receptacle, straight with mounting holes	
BODY MATERIAL: 2 Liquid Crystal Polymer w/ electroless nickel shell 3 Liquid Crystal Polymer w/ electrodeposited cadmium shell <input checked="" type="checkbox"/> 4 Liquid Crystal Polymer w/ stainless steel shell *** 5 Liquid Crystal Polymer w/ titanium shell ***		BODY MATERIAL: 2 Liquid Crystal Polymer w/ electroless nickel shell 3 Liquid Crystal Polymer w/ electrodeposited cadmium shell <input checked="" type="checkbox"/> 4 Liquid Crystal Polymer w/ stainless steel shell 5 Liquid Crystal Polymer w/ titanium shell	

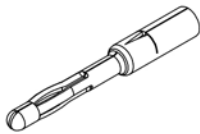
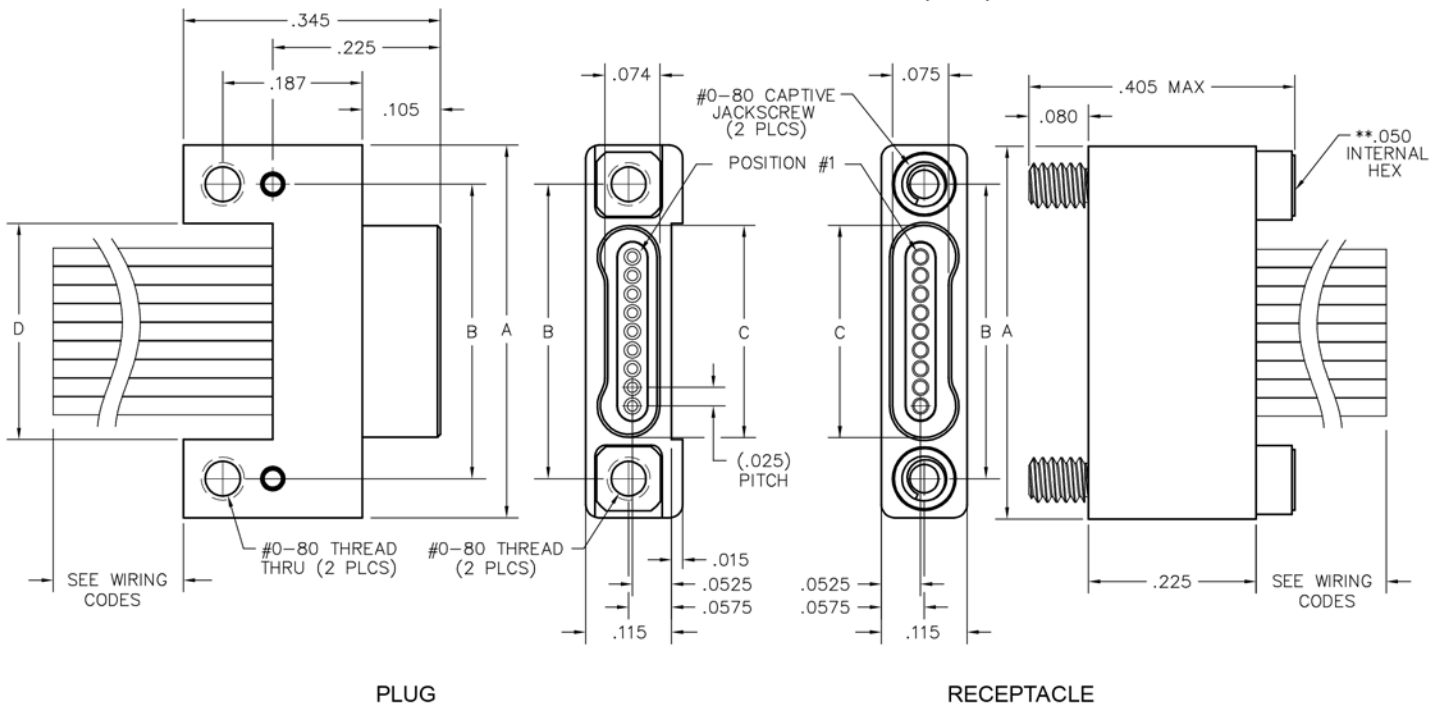
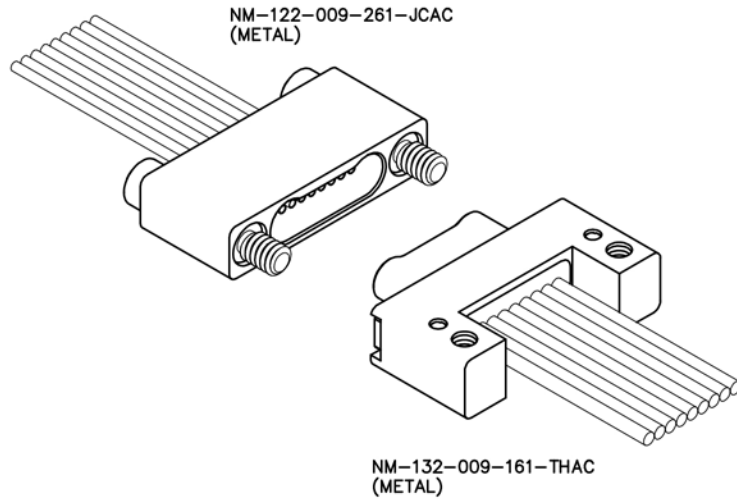
SIZE		SIZE	
XXX	Number of contacts (009, 015, 021, 025, 031, 037 or 051)	XXX	Number of contacts (009, 015, 021, 025, 031, 037 or 051)

CONTACTS			
TYPE CONTACTS/TERMINATIONS: 16 Pin, straight, crimped wire		TYPE CONTACTS/TERMINATIONS: 26 Socket, straight, crimped wire	
PLATING OPTIONS: 1 50 u" Au contacts		PLATING OPTIONS: 1 50 u" Au contacts	

HARDWARE			
STYLE OF HARDWARE: 00 None *** JC Turning jackscrews, captivated #0-80 UNF*		STYLE OF HARDWARE: 00 None TH Threaded hole, #0-80 UNF **	
WIRING OPTIONS: XX See wiring codes, Page NA-2		WIRING OPTIONS: XX See wiring codes, Page NA-2	

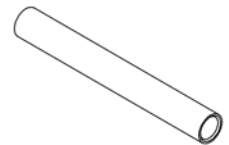
* = Recommended torque value 1.0 inch-lbs. max.
 Ball end hex wrench not recommended
 Hex wrench key/bit conforming to the requirements of ASME / ANSI-B-18.3 is recommended.
 .050" hex L-key long arm wrench - order AirBorn p/n CDG14148.
 ** = Threaded hole tapped directly into stainless steel and titanium shells, aluminum shells have stainless steel inserts (as shown on previous page).
 *** = Not available option if specifying factory installed backshell.
 = Option not RoHS compliant

1 · ROW
Cable to Cable
 .025"
NM, NM
 9 thru 51 Contacts



PIN CONTACT
 3 TINE SPRING MEMBER, CRIMP

SIZE	DIMENSIONS		C		D
	A	B	PLUG	RCPT	
9	.500	.395	.284	.285	.290
15	.650	.545	.434	.435	.440
21	.800	.695	.584	.585	.590
25	.900	.795	.684	.685	.690
31	1.050	.945	.834	.835	.840
37	1.200	1.095	.984	.985	.990
51	1.550	1.445	1.334	1.335	1.340



SOCKET CONTACT
 DRAWN TUBE, CRIMP

** = HEX MEASUREMENT TAKEN ACROSS THE FLATS.



PLUG: NM-132-009-161-THAC
 RECEPTACLE: NM-122-009-261-JCAC
 XX-XXX-XXX-XXX-XXXX

PLUG		RECEPTACLE	
SERIES			
NM	.025" Metal I/O Connector	NM	.025" Metal I/O Connector

BODY			
1	1-Row	1	1-Row
3	BODY STYLE: Plug, straight with mounting holes	2	BODY STYLE: Receptacle, straight
		6	Receptacle, straight with factory installed backshell (See page NA-4)
2	BODY MATERIAL: Liquid Crystal Polymer w/ electroless nickel shell	2	BODY MATERIAL: Liquid Crystal Polymer w/ electroless nickel shell
3	Liquid Crystal Polymer w/ electrodeposited cadmium shell <input checked="" type="checkbox"/>	3	Liquid Crystal Polymer w/ electrodeposited cadmium shell <input checked="" type="checkbox"/>
4	Liquid Crystal Polymer w/ stainless steel shell	4	Liquid Crystal Polymer w/ stainless steel shell ***
5	Liquid Crystal Polymer w/ titanium shell	5	Liquid Crystal Polymer w/ titanium shell ***

SIZE			
XXX	Number of contacts (009, 015, 021, 025, 031, 037 or 051)	XXX	Number of contacts (009, 015, 021, 025, 031, 037 or 051)

CONTACTS			
16	TYPE CONTACTS/TERMINATIONS: Pin, straight, crimped wire	26	TYPE CONTACTS/TERMINATIONS: Socket, straight, crimped wire
1	PLATING OPTIONS: 50 u" Au contacts	1	PLATING OPTIONS: 50 u" Au contacts

HARDWARE			
00	STYLE OF HARDWARE: None	00	STYLE OF HARDWARE: None ***
TH	Threaded hole, #0-80 UNF **	JC	Turning jackscrews, captivated #0-80 UNF*
XX	WIRING OPTIONS: See wiring codes, Page NA-2	XX	WIRING OPTIONS: See wiring codes, Page NA-2

* = Recommended torque value 1.0 inch-lbs. max.
 Ball end hex wrench not recommended
 Hex wrench key/bit conforming to the requirements of ASME / ANSI-B-18.3 is recommended.
 .050" hex L-key long arm wrench - order AirBorn p/n CDG14148.
 ** = Threaded hole tapped directly into stainless steel and titanium shells, aluminum shells have stainless steel inserts (as shown on previous page).
 *** = Not available option if specifying factory installed backshell.

= Option not ROHS compliant

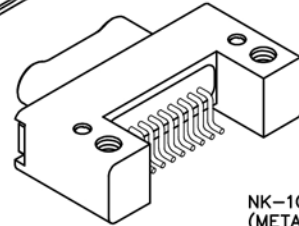
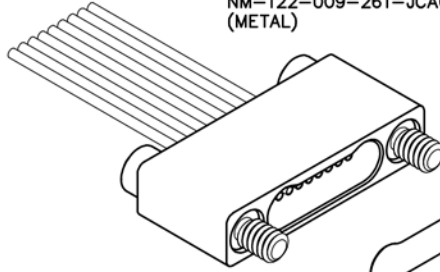
1 ROW Cable to Board Horizontal SMT

.025"

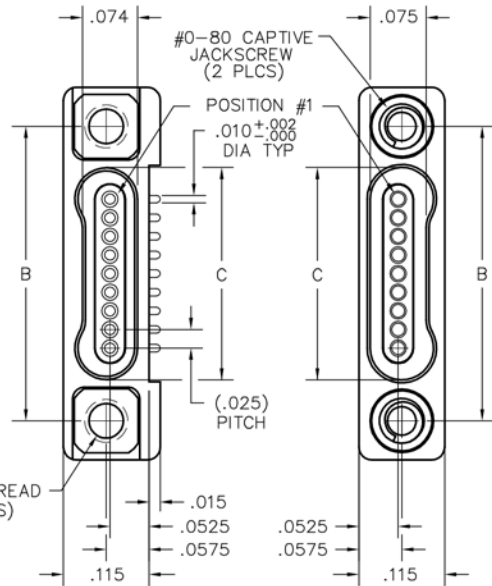
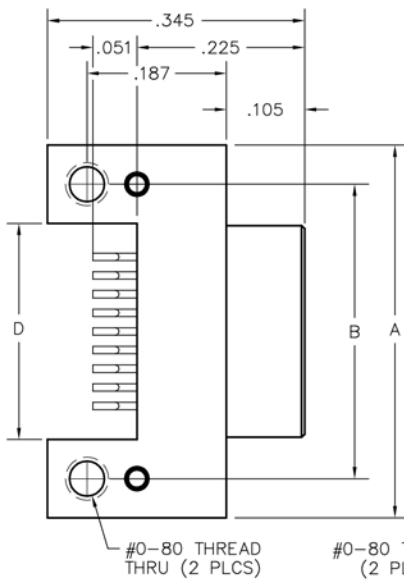
NM, NK

9 thru 51 Contacts

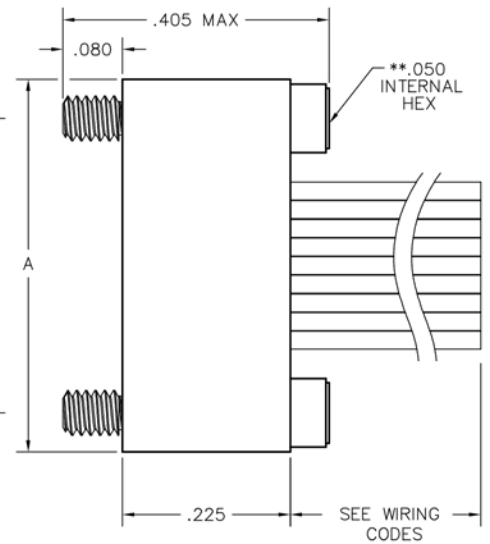
NM-122-009-261-JCAC
(METAL)



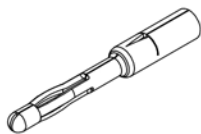
NK-1C2-009-125-TH00
(METAL)



PLUG

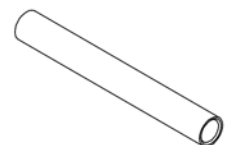


RECEPTACLE



PIN CONTACT
3 TINE SPRING MEMBER, CRIMP

SIZE	A	B	DIMENSIONS		D
			PLUG	RCPT	
9	.500	.395	.284	.285	.290
15	.650	.545	.434	.435	.440
21	.800	.695	.584	.585	.590
25	.900	.795	.684	.685	.690
31	1.050	.945	.834	.835	.840
37	1.200	1.095	.984	.985	.990
51	1.550	1.445	1.334	1.335	1.340



SOCKET CONTACT
DRAWN TUBE, CRIMP

** = HEX MEASUREMENT TAKEN ACROSS THE FLATS.



PLUG: NK-1C2-009-125-TH00
RECEPTACLE: NM-122-009-261-JCAC
 XX-XXX-XXX-XXX-XXXX

PLUG		RECEPTACLE	
SERIES			
NK .025" Metal PC Board Mounted Connector		NM .025" Metal I/O Connector	
BODY			
1 1-Row		1 1-Row	
BODY STYLE:		BODY STYLE:	
C Plug, horizontal mount SMT		2 Receptacle, straight	
		6 Receptacle, straight with factory installed backshell (See page NA-4)	
BODY MATERIAL:		BODY MATERIAL:	
2 Liquid Crystal Polymer w/ electroless nickel shell		2 Liquid Crystal Polymer w/ electroless nickel shell	
3 Liquid Crystal Polymer w/ electrodeposited cadmium shell <input checked="" type="checkbox"/>		3 Liquid Crystal Polymer w/ electrodeposited cadmium shell <input checked="" type="checkbox"/>	
4 Liquid Crystal Polymer w/ stainless steel shell		4 Liquid Crystal Polymer w/ stainless steel shell ***	
5 Liquid Crystal Polymer w/ titanium shell		5 Liquid Crystal Polymer w/ titanium shell ***	
SIZE			
XXX Number of contacts (009, 015, 021, 025, 031, 037 or 051)		XXX Number of contacts (009, 015, 021, 025, 031, 037 or 051)	
CONTACTS			
TYPE CONTACTS/TERMINATIONS:		TYPE CONTACTS/TERMINATIONS:	
12 Pin, SMT		26 Socket, straight, crimped wire	
PLATING OPTIONS:		PLATING OPTIONS:	
5 50 u" Au contacts; Sn/Pb alloy terminations <input checked="" type="checkbox"/>		1 50 u" Au contacts	
8 50 u" Au contacts; Tin plated terminations			
HARDWARE			
STYLE OF HARDWARE:		STYLE OF HARDWARE:	
00 None		00 None ***	
TH Threaded hole, #0-80 UNF **		JC Turning jackscrews, captivated #0-80 UNF*	
WIRING OPTIONS:		WIRING OPTIONS:	
00 None		XX See wiring codes, Page NA-2	

* = Recommended torque value 1.0 inch-lbs. max.
 Ball end hex wrench not recommended
 Hex wrench key/bit conforming to the requirements of ASME / ANSI-B-18.3 is recommended.
 .050" hex L-key long arm wrench - order AirBorn p/n CDG14148.
 ** = Threaded hole tapped directly into stainless steel and titanium shells, aluminum shells have stainless steel inserts (as shown on previous page).
 *** = Not available option if specifying factory installed backshell.

= Option not RoHS compliant

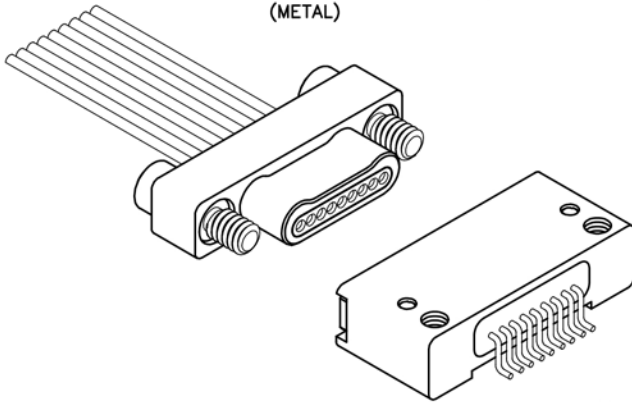
1 • ROW Cable to Board Horizontal SMT

.025"

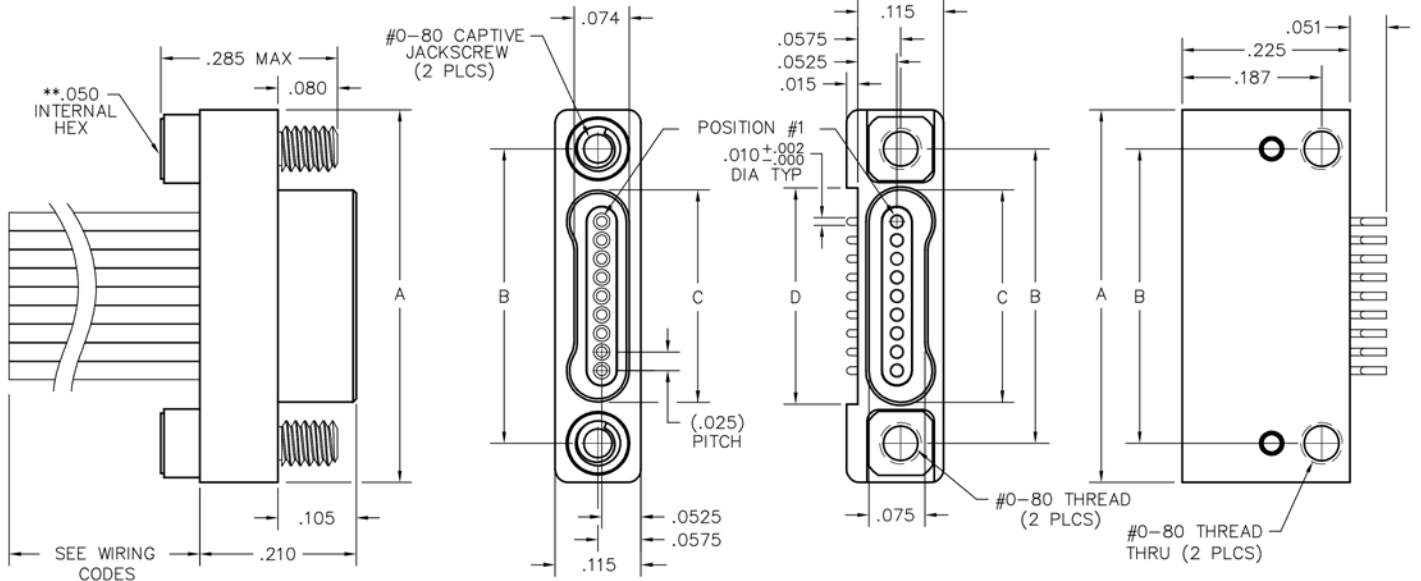
NM, NK

9 thru 51 Contacts

NM-112-009-161-JCAC
(METAL)



NK-1D2-009-225-TH00
(METAL)

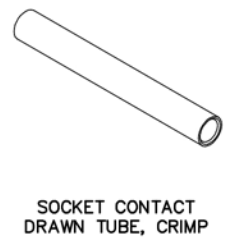


PLUG

RECEPTACLE



SIZE	DIMENSIONS				
	A	B	C		D
			PLUG	RCPT	
9	.500	.395	.284	.285	.290
15	.650	.545	.434	.435	.440
21	.800	.695	.584	.585	.590
25	.900	.795	.684	.685	.690
31	1.050	.945	.834	.835	.840
37	1.200	1.095	.984	.985	.990
51	1.550	1.445	1.334	1.335	1.340



** = HEX MEASUREMENT TAKEN ACROSS THE FLATS.

PLUG: NM-112-009-161-JCAC
RECEPTACLE: NK-1D2-009-225-TH00
 XX-XXX-XXX-XXX-XXXX

PLUG		RECEPTACLE	
SERIES			
NM .025" Metal I/O Connector		NK .025" Metal PC Board Mounted Connector	

BODY			
1	1-Row	1	1-Row
BODY STYLE: 1 Plug, straight 5 Plug, straight with factory installed backshell (See page NA-4)		BODY STYLE: D Receptacle, horizontal mount SMT	
BODY MATERIAL: 2 Liquid Crystal Polymer w/ electroless nickel shell 3 Liquid Crystal Polymer w/ electrodeposited cadmium shell <input checked="" type="checkbox"/> 4 Liquid Crystal Polymer w/ stainless steel shell *** 5 Liquid Crystal Polymer w/ titanium shell ***		BODY MATERIAL: 2 Liquid Crystal Polymer w/ electroless nickel shell 3 Liquid Crystal Polymer w/ electrodeposited cadmium shell <input checked="" type="checkbox"/> 4 Liquid Crystal Polymer w/ stainless steel shell 5 Liquid Crystal Polymer w/ titanium shell	

SIZE	
XXX Number of contacts (009, 015, 021, 025, 031, 037 or 051)	XXX Number of contacts (009, 015, 021, 025, 031, 037 or 051)

CONTACTS	
TYPE CONTACTS/TERMINATIONS: 16 Pin, straight, crimped wire	TYPE CONTACTS/TERMINATIONS: 22 Socket, SMT
PLATING OPTIONS: 1 50 u" Au contacts	PLATING OPTIONS: 5 50 u" Au contacts; Sn/Pb alloy terminations <input checked="" type="checkbox"/> 8 50 u" Au contacts; Tin plated terminations

HARDWARE	
STYLE OF HARDWARE: 00 None *** JC Turning jackscrews, captivated #0-80 UNF*	STYLE OF HARDWARE: 00 None TH Threaded hole, #0-80 UNF **
WIRING OPTIONS: XX See wiring codes, Page NA-2	WIRING OPTIONS: 00 None

* = Recommended torque value 1.0 inch-lbs. max.
 Ball end hex wrench not recommended
 Hex wrench key/bit conforming to the requirements of ASME / ANSI-B-18.3 is recommended.
 .050" hex L-key long arm wrench - order AirBorn p/n CDG14148.

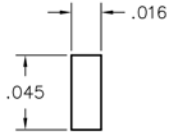
** = Threaded hole tapped directly into stainless steel and titanium shells, aluminum shells have stainless steel inserts (as shown on previous page)

*** = Not available option if specifying factory installed backshell.

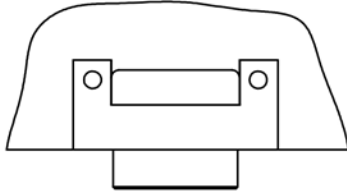
= Option not RoHS compliant

Recommended PC Board Layout

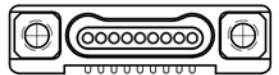
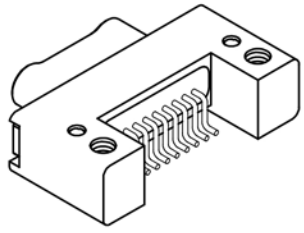
Horizontal SMT Plug
FOR REFERENCE ONLY



FOOTPRINT / PAD CONFIGURATION

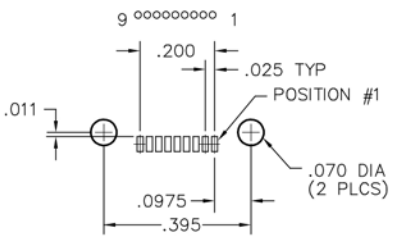


PC BOARD LAYOUT COMPONENT SIDE

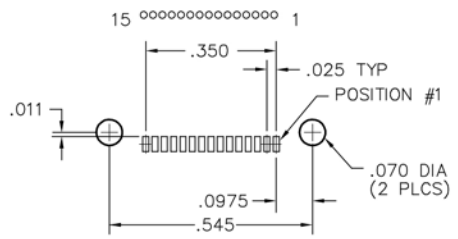


CONNECTOR MATING FACE

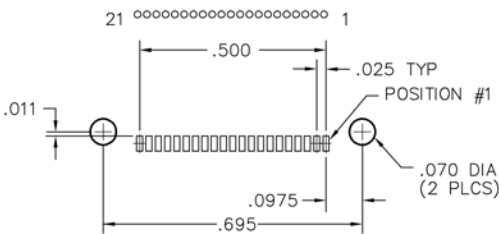
9 POSITION



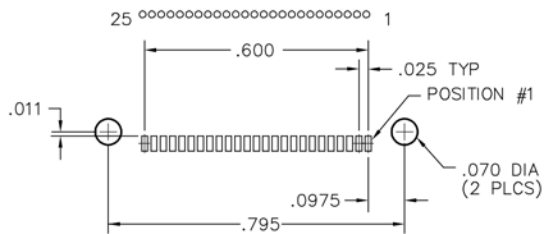
15 POSITION



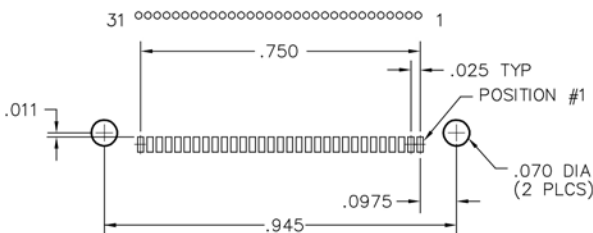
21 POSITION



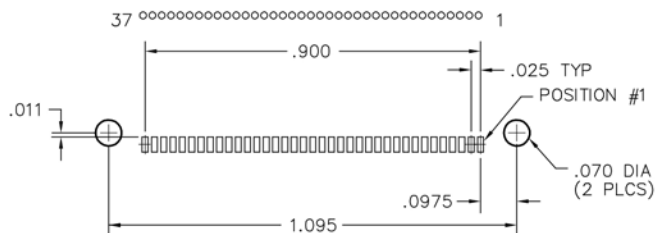
25 POSITION



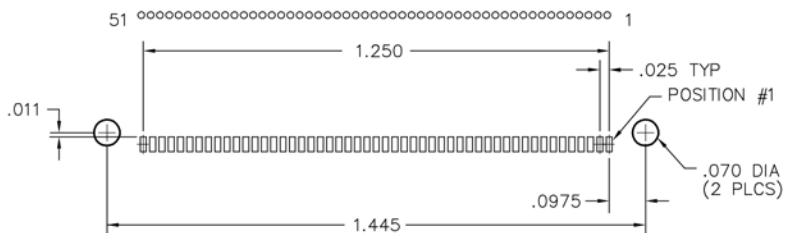
31 POSITION



37 POSITION

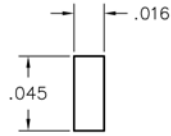


51 POSITION

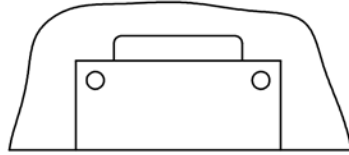


Recommended PC Board Layout

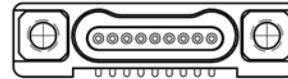
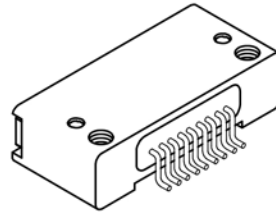
Horizontal SMT Receptacle
FOR REFERENCE ONLY



FOOTPRINT / PAD CONFIGURATION

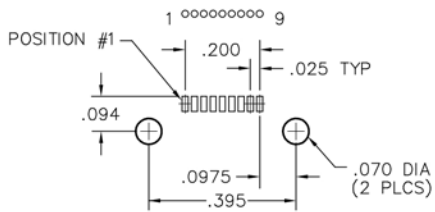


PC BOARD LAYOUT COMPONENT SIDE

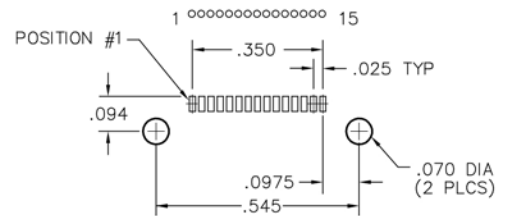


CONNECTOR MATING FACE

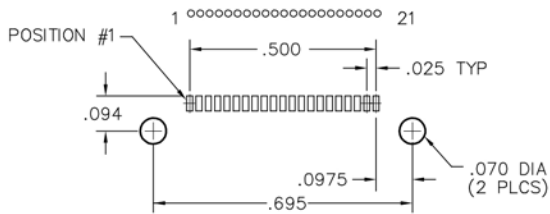
9 POSITION



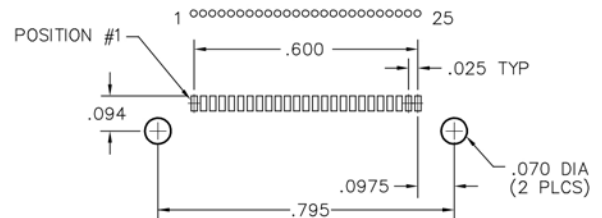
15 POSITION



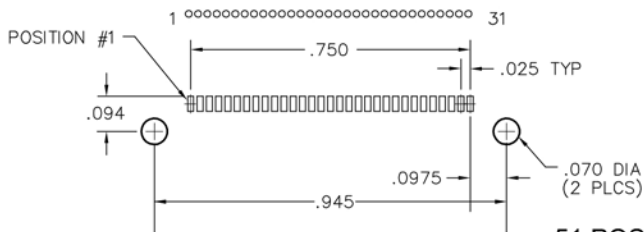
21 POSITION



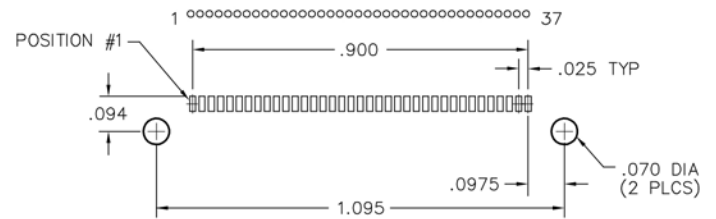
25 POSITION



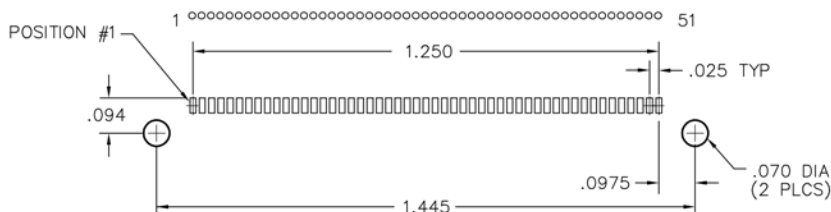
31 POSITION



37 POSITION



51 POSITION



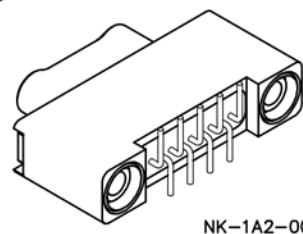
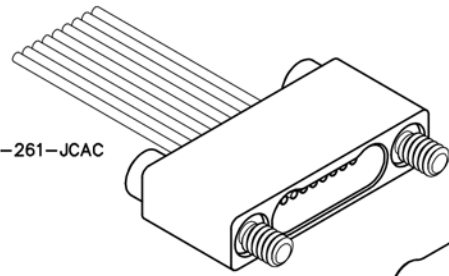
1 ROW Cable to Board Vertical SMT

.025"

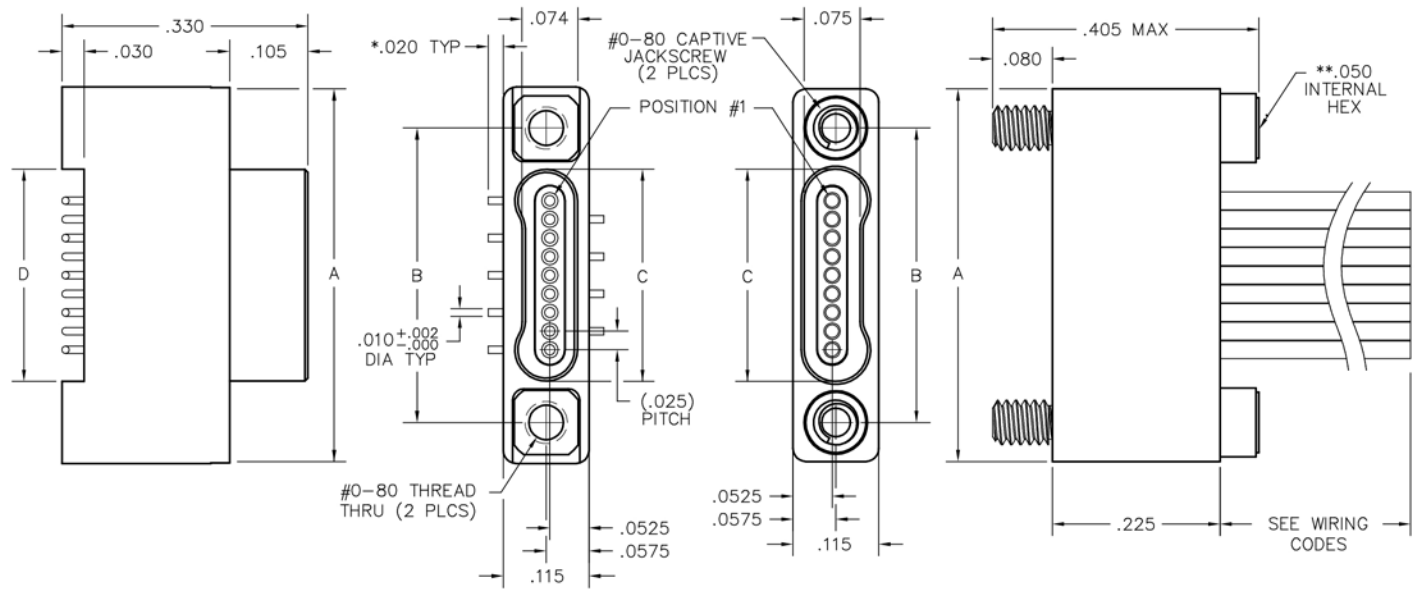
NM, NK

9 thru 51 Contacts

NM-122-009-261-JCAC
(METAL)

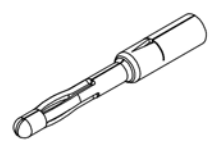


NK-1A2-009-125-TH00
(METAL)



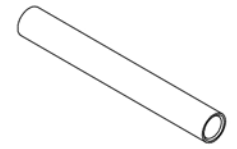
PLUG

RECEPTACLE



PIN CONTACT
3 TINE SPRING MEMBER, CRIMP

SIZE	A	B	C		D
			PLUG	RCPT	
9	.500	.395	.284	.285	.287
15	.650	.545	.434	.435	.437
21	.800	.695	.584	.585	.587
25	.900	.795	.684	.685	.687
31	1.050	.945	.834	.835	.837
37	1.200	1.095	.984	.985	.987
51	1.550	1.445	1.334	1.335	1.337



SOCKET CONTACT
DRAWN TUBE, CRIMP

* = DIMENSION CHANGES TO .040" FOR
".010" OPTION. SEE PAGE N-20.
** = HEX MEASUREMENT TAKEN ACROSS FLATS.



PLUG: NK-1A2-009-125-TH00
 RECEPTACLE: NM-122-009-261-JCAC
 XX-XXX-XXX-XXX-XXXX-XXX

PLUG	RECEPTACLE
SERIES	
NK .025" Metal PC Board Mounted Connector	NM .025" Metal I/O Connector
BODY	
1 1-Row	1 1-Row
BODY STYLE: A Plug, vertical mount SMT	BODY STYLE: 2 Receptacle, straight 6 Receptacle, straight with factory installed backshell (See page NA-4)
BODY MATERIAL: 2 Liquid Crystal Polymer w/ electroless nickel shell 3 Liquid Crystal Polymer w/ electrodeposited cadmium shell <input checked="" type="checkbox"/> 4 Liquid Crystal Polymer w/ stainless steel shell 5 Liquid Crystal Polymer w/ titanium shell	BODY MATERIAL: 2 Liquid Crystal Polymer w/ electroless nickel shell 3 Liquid Crystal Polymer w/ electrodeposited cadmium shell <input checked="" type="checkbox"/> 4 Liquid Crystal Polymer w/ stainless steel shell *** 5 Liquid Crystal Polymer w/ titanium shell ***
SIZE	
XXX Number of contacts (009, 015, 021, 025, 031, 037 or 051)	XXX Number of contacts (009, 015, 021, 025, 031, 037 or 051)
CONTACTS	
TYPE CONTACTS/TERMINATIONS: 12 Pin, SMT (.020 lead envelope)	TYPE CONTACTS/TERMINATIONS: 26 Socket, straight, crimped wire
PLATING OPTIONS: 5 50 u" Au contacts; Sn/Pb alloy terminations <input checked="" type="checkbox"/> 8 50 u" Au contacts; Tin plated terminations	PLATING OPTIONS: 1 50 u" Au contacts
HARDWARE	
STYLE OF HARDWARE: 00 None TH Threaded hole, #0-80 UNF **	STYLE OF HARDWARE: 00 None *** JC Turning jackscrews, captivated #0-80 UNF*
WIRING OPTIONS: 00 None	WIRING OPTIONS: XX See wiring codes, Page NA-2
OPTIONS	
010 .040 lead envelope	

* = Recommended torque value 1.0 inch-lbs. max.
 Ball end hex wrench not recommended
 Hex wrench key/bit conforming to the requirements of ASME / ANSI-B-18.3 is recommended.
 .050" hex L-key long arm wrench - order AirBorn p/n CDG14148.

** = Threaded hole tapped directly into stainless steel and titanium shells, aluminum shells have stainless steel inserts (as shown on previous page).

*** = Not available option if specifying factory installed backshell.

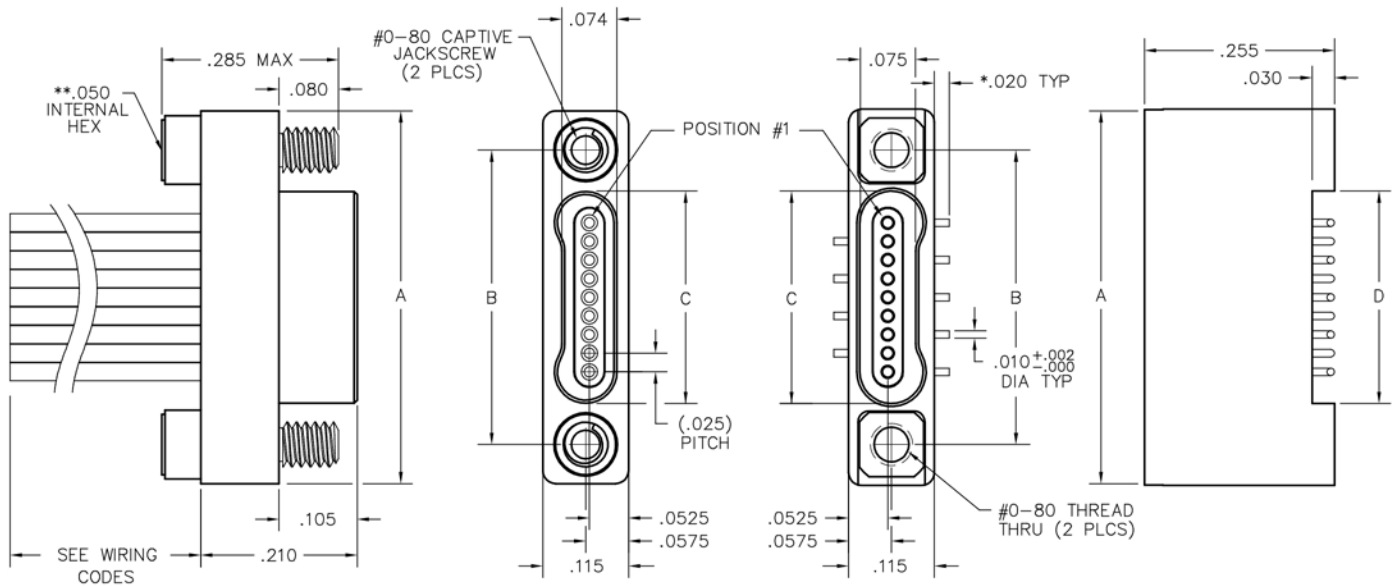
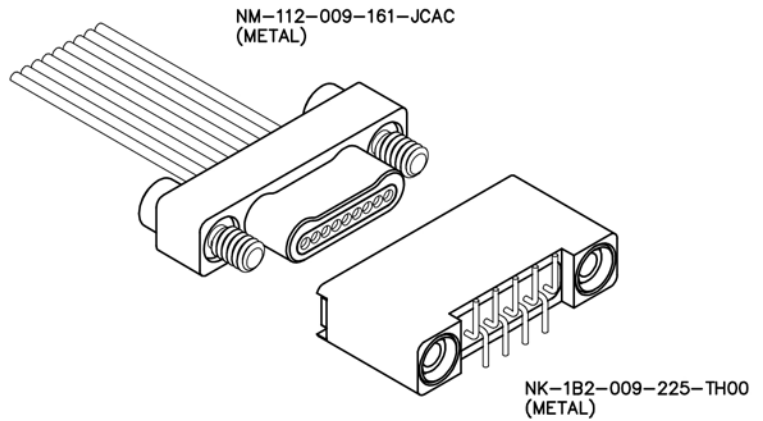
= Option not RoHS compliant

1. ROW Cable to Board Vertical SMT

.025"

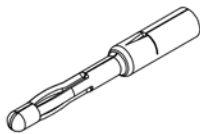
NM, NK

9 thru 51 Contacts



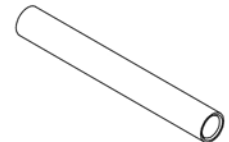
PLUG

RECEPTACLE



PIN CONTACT
3 TINE SPRING MEMBER, CRIMP

SIZE	A	B	C		D
			PLUG	RCPT	
9	.500	.395	.284	.285	.287
15	.650	.545	.434	.435	.437
21	.800	.695	.584	.585	.587
25	.900	.795	.684	.685	.687
31	1.050	.945	.834	.835	.837
37	1.200	1.095	.984	.985	.987
51	1.550	1.445	1.334	1.335	1.337



SOCKET CONTACT
DRAWN TUBE, CRIMP

* = DIMENSION CHANGES TO .040" FOR "010" OPTION. SEE PAGE N-22.
** = HEX MEASUREMENT TAKEN ACROSS THE FLATS.



PLUG: NM-112-009-161-JCAC
 RECEPTACLE: NK-1B2-009-225-TH00
 XX-XXX-XXX-XXX-XXXX-XXX

PLUG | **RECEPTACLE**

SERIES

NM .025" Metal I/O Connector | NK .025" Metal PC Board Mounted Connector

BODY

1	1-Row	1	1-Row
BODY STYLE:		BODY STYLE:	
1	Plug, straight	B	Receptacle, vertical mount SMT
5	Plug, straight with factory installed backshell (See page NA-4)		
BODY MATERIAL:		BODY MATERIAL:	
2	Liquid Crystal Polymer w/ electroless nickel shell	2	Liquid Crystal Polymer w/ electroless nickel shell
3	Liquid Crystal Polymer w/ electrodeposited cadmium shell <input checked="" type="checkbox"/>	3	Liquid Crystal Polymer w/ electrodeposited cadmium shell <input checked="" type="checkbox"/>
4	Liquid Crystal Polymer w/ stainless steel shell ***	4	Liquid Crystal Polymer w/ stainless steel shell
5	Liquid Crystal Polymer w/ titanium shell ***	5	Liquid Crystal Polymer w/ titanium shell

SIZE

XXX Number of contacts (009, 015, 021, 025, 031, 037 or 051) | XXX Number of contacts (009, 015, 021, 025, 031, 037 or 051)

CONTACTS

TYPE CONTACTS/TERMINATIONS:		TYPE CONTACTS/TERMINATIONS:	
16	Pin, straight, crimped wire	22	Socket, SMT (.020 lead envelope)
PLATING OPTIONS:		PLATING OPTIONS:	
1	50 u" Au contacts	5	50 u" Au contacts; Sn/Pb alloy terminations <input checked="" type="checkbox"/>
		8	50 u" Au contacts; Tin plated terminations

HARDWARE

STYLE OF HARDWARE:		STYLE OF HARDWARE:	
00	None ***	00	None
JC	Turning jackscrews, captivated #0-80 UNF*	TH	Threaded hole, #0-80 UNF **
WIRING OPTIONS:		WIRING OPTIONS:	
XX	See wiring codes, Page NA-2	00	None

OPTIONS

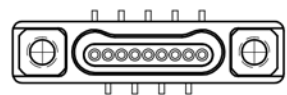
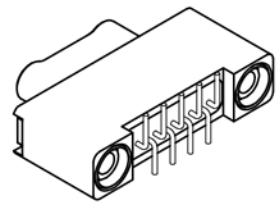
| 010 .040 lead envelope

* = Recommended torque value 1.0 inch-lbs. max.
 Ball end hex wrench not recommended
 Hex wrench key/bit conforming to the requirements of ASME / ANSI-B-18.3 is recommended.
 .050" hex L-key long arm wrench - order AirBorn p/n CDG14148.
 ** = Threaded hole tapped directly into stainless steel and titanium shells, aluminum shells have stainless steel inserts (as shown on previous page).
 *** = Not available option if specifying factory installed backshell.
 = Option not RoHS compliant

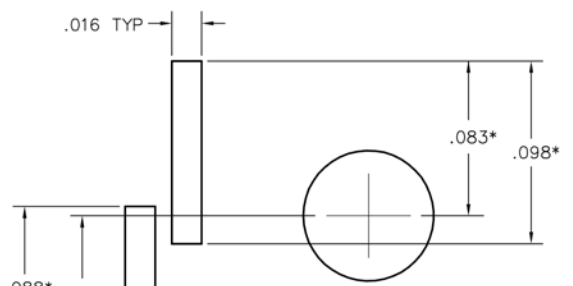


Recommended PC Board Layout

Vertical SMT Plug
 .020 & .040 Lead Envelopes
 FOR REFERENCE ONLY

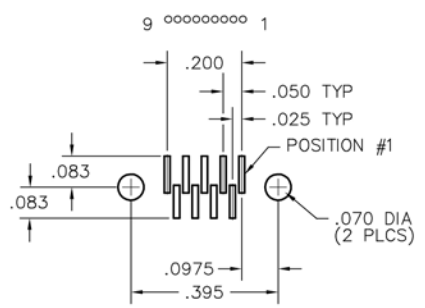


CONNECTOR MATING FACE

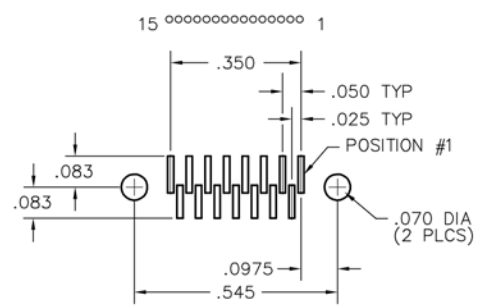


FOOTPRINT / PAD CONFIGURATION
 * = For .040" lead envelope, add .020" to noted dimensions

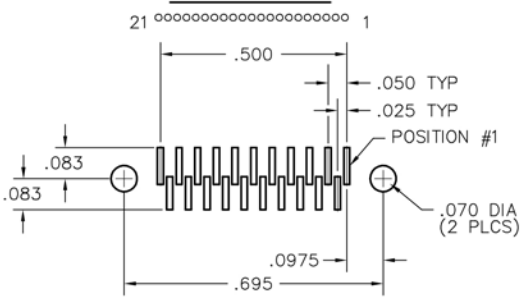
9 POSITION



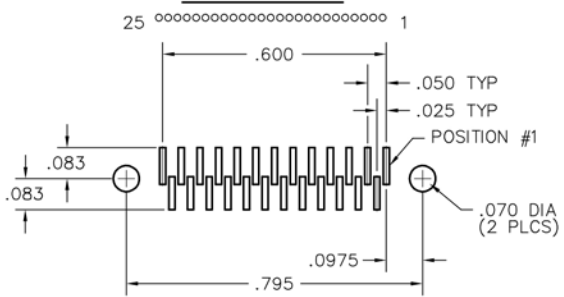
15 POSITION



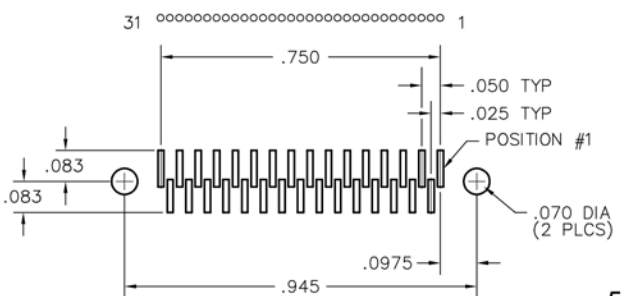
21 POSITION



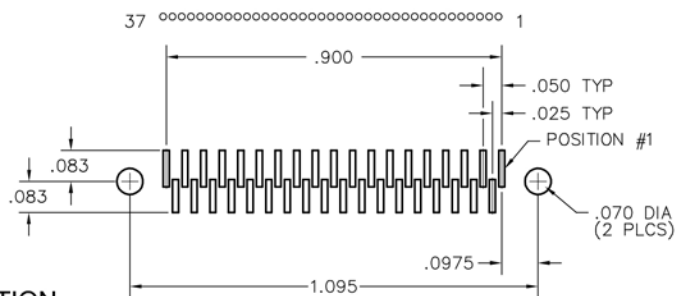
25 POSITION



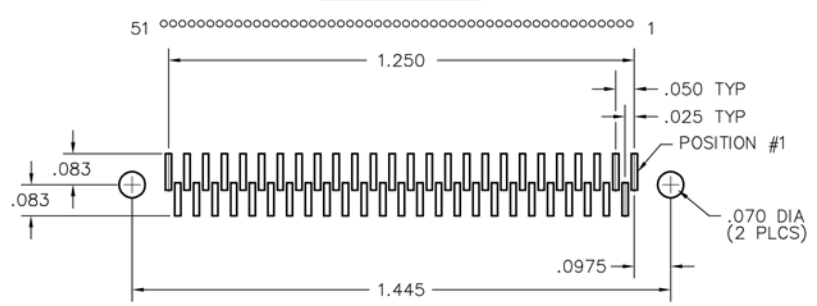
31 POSITION



37 POSITION

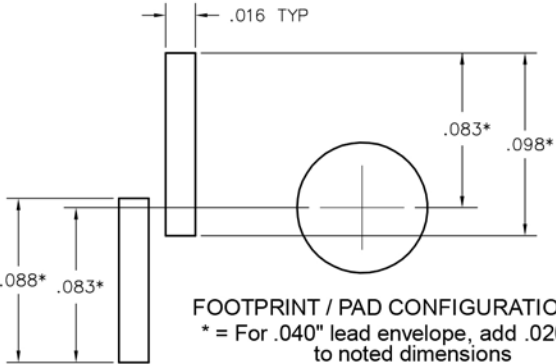


51 POSITION

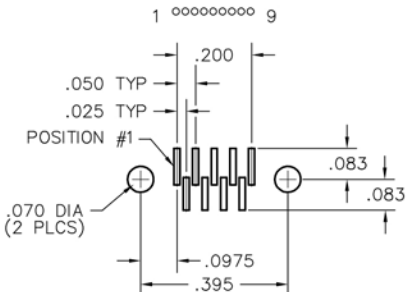


Recommended PC Board Layout

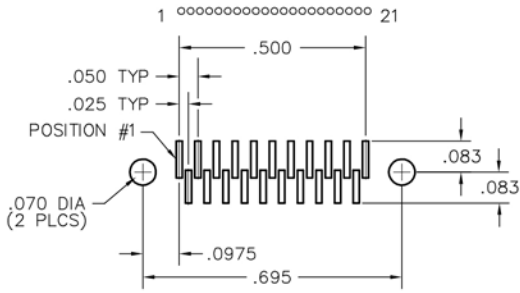
Vertical SMT Receptacle
 .020 & .040 Lead Envelopes
 FOR REFERENCE ONLY



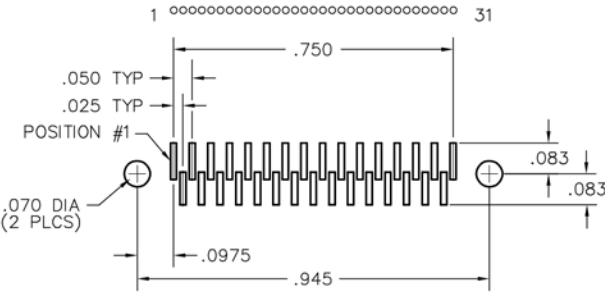
9 POSITION



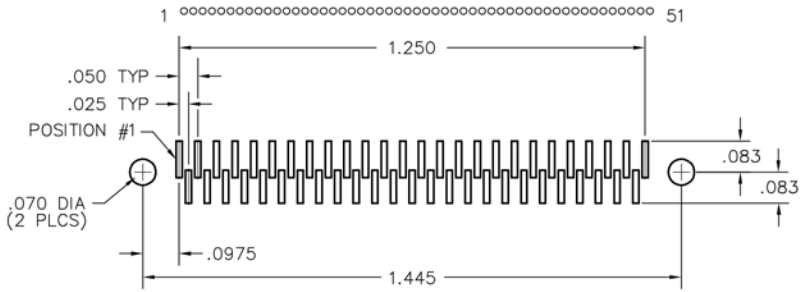
21 POSITION



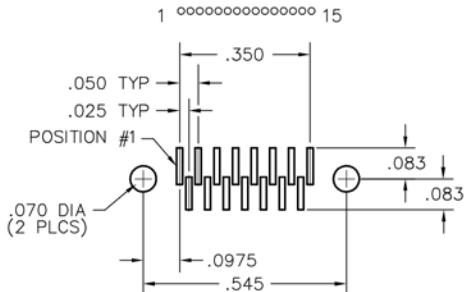
31 POSITION



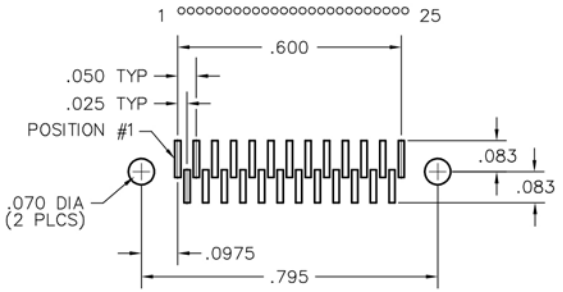
51 POSITION



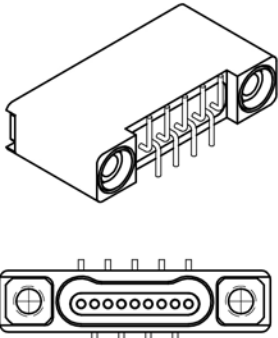
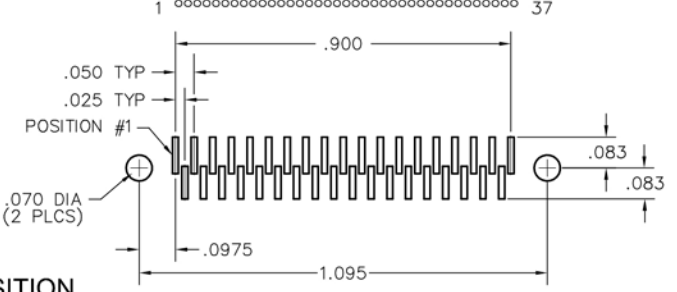
15 POSITION



25 POSITION



37 POSITION

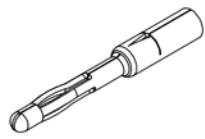
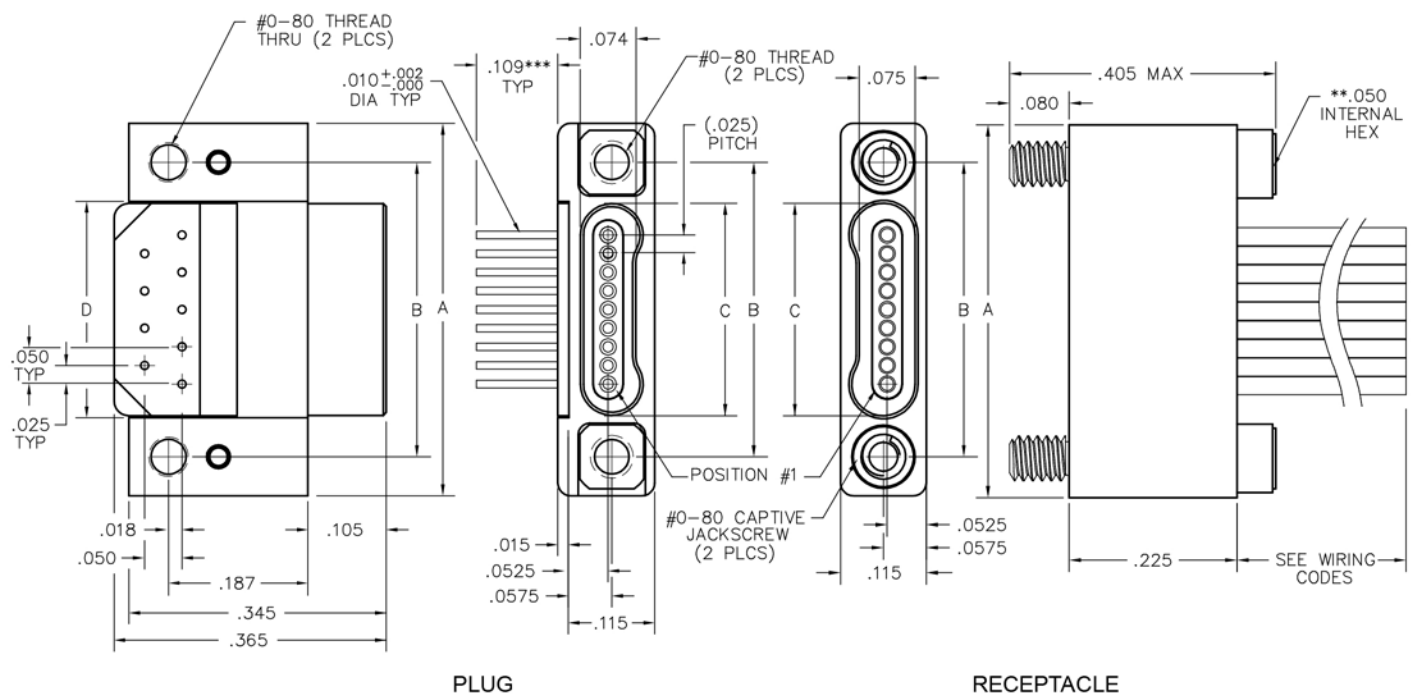
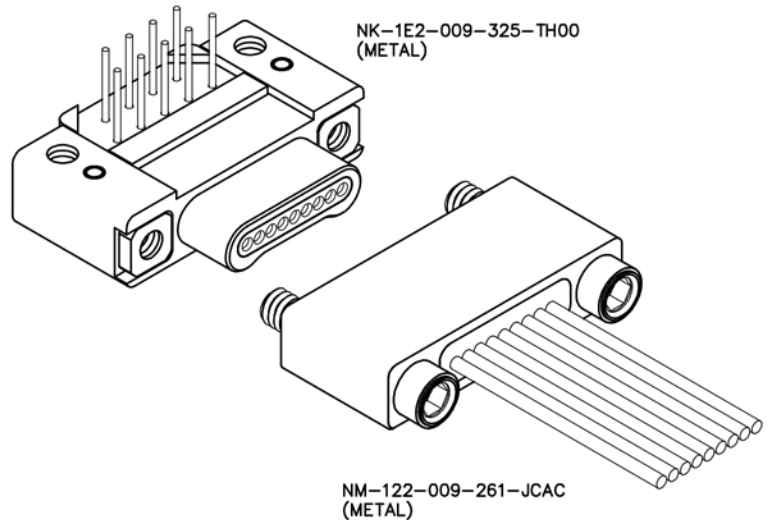


1 ROW Cable to Board Right Angle PTH

.025"

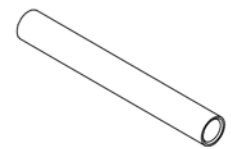
NM, NK

9 thru 51 Contacts



PIN CONTACT
3 TINE SPRING MEMBER, CRIMP

SIZE	A	B	C		D
			PLUG	RCPT	
9	.500	.395	.284	.285	.290
15	.650	.545	.434	.435	.440
21	.800	.695	.584	.585	.590
25	.900	.795	.684	.685	.690
31	1.050	.945	.834	.835	.840
37	1.200	1.095	.984	.985	.990
51	1.550	1.445	1.334	1.335	1.340



SOCKET CONTACT
DRAWN TUBE, CRIMP

** = HEX MEASUREMENT TAKEN ACROSS THE FLATS.
*** = OTHER LENGTHS AS REQUIRED



PLUG: NK-1E2-009-325-TH00
RECEPTACLE: NM-122-009-261-JCAC
 XX-XXX-XXX-XXX-XXXX

PLUG	RECEPTACLE
SERIES	
NK .025" Metal PC Board Mounted Connector	NM .025" Metal I/O Connector

BODY	
1 1-Row	1 1-Row
BODY STYLE: E Plug, right angle, plated thru hole (PTH)	BODY STYLE: 2 Receptacle, straight 6 Receptacle, straight with factory installed backshell (See page NA-4)
BODY MATERIAL: 2 Liquid Crystal Polymer w/ electroless nickel shell 3 Liquid Crystal Polymer w/ electrodeposited cadmium shell <input checked="" type="checkbox"/> 4 Liquid Crystal Polymer w/ stainless steel shell 5 Liquid Crystal Polymer w/ titanium shell	BODY MATERIAL: 2 Liquid Crystal Polymer w/ electroless nickel shell 3 Liquid Crystal Polymer w/ electrodeposited cadmium shell <input checked="" type="checkbox"/> 4 Liquid Crystal Polymer w/ stainless steel shell *** 5 Liquid Crystal Polymer w/ titanium shell ***

SIZE	
XXX Number of contacts (009, 015, 021, 025, 031, 037 or 051)	XXX Number of contacts (009, 015, 021, 025, 031, 037 or 051)

CONTACTS	
TYPE CONTACTS/TERMINATIONS: 32 Pin, right angle, .109" 33 Pin, right angle, .140" 34 Pin, right angle, .172"	TYPE CONTACTS/TERMINATIONS: 26 Socket, straight, crimped wire
PLATING OPTIONS: 5 50 u" Au contacts; Sn/Pb alloy terminations <input checked="" type="checkbox"/> 8 50 u" Au contacts; Tin plated terminations	PLATING OPTIONS: 1 50 u" Au contacts

HARDWARE	
STYLE OF HARDWARE: 00 None TH Threaded hole, #0-80 UNF **	STYLE OF HARDWARE: 00 None *** JC Turning jackscrews, captivated #0-80 UNF*
WIRING OPTIONS: 00 None	WIRING OPTIONS: XX See wiring codes, Page NA-2

* = Recommended torque value 1.0 inch-lbs. max.
 Ball end hex wrench not recommended
 Hex wrench key/bit conforming to the requirements of ASME / ANSI-B-18.3 is recommended.
 .050" hex L-key long arm wrench - order AirBorn p/n CDG14148.

** = Threaded hole tapped directly into stainless steel and titanium shells, aluminum shells have stainless steel inserts (as shown on previous page).

*** = Not available option if specifying factory installed backshell.

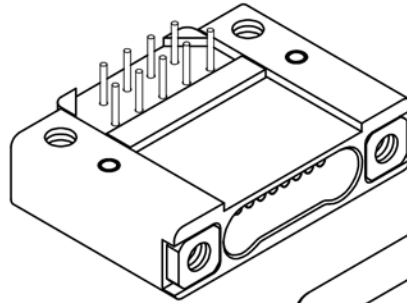
= Option not RoHS compliant

1 ROW Cable to Board Right Angle PTH

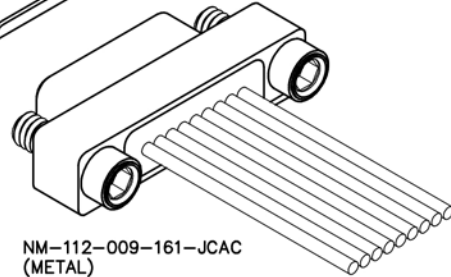
.025"

NM, NK

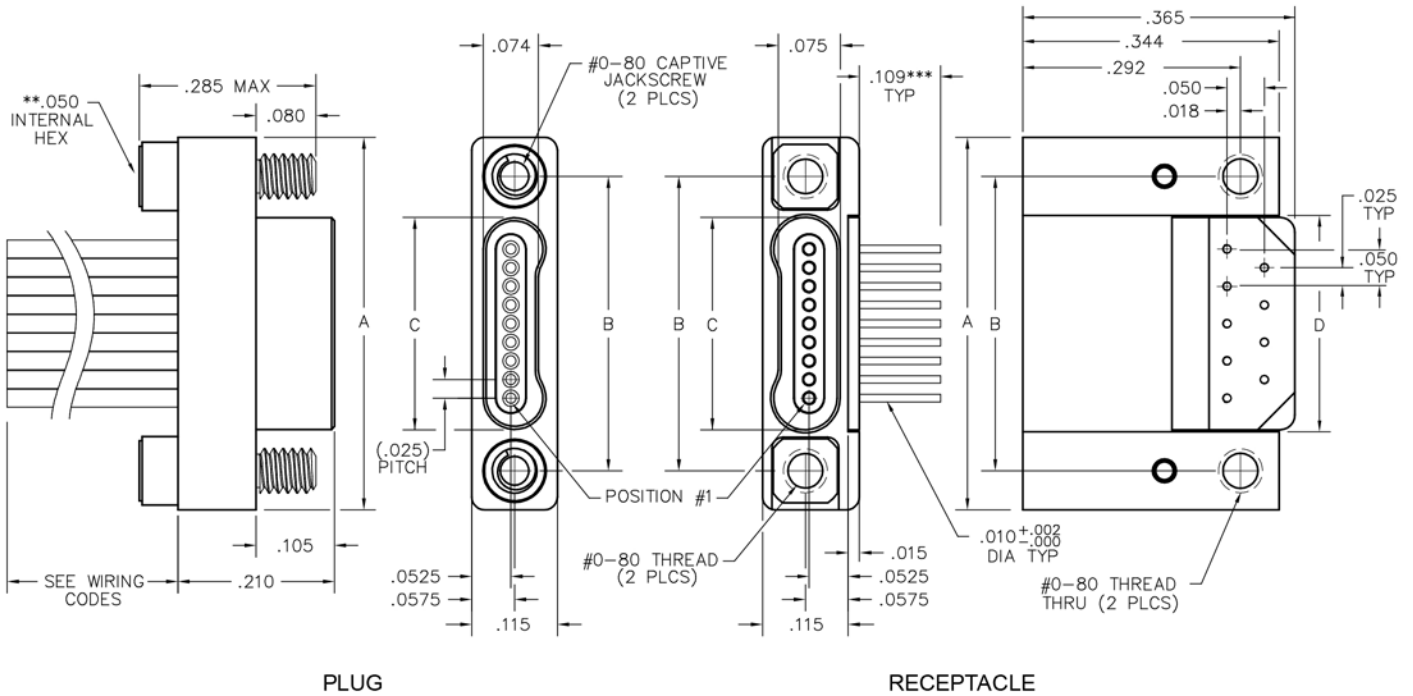
9 thru 51 Contacts



NK-1F2-009-435-TH00
(METAL)

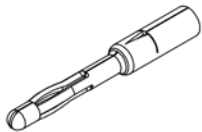


NM-112-009-161-JCAC
(METAL)



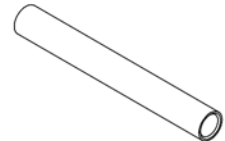
PLUG

RECEPTACLE



PIN CONTACT
3 TINE SPRING MEMBER, CRIMP

SIZE	A	B	C		D
			PLUG	RCPT	
9	.500	.395	.284	.285	.290
15	.650	.545	.434	.435	.440
21	.800	.695	.584	.585	.590
25	.900	.795	.684	.685	.690
31	1.050	.945	.834	.835	.840
37	1.200	1.095	.984	.985	.990
51	1.550	1.445	1.334	1.335	1.340



SOCKET CONTACT
DRAWN TUBE, CRIMP

** = HEX MEASUREMENT TAKEN ACROSS THE FLATS.
*** = OTHER LENGTHS AS REQUIRED



PLUG: NM-112-009-161-JCAC
 RECEPTACLE: NK-1F2-009-435-TH00
 XX-XXX-XXX-XXX-XXXX

PLUG		RECEPTACLE	
SERIES			
NM .025" Metal I/O Connector		NK .025" Metal PC Board Mounted Connector	

BODY			
1	1-Row	1	1-Row
BODY STYLE:		BODY STYLE:	
1	Plug, straight	F	Receptacle, right angle, plated thru hole (PTH)
5	Plug, straight with factory installed backshell (See page NA-4)		
BODY MATERIAL:		BODY MATERIAL:	
2	Liquid Crystal Polymer w/ electroless nickel shell	2	Liquid Crystal Polymer w/ electroless nickel shell
3	Liquid Crystal Polymer w/ electrodeposited cadmium shell <input checked="" type="checkbox"/>	3	Liquid Crystal Polymer w/ electrodeposited cadmium shell <input checked="" type="checkbox"/>
4	Liquid Crystal Polymer w/ stainless steel shell ***	4	Liquid Crystal Polymer w/ stainless steel shell
5	Liquid Crystal Polymer w/ titanium shell ***	5	Liquid Crystal Polymer w/ titanium shell

SIZE					
XXX	Number of contacts (009, 015, 021, 025, 031, 037 or 051)		XXX	Number of contacts (009, 015, 021, 025, 031, 037 or 051)	

CONTACTS			
TYPE CONTACTS/TERMINATIONS:		TYPE CONTACTS/TERMINATIONS:	
16	Pin, straight, crimped wire	43	Socket, right angle, .109"
		44	Socket, right angle, .140"
		45	Socket, right angle, .172"
PLATING OPTIONS:		PLATING OPTIONS:	
1	50 u" Au contacts	5	50 u" Au contacts; Sn/Pb alloy terminations <input checked="" type="checkbox"/>
		8	50 u" Au contacts; Tin plated terminations

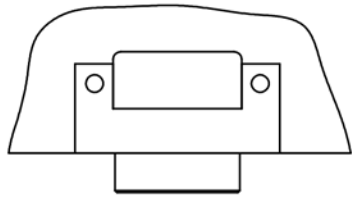
HARDWARE			
STYLE OF HARDWARE:		STYLE OF HARDWARE:	
00	None ***	00	None
JC	Turning jackscrews, captivated #0-80 UNF*	TH	Threaded hole, #0-80 UNF **
WIRING OPTIONS:		WIRING OPTIONS:	
XX	See wiring codes, Page NA-2	00	None

* = Recommended torque value 1.0 inch-lbs. max.
 Ball end hex wrench not recommended
 Hex wrench key/bit conforming to the requirements of ASME / ANSI-B-18.3 is recommended.
 .050" hex L-key long arm wrench - order AirBorn p/n CDG14148.
 ** = Threaded hole tapped directly into stainless steel and titanium shells, aluminum shells have stainless steel inserts (as shown on previous page).
 *** = Not available option if specifying factory installed backshell.

= Option not RoHS compliant

Recommended PC Board Layout

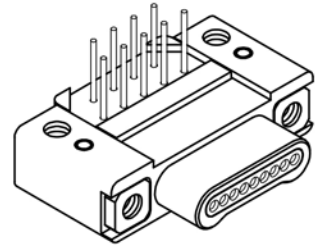
Right Angle PTH Plug
FOR REFERENCE ONLY



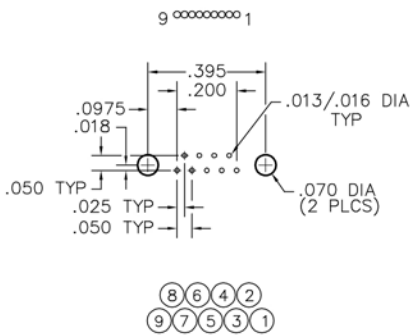
PC BOARD LAYOUT
COMPONENT SIDE



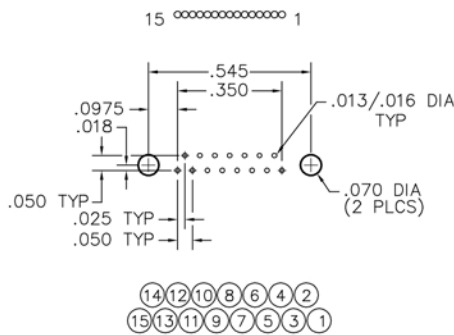
CONNECTOR MATING FACE



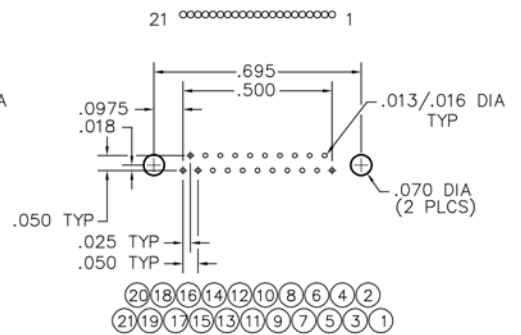
9 POSITION



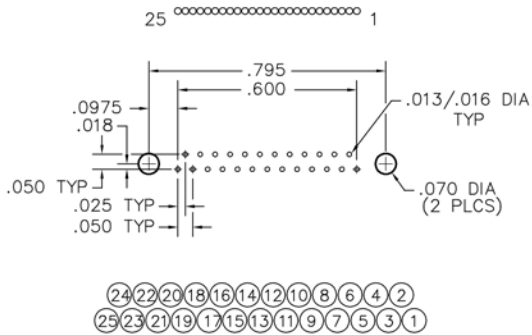
15 POSITION



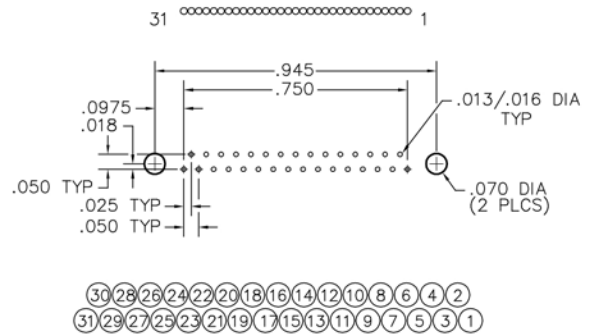
21 POSITION



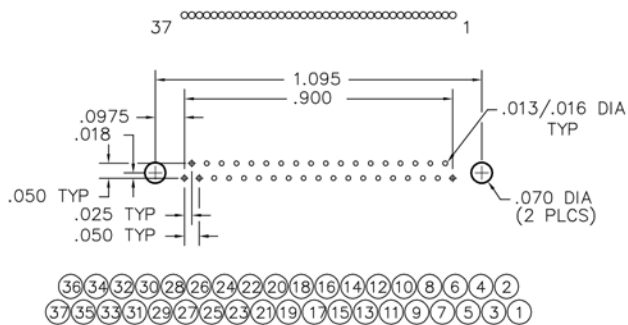
25 POSITION



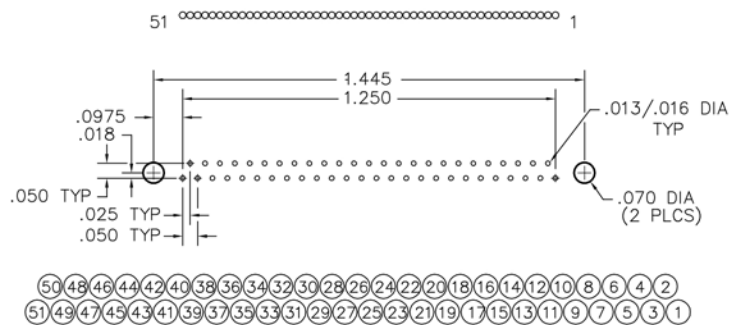
31 POSITION

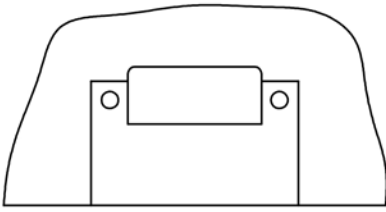


37 POSITION

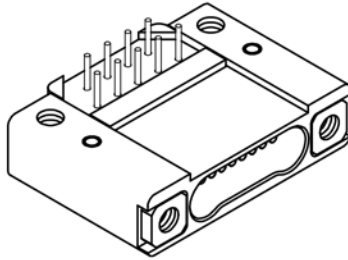


51 POSITION



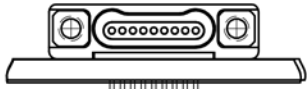


PC BOARD LAYOUT
COMPONENT SIDE



Recommended PC Board Layout

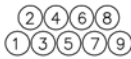
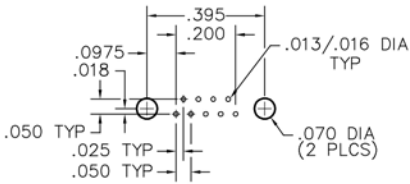
Right Angle PTH Receptacle
FOR REFERENCE ONLY



CONNECTOR MATING FACE

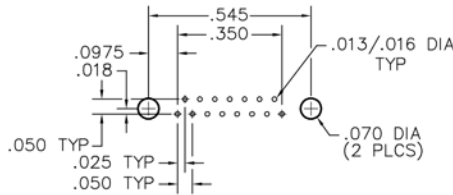
9 POSITION

1 ○○○○○○○○ 9



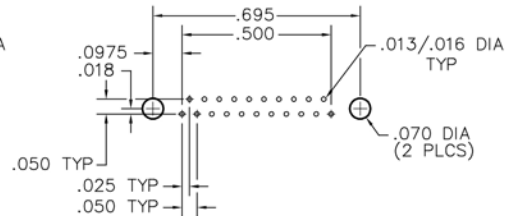
15 POSITION

1 ○○○○○○○○○○ 15



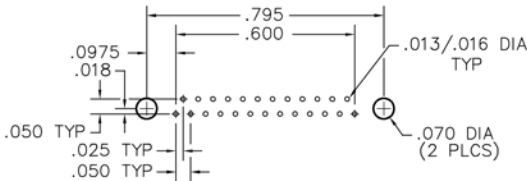
21 POSITION

1 ○○○○○○○○○○○○ 21



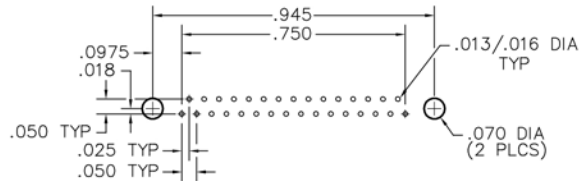
25 POSITION

1 ○○○○○○○○○○○○○○ 25



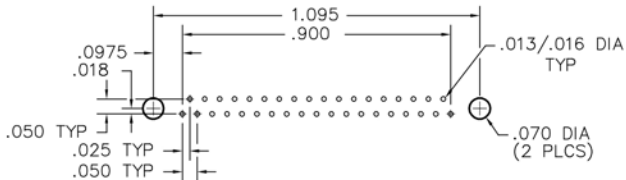
31 POSITION

1 ○○○○○○○○○○○○○○○○ 31



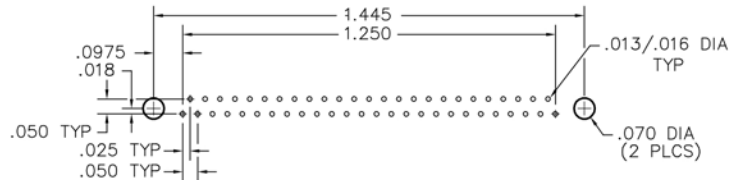
37 POSITION

1 ○○○○○○○○○○○○○○○○○○ 37



51 POSITION

1 ○○○○○○○○○○○○○○○○○○○○ 51



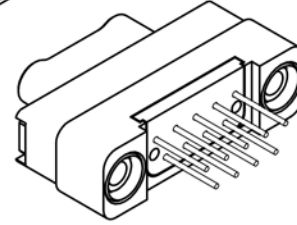
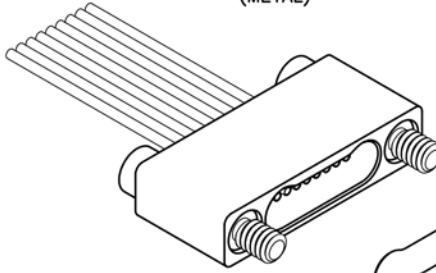
1 ROW Cable to Board Vertical PTH

.025"

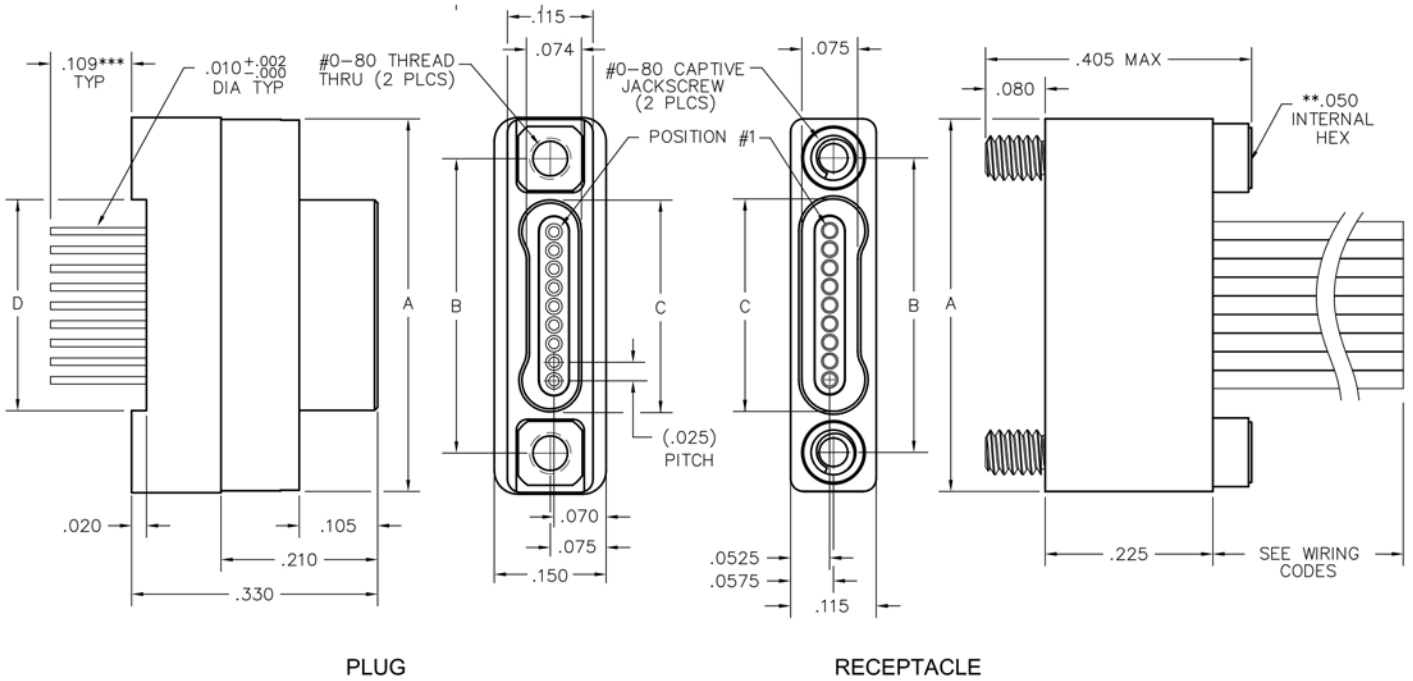
NM, NK

9 thru 51 Contacts

NM-122-009-261-JCAC
(METAL)

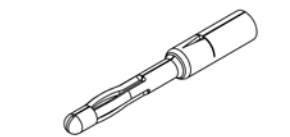


NK-1G2-009-135-TH00
(METAL)



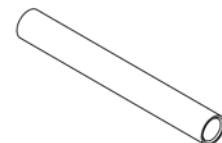
PLUG

RECEPTACLE



PIN CONTACT
3 TINE SPRING MEMBER, CRIMP

SIZE	A	B	C		D
			PLUG	RCPT	
9	.500	.395	.284	.285	.285
15	.650	.545	.434	.435	.435
21	.800	.695	.584	.585	.585
25	.900	.795	.684	.685	.685
31	1.050	.945	.834	.835	.835
37	1.200	1.095	.984	.985	.985
51	1.550	1.445	1.334	1.335	1.335



SOCKET CONTACT
DRAWN TUBE, CRIMP

** = HEX MEASUREMENT TAKEN ACROSS THE FLATS.
*** = OTHER LENGTHS AS REQUIRED



PLUG: NK-1G2-009-135-TH00
 RECEPTACLE: NM-122-009-261-JCAC
 XX-XXX-XXX-XXX-XXXX

PLUG RECEPTACLE
SERIES

NK .025" Metal PC Board Mounted Connector | NM .025" Metal I/O Connector

BODY

1 1-Row	1 1-Row
BODY STYLE: G Plug, vertical mount, plated thru hole (PTH)	BODY STYLE: 2 Receptacle, straight 6 Receptacle, straight with factory installed backshell (See page NA-4)

BODY MATERIAL: 2 Liquid Crystal Polymer w/ electroless nickel shell 3 Liquid Crystal Polymer w/ electrodeposited cadmium shell <input checked="" type="checkbox"/>	BODY MATERIAL: 2 Liquid Crystal Polymer w/ electroless nickel shell 3 Liquid Crystal Polymer w/ electrodeposited cadmium shell <input checked="" type="checkbox"/>
4 Liquid Crystal Polymer w/ stainless steel shell 5 Liquid Crystal Polymer w/ titanium shell	4 Liquid Crystal Polymer w/ stainless steel shell *** 5 Liquid Crystal Polymer w/ titanium shell ***

SIZE

XXX Number of contacts (009, 015, 021, 025, 031, 037 or 051) | XXX Number of contacts (009, 015, 021, 025, 031, 037 or 051)

CONTACTS

TYPE CONTACTS/TERMINATIONS: 13 Pin, straight, .109" 14 Pin, straight, .140" 15 Pin, straight, .172"	TYPE CONTACTS/TERMINATIONS: 26 Socket, straight, crimped wire
PLATING OPTIONS: 5 50 u" Au contacts; Sn/Pb alloy terminations <input checked="" type="checkbox"/> 8 50 u" Au contacts; Tin plated terminations	PLATING OPTIONS: 1 50 u" Au contacts

HARDWARE

STYLE OF HARDWARE: 00 None TH Threaded hole, #0-80 UNF **	STYLE OF HARDWARE: 00 None *** JC Turning jackscrews, captivated #0-80 UNF*
WIRING OPTIONS: 00 None	WIRING OPTIONS: XX See wiring codes, Page NA-2

* = Recommended torque value 1.0 inch-lbs. max.
 Ball end hex wrench not recommended
 Hex wrench key/bit conforming to the requirements of ASME / ANSI-B-18.3 is recommended.
 .050" hex L-key long arm wrench - order AirBorn p/n CDG14148.
 ** = Threaded hole tapped directly into stainless steel and titanium shells, aluminum shells have stainless steel inserts (as shown on previous page).
 *** = Not available option if specifying factory installed backshell.

= Option not RoHS compliant

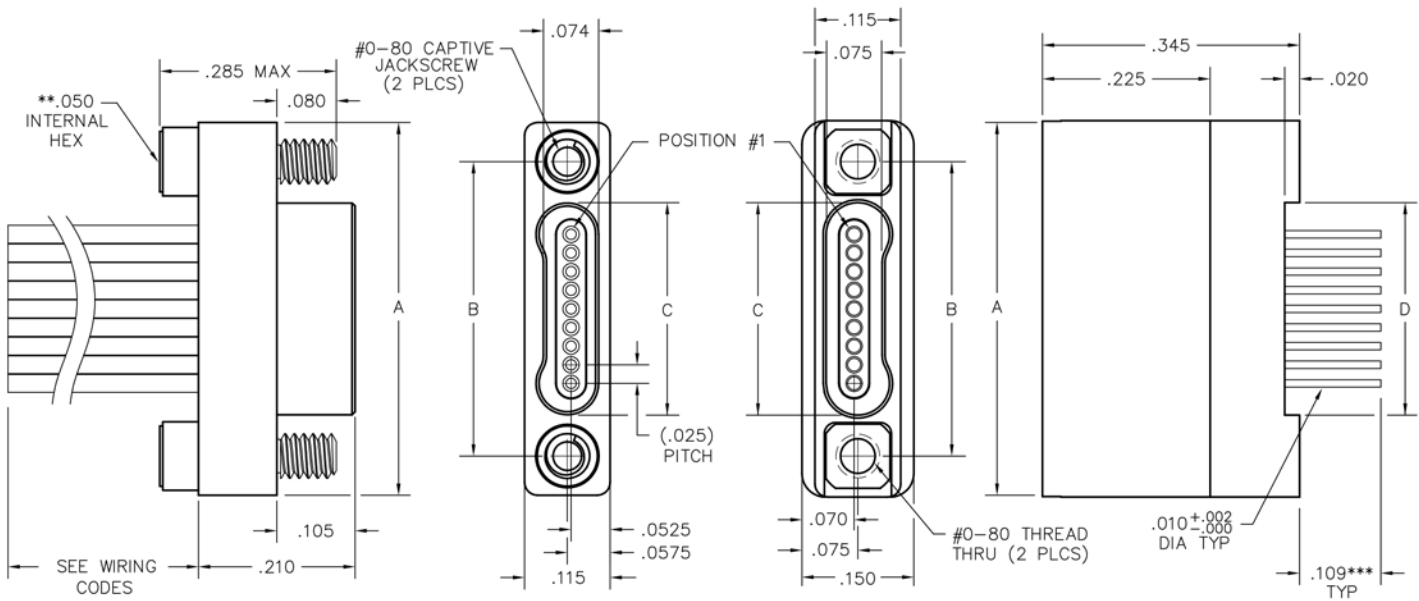
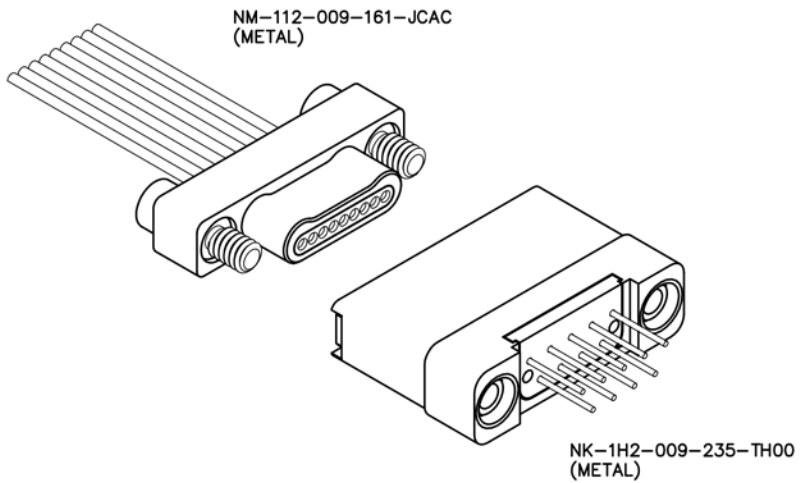


1 · ROW
Cable to Board
Vertical PTH

.025"

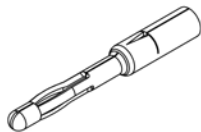
NM, NK

9 thru 51 Contacts



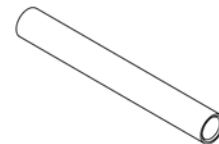
PLUG

RECEPTACLE



PIN CONTACT
 3 TINE SPRING MEMBER, CRIMP

SIZE	A	B	C		D
			PLUG	RCPT	
9	.500	.395	.284	.285	.285
15	.650	.545	.434	.435	.435
21	.800	.695	.584	.585	.585
25	.900	.795	.684	.685	.685
31	1.050	.945	.834	.835	.835
37	1.200	1.095	.984	.985	.985
51	1.550	1.445	1.334	1.335	1.335



SOCKET CONTACT
 DRAWN TUBE, CRIMP

** = HEX MEASUREMENT TAKEN ACROSS THE FLATS.
 *** = OTHER LENGTHS AS REQUIRED



PLUG: NM-112-009-161-JCAC
RECEPTACLE: NK-1H2-009-235-TH00
 XX-XXX-XXX-XXX-XXXX

PLUG	RECEPTACLE
SERIES	
NM .025" Metal I/O Connector	NK .025" Metal PC Board Mounted Connector

BODY	
1 1-Row	1 1-Row
BODY STYLE: 1 Plug, straight 5 Plug, straight with factory installed backshell (See page NA-4)	BODY STYLE: H Receptacle, vertical mount, plated thru hole (PTH)

BODY MATERIAL: 2 Liquid Crystal Polymer w/ electroless nickel shell 3 Liquid Crystal Polymer w/ electrodeposited cadmium shell <input checked="" type="checkbox"/> 4 Liquid Crystal Polymer w/ stainless steel shell *** 5 Liquid Crystal Polymer w/ titanium shell ***	BODY MATERIAL: 2 Liquid Crystal Polymer w/ electroless nickel shell 3 Liquid Crystal Polymer w/ electrodeposited cadmium shell <input checked="" type="checkbox"/> 4 Liquid Crystal Polymer w/ stainless steel shell 5 Liquid Crystal Polymer w/ titanium shell
--	--

SIZE	
XXX Number of contacts (009, 015, 021, 025, 031, 037 or 051)	XXX Number of contacts (009, 015, 021, 025, 031, 037 or 051)

CONTACTS	
TYPE CONTACTS/TERMINATIONS: 16 Pin, straight, crimped wire	TYPE CONTACTS/TERMINATIONS: 23 Socket, straight, .109" 24 Socket, straight, .140" 25 Socket, straight, .172"
PLATING OPTIONS: 1 50 u" Au contacts	PLATING OPTIONS: 5 50 u" Au contacts; Sn/Pb alloy terminations <input checked="" type="checkbox"/> 8 50 u" Au contacts; Tin plated terminations

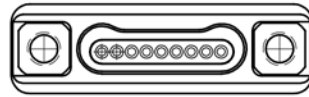
HARDWARE	
STYLE OF HARDWARE: 00 None *** JC Turning jackscrews, captivated #0-80 UNF*	STYLE OF HARDWARE: 00 None TH Threaded hole, #0-80 UNF
WIRING OPTIONS: XX See wiring codes, Page NA-2	WIRING OPTIONS: 00 None

* = Recommended torque value 1.0 inch-lbs. max.
 Ball end hex wrench not recommended
 Hex wrench key/bit conforming to the requirements of ASME / ANSI-B-18.3 is recommended.
 .050" hex L-key long arm wrench - order AirBorn p/n CDG14148.
 ** = Threaded hole tapped directly into stainless steel and titanium shells, aluminum shells have stainless steel inserts (as shown on previous page).
 *** = Not available option if specifying factory installed backshell.

= Option not RoHS compliant

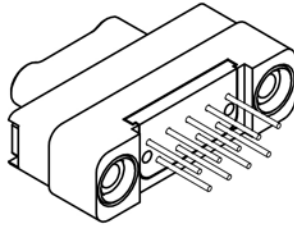


Recommended PC Board Layout

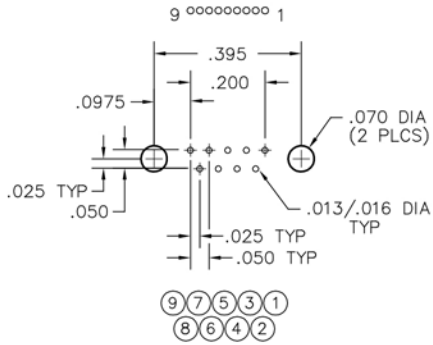


CONNECTOR MATING FACE

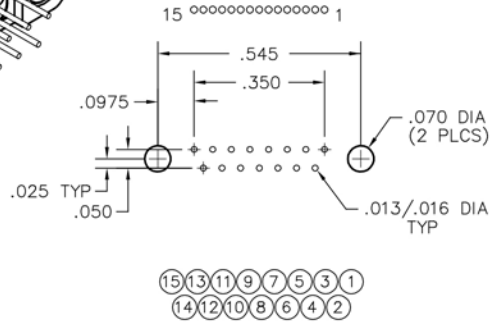
Vertical PTH Plug
FOR REFERENCE ONLY



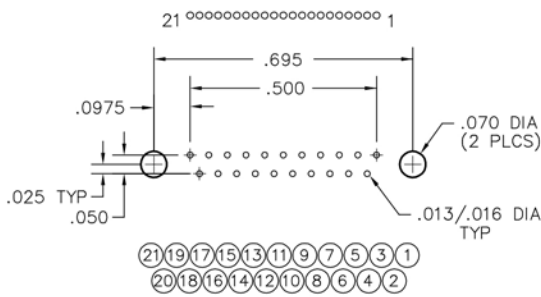
9 POSITION



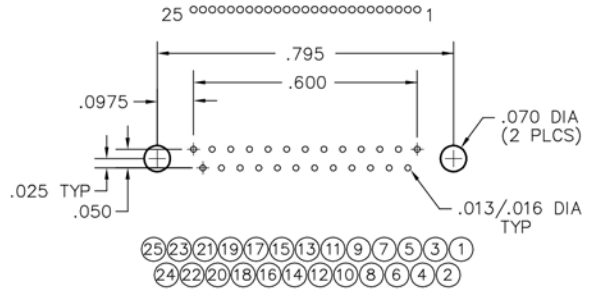
15 POSITION



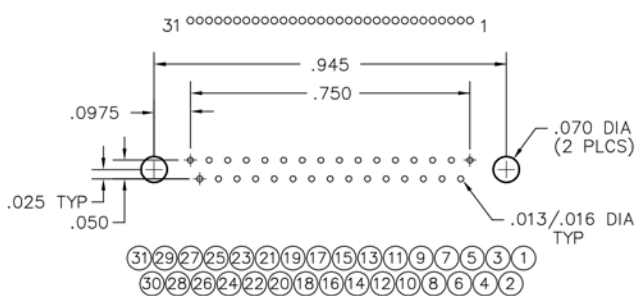
21 POSITION



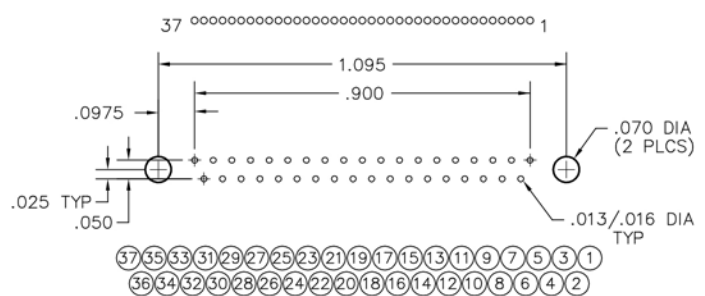
25 POSITION



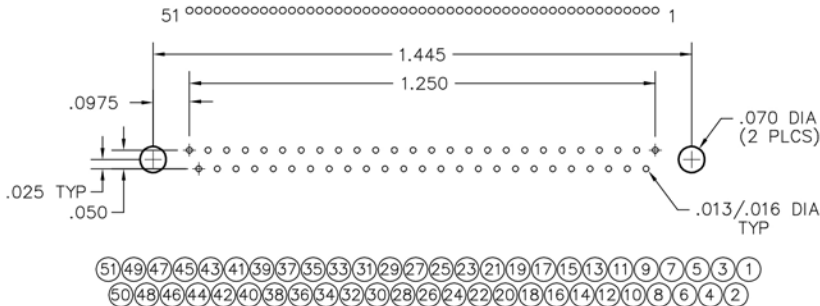
31 POSITION



37 POSITION

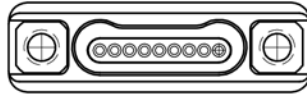


51 POSITION



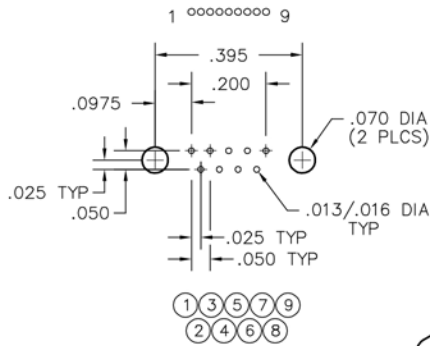
Recommended PC Board Layout

Vertical PTH Receptacle
FOR REFERENCE ONLY

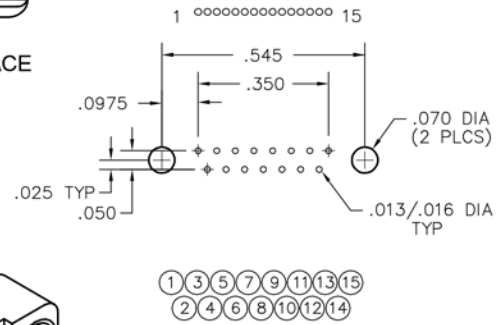


CONNECTOR MATING FACE

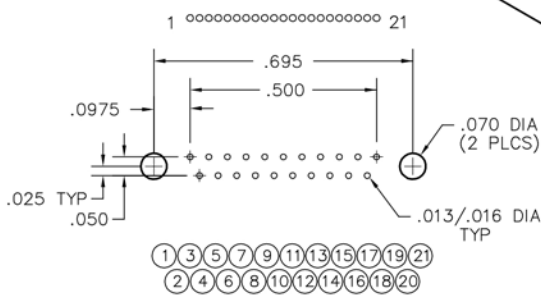
9 POSITION



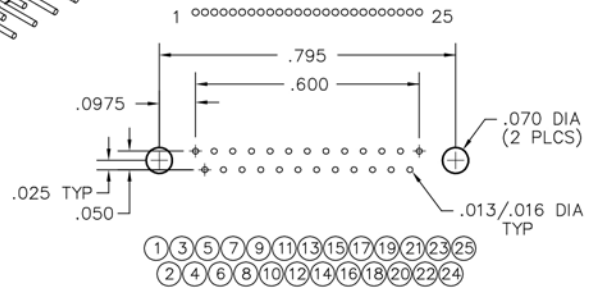
15 POSITION



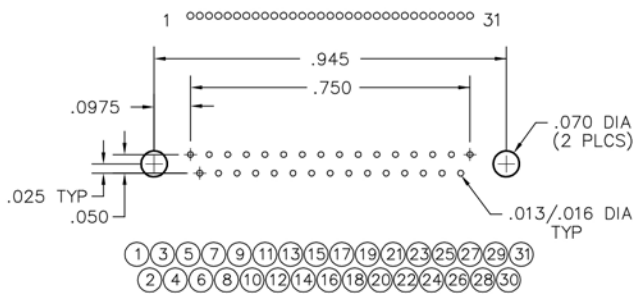
21 POSITION



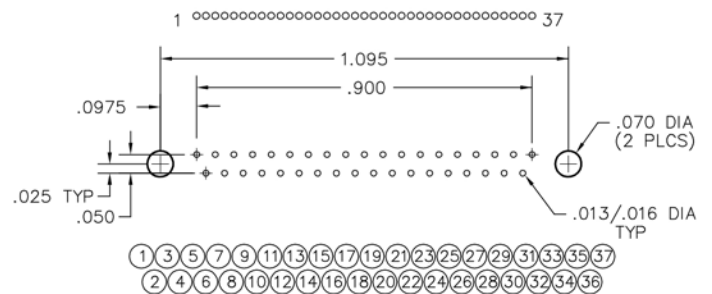
25 POSITION



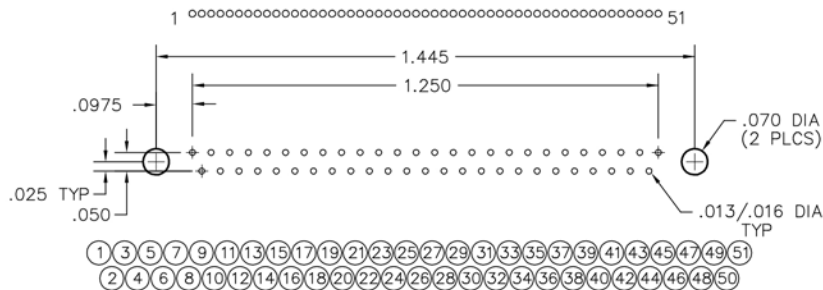
31 POSITION



37 POSITION



51 POSITION





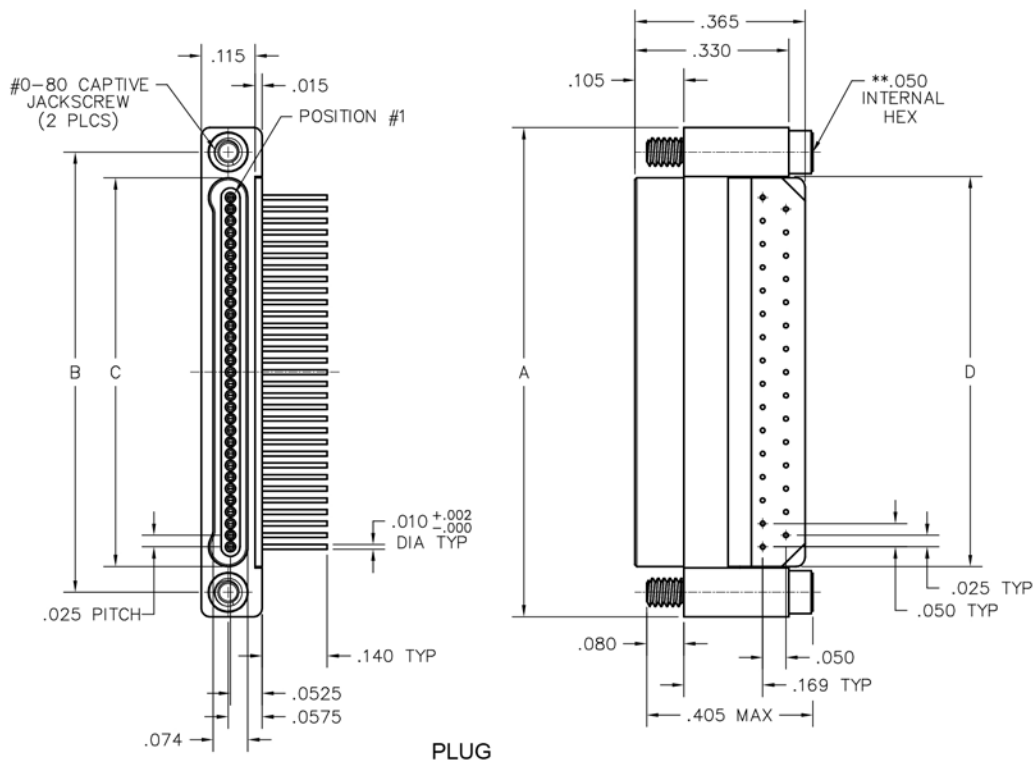
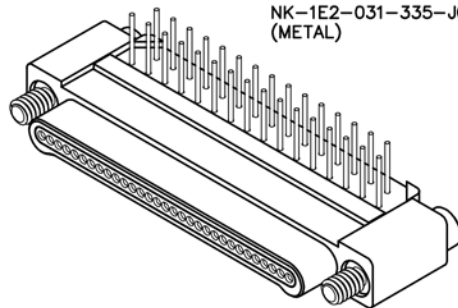
1 · ROW
Flex to
Board Plug

.025"

NK, NK

9 thru 51 Contacts

NK-1E2-031-335-JC00
(METAL)



SIZE	DIMENSIONS				
	A	B	C		D
			PLUG	RCPT	
9	.500	.395	.284	.285	.290
15	.650	.545	.434	.435	.440
21	.800	.695	.584	.585	.590
25	.900	.795	.684	.685	.690
31	1.050	.945	.834	.835	.840
37	1.200	1.095	.984	.985	.990
51	1.550	1.445	1.334	1.335	1.340

** = HEX MEASUREMENT TAKEN ACROSS THE FLATS.

PLUG: NK-1E2-031-335-JC00
 XX-XXX-XXX-XXX-XXXX

PLUG

SERIES

NK .025" Metal PC Board Mounted Connector

BODY

1 1-Row

BODY STYLE:

E Plug, right angle, plated thru hole (PTH)

BODY MATERIAL:

- 2 Liquid Crystal Polymer w/ electroless nickel shell
- 3 Liquid Crystal Polymer w/ electrodeposited cadmium shell
- 4 Liquid Crystal Polymer w/ stainless steel shell
- 5 Liquid Crystal Polymer w/ titanium shell

SIZE

XXX Number of contacts (009, 015, 021, 025, 031, 037 or 051)

CONTACTS

TYPE CONTACTS/TERMINATIONS:

- 32 Pin, right angle, .109"
- 33 Pin, right angle, .140"
- 34 Pin, right angle, .172"

PLATING OPTIONS:

- 5 50 u" Au contacts; Sn/Pb alloy terminations
- 8 50 u" Au contacts; Tin plated terminations

HARDWARE

STYLE OF HARDWARE:

- 00 None
- JC Turning jackscrews, captivated #0-80 UNF*

WIRING OPTIONS:

- 00 None

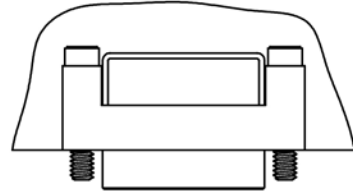
* = .050 hex key (#0-80 thread)
 Recommended torque value 1.0 inch-lbs. max. (#0-80 thread)
 Ball end hex wrench not recommended
 Hex wrench key/bit conforming to the requirements of ASME / ANSI-B-18.3 is recommended.
 .050" hex L-key long arm wrench - order AirBorn p/n CDG14148.

= Option not RoHS compliant

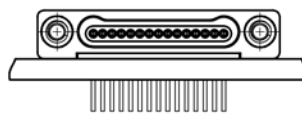
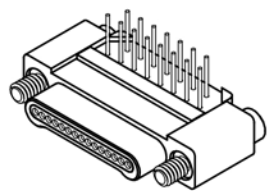


Recommended Flex Circuit Layout

Right Angle Flex Mount PTH Plug
FOR REFERENCE ONLY

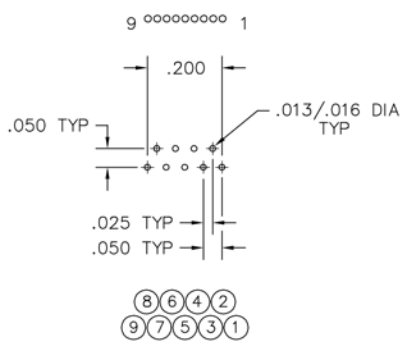


FLEX CIRCUIT LAYOUT
COMPONENT SIDE

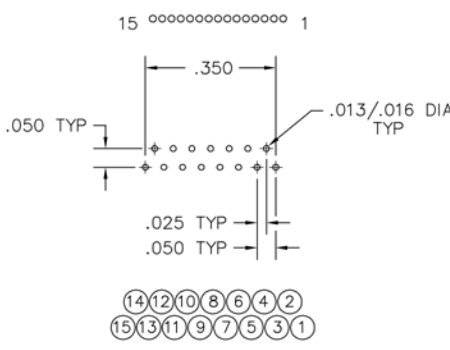


CONNECTOR MATING FACE

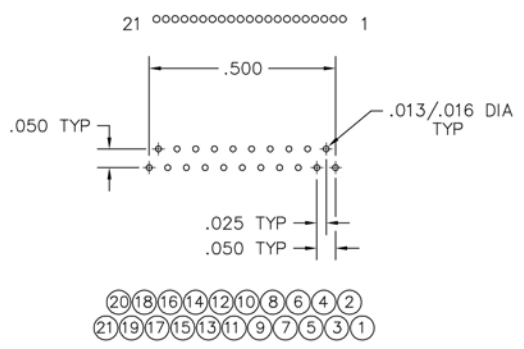
9 POSITION



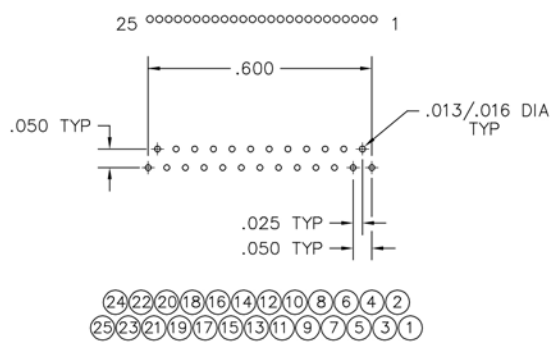
15 POSITION



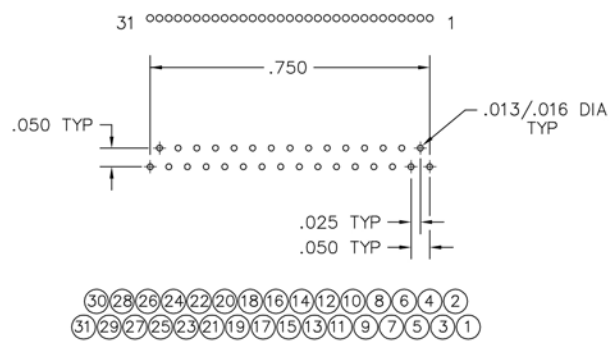
21 POSITION



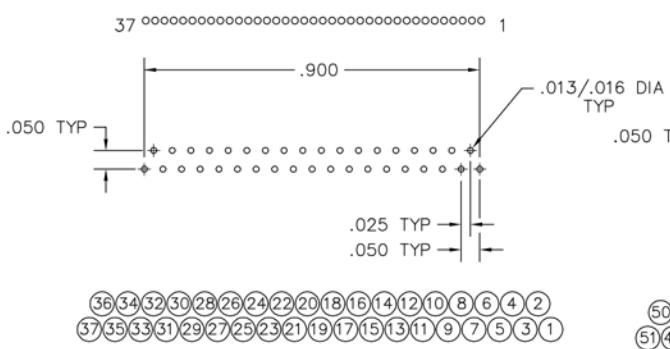
25 POSITION



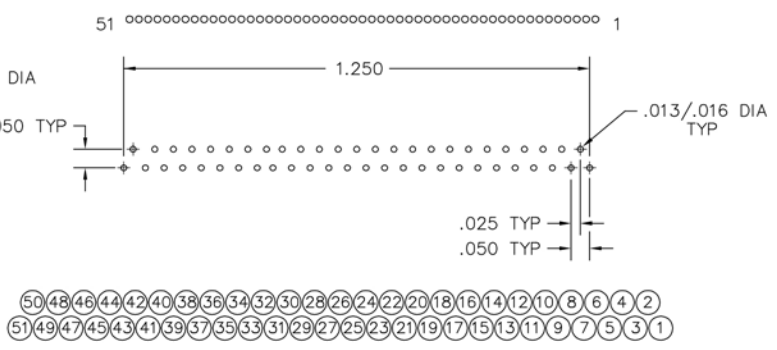
31 POSITION



37 POSITION



51 POSITION



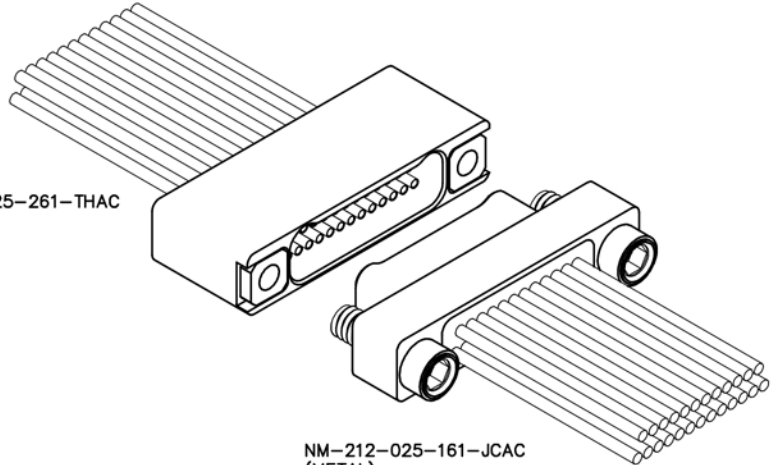
2 · ROW Cable to Cable

.025"

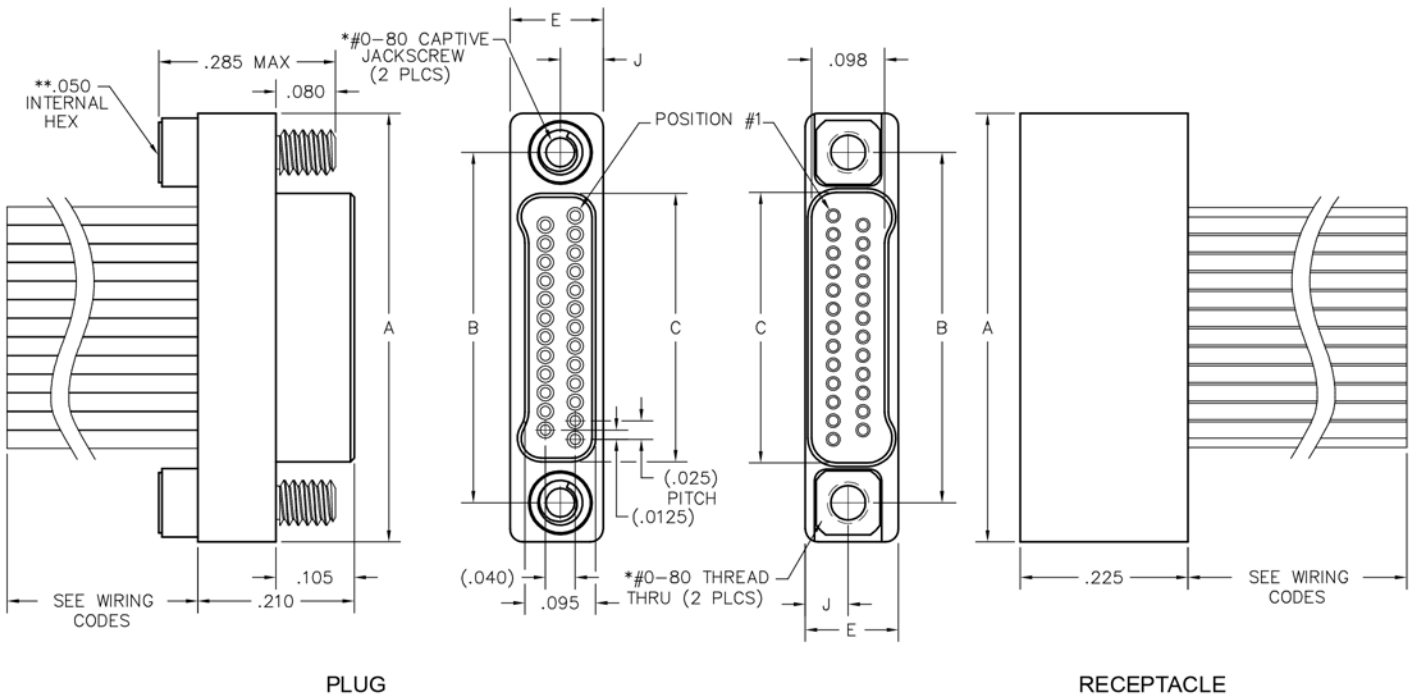
NM, NM

9 thru 91 Contacts

NM-222-025-261-THAC
(METAL)



NM-212-025-161-JCAC
(METAL)



PLUG

RECEPTACLE



SIZE	DIMENSIONS				E	J	*HARDWARE
	A	B	C				
			PLUG	RCPT			
9	.375	.270	.160	.163	.125	.0575	#0-80 THREAD
15	.450	.345	.235	.238			
21	.525	.420	.310	.313			
25	.575	.470	.360	.363			
31	.650	.545	.435	.438			
37	.725	.620	.510	.513			
51	.900	.795	.685	.688			
65	1.075	.970	.860	.863	.150	.0700	#2-56 THREAD
69	1.125	1.020	.910	.913			
85	1.377	1.246	1.110	1.113			
91	1.452	1.321	1.185	1.195			



* = #2-56 UNC THREAD ON 85 AND 91 POSITION CONNECTORS.
 ** = 1/16" HEX ON 85 POSITION CONNECTORS. HEX MEASUREMENTS TAKEN ACROSS THE FLATS.



PLUG: NM-212-025-161-JCAC
RECEPTACLE: NM-222-025-261-THAC
 XX-XXX-XXX-XXX-XXXX

PLUG		RECEPTACLE	
SERIES			
NM	.025" Metal I/O Connector	NM	.025" Metal I/O Connector

BODY			
2	2-Row	2	2-Row
BODY STYLE:		BODY STYLE:	
1	Plug, straight	2	Receptacle, straight
5	Plug, straight, with factory installed backshell (See page NA-3)	6	Receptacle, straight, with factory installed backshell (See page NA-3)
BODY MATERIAL:		BODY MATERIAL:	
2	Liquid Crystal Polymer w/ electroless nickel shell	2	Liquid Crystal Polymer w/ electroless nickel shell
3	Liquid Crystal Polymer w/ electrodeposited cadmium shell <input checked="" type="checkbox"/>	3	Liquid Crystal Polymer w/ electrodeposited cadmium shell <input checked="" type="checkbox"/>
4	Liquid Crystal Polymer w/ stainless steel shell ***	4	Liquid Crystal Polymer w/ stainless steel shell ***
5	Liquid Crystal Polymer w/ titanium shell ***	5	Liquid Crystal Polymer w/ titanium shell ***

SIZE			
XXX	Number of contacts (009, 015, 021, 025, 031, 037, 051, 065, 069, 085 or 091)	XXX	Number of contacts (009, 015, 021, 025, 031, 037, 051, 065, 069, 085, or 091)

CONTACTS			
TYPE CONTACTS/TERMINATIONS:		TYPE CONTACTS/TERMINATIONS:	
16	Pin, straight, crimped wire	26	Socket, straight, crimped wire
PLATING OPTIONS:		PLATING OPTIONS:	
1	50 u" Au contacts	1	50 u" Au contacts

HARDWARE			
STYLE OF HARDWARE:		STYLE OF HARDWARE:	
00	None ***	00	None ***
JC	Turning jackscrews, captivated #0-80 UNF*	JC	Turning jackscrews, captivated #0-80 UNF* (body material 2 and 3 only)
TH	Threaded hole**, #0-80 UNF* (body material 2 and 3 only)	TH	Threaded hole**, #0-80 UNF*
WIRING OPTIONS:		WIRING OPTIONS:	
XX	See wiring codes, Page NA-2	XX	See wiring codes, Page NA-2

* = #2-56 UNC thread on 85 and 91 position connectors
 .050 hex key (#0-80 thread)
 1/16" hex key (#2-56 thread)
 Recommended torque value 1.0 inch-lbs. max. (#0-80 thread)
 Recommended torque value 2.0 inch-lbs. max. (#2-56 thread)
 Ball end hex wrench not recommended
 Hex wrench key/bit conforming to the requirements of ASME / ANSI-B-18.3 is recommended.
 .050" hex L-key long arm wrench - order AirBorn p/n CDG14148.
 1/16" hex L-key long arm wrench - order AirBorn p/n CDG14160.
 ** = Threaded hole tapped directly into stainless steel and titanium shells, aluminum shells have stainless steel inserts (as shown on previous page).
 *** = Not available option if specifying factory installed backshell

= Option not RoHS compliant

NM-2J2-025-PS1-JTAW
 XX-XXX-XXX-XXX-XXXX

SERIES	
NM .025" Metal I/O Connector	
BODY	
2	2-Row
BODY STYLE:	
J	Jumper assembly
BODY MATERIAL:	
2	Liquid Crystal Polymer with electroless nickel shell
3	Liquid Crystal Polymer with electrodeposited cadmium shell <input checked="" type="checkbox"/>
4	Liquid Crystal Polymer with stainless steel shell
5	Liquid Crystal Polymer with titanium shell
SIZE	
XXX Number of contacts (009, 015, 021, 025, 031, 037, 051, 065, 069, 085 or 091)	
CONTACTS	
TYPE CONTACTS/TERMINATIONS:	
PP	Plug to plug
PS	Plug to receptacle
SS	Receptacle to receptacle
PLATING OPTIONS:	
1	50 μ" Au contacts
HARDWARE	
STYLE OF HARDWARE:	
00	None
JJ	Four #0-80 UNF* turning jackscrews, captivated, two on each connector
JT	Two #0-80 UNF* turning jackscrews, captivated, on plug & two #0-80 UNF* threaded holes** on receptacle
JP	Two #0-80 UNF* turning jackscrews, captivated, on plug & two #0-80 UNF* threaded holes** on plug
TJ	Two #0-80 UNF* threaded holes** on plug & two #0-80 UNF* turning jackscrews, captivated, on receptacle
JR	Two #0-80 UNF* turning jackscrews, captivated, on receptacle & two #0-80 UNF* threaded holes** on receptacle
TT	Four #0-80 UNF* threaded holes**, two on each connector
POLARIZATION / WIRING:	
XX	For wiring codes, see page NA-2

* = #2-56 UNC thread on 85, 91 position connectors
 .050 hex key (#0-80 thread)
 1/16" hex key (#2-56 thread)

Recommended torque value 1.0 inch-lbs. max. (#0-80 thread)
 Recommended torque value 2.0 inch-lbs. max. (#2-56 thread)

Ball end hex wrench not recommended

Hex wrench key/bit conforming to the requirements of ASME / ANSI-B-18.3 is recommended.

.050" hex L-key long arm wrench - order AirBorn p/n CDG14148.

1/16" hex L-key long arm wrench - order AirBorn p/n CDG14160.

** = Threaded hole tapped directly into stainless steel and titanium shells, aluminum shells have stainless steel inserts (as shown on previous page).

● Consult factory if jumpers require other than direct one to one connections.

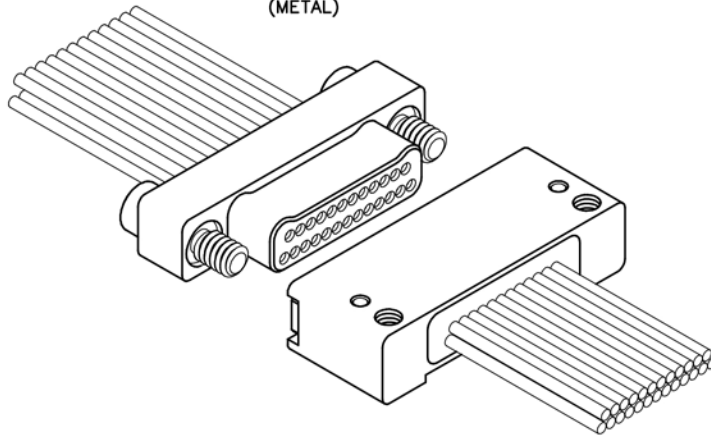
= Option not RoHS compliant

2 · ROW Cable to Cable .025"

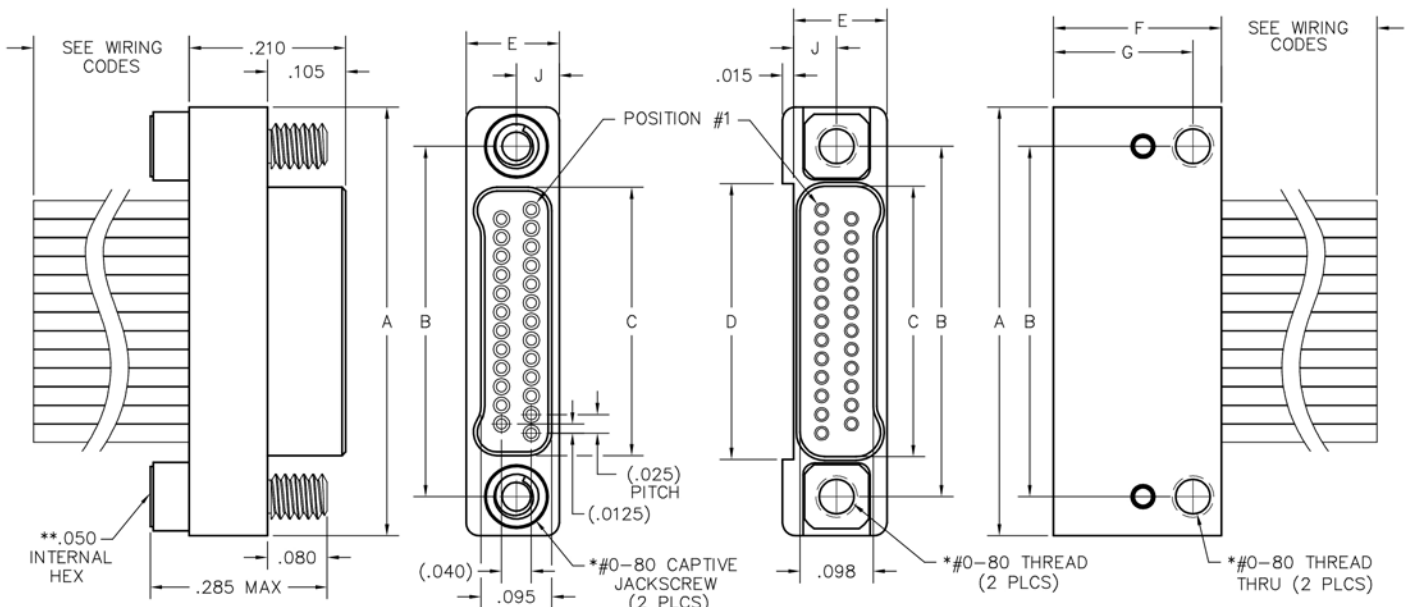
NM, NM

9 thru 91 Contacts

NM-212-025-161-JCAC
(METAL)



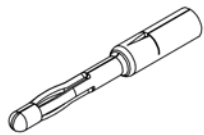
NM-242-025-261-THAC
(METAL)



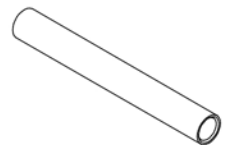
PLUG

RECEPTACLE

SIZE	A	B	C		D	E	F	G	J	*HARDWARE
			PLUG	RCPT						
9	.375	.270	.160	.163	.170	.125	.225	.187	.0575	#0-80 THREAD
15	.450	.345	.235	.238	.245					
21	.525	.420	.310	.313	.320					
25	.575	.470	.360	.363	.370					
31	.650	.545	.435	.438	.445					
37	.725	.620	.510	.513	.520					
51	.900	.795	.685	.688	.695					
65	1.075	.970	.860	.863	.870					
69	1.125	1.020	.910	.913	.920					
85	1.377	1.246	1.110	1.113	1.120					
91	1.452	1.321	1.185	1.188	1.195					



PIN CONTACT
3 TINE SPRING MEMBER, CRIMP



SOCKET CONTACT
DRAWN TUBE, CRIMP

* = #2-56 UNC THREAD ON 85, 91 POSITION CONNECTORS.
** = 1/16" HEX ON 85, 91 POSITION CONNECTORS. HEX MEASUREMENTS TAKEN ACROSS THE FLATS.



PLUG: NM-212-025-161-JCAC
RECEPTACLE: NM-242-025-261-THAC
 XX-XXX-XXX-XXX-XXXX

PLUG **RECEPTACLE**

SERIES

NM .025" Metal I/O Connector	NM .025" Metal I/O Connector
------------------------------	------------------------------

BODY

2 2-Row	2 2-Row
BODY STYLE: 1 Plug, straight 5 Plug, straight, with factory installed backshell (See page NA-3)	BODY STYLE: 4 Receptacle, straight with mounting holes
BODY MATERIAL: 2 Liquid Crystal Polymer w/ electroless nickel shell 3 Liquid Crystal Polymer w/ electrodeposited cadmium shell ☒ 4 Liquid Crystal Polymer w/ stainless steel shell *** 5 Liquid Crystal Polymer w/ titanium shell ***	BODY MATERIAL: 2 Liquid Crystal Polymer w/ electroless nickel shell 3 Liquid Crystal Polymer w/ electrodeposited cadmium shell ☒ 4 Liquid Crystal Polymer w/ stainless steel shell 5 Liquid Crystal Polymer w/ titanium shell

SIZE

XXX Number of contacts (009, 015, 021, 025, 031, 037, 051, 065, 069, 085 or 091)	XXX Number of contacts (009, 015, 021, 025, 031, 037, 051, 065, 069, 085 or 091)
--	--

CONTACTS

TYPE CONTACTS/TERMINATIONS: 16 Pin, straight, crimped wire	TYPE CONTACTS/TERMINATIONS: 26 Socket, straight, crimped wire
PLATING OPTIONS: 1 50 u" Au contacts	PLATING OPTIONS: 1 50 u" Au contacts

HARDWARE

STYLE OF HARDWARE: JC Turning jackscrews, captivated #0-80 UNF*	STYLE OF HARDWARE: TH Threaded hole, #0-80 UNF* **
WIRING OPTIONS: XX See wiring codes, Page NA-2	WIRING OPTIONS: XX See wiring codes, Page NA-2

* = #2-56 UNC thread on 85, 91 position connectors
 .050 hex key (#0-80 thread)
 1/16" hex key (#2-56 thread)
 Recommended torque value 1.0 inch-lbs. max. (#0-80 thread)
 Recommended torque value 2.0 inch-lbs. max. (#2-56 thread)
 Ball end hex wrench not recommended
 Hex wrench key/bit conforming to the requirements of ASME / ANSI-B-18.3 is recommended.
 .050" hex L-key long arm wrench - order AirBorn p/n CDG14148.
 1/16" hex L-key long arm wrench - order AirBorn p/n CDG14160.

** = Threaded hole tapped directly into stainless steel and titanium shells, aluminum shells have stainless steel inserts (as shown on previous page).

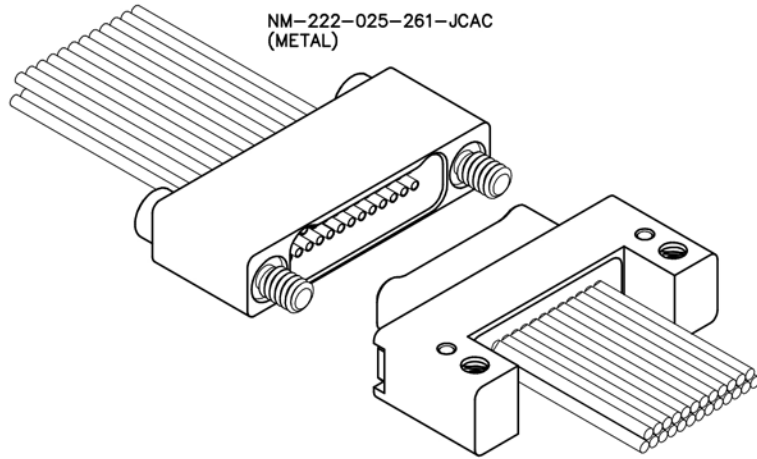
*** = Not available option if specifying factory installed backshell

☒ = Option not ROHS compliant

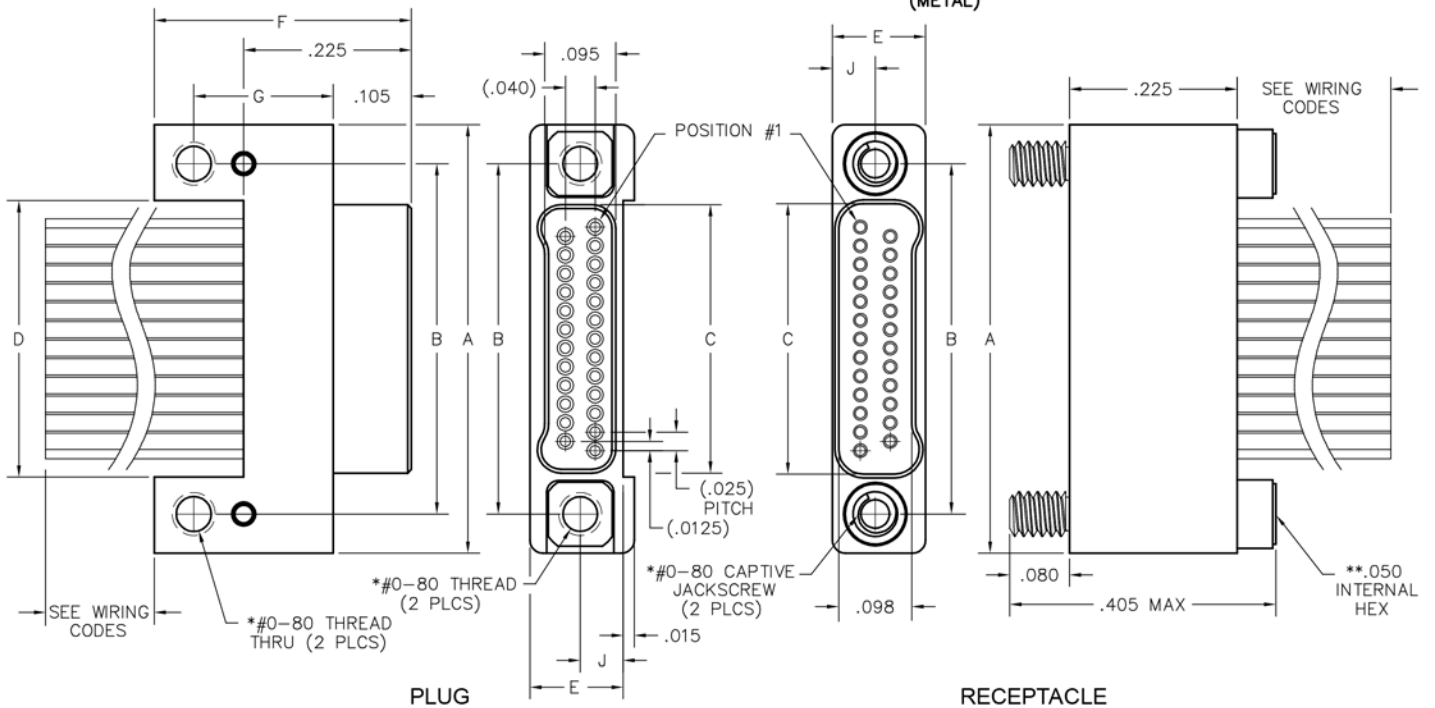
2 · ROW Cable to Cable .025"

NM, NM

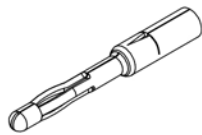
9 thru 91 Contacts



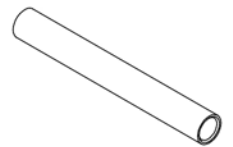
NM-232-025-161-THAC
(METAL)



SIZE	A	B	C		D	E	F	G	J	*HARDWARE
			PLUG	RCPT						
9	.375	.270	.160	.163	.170					
15	.450	.345	.235	.238	.245					
21	.525	.420	.310	.313	.320					
25	.575	.470	.360	.363	.370					
31	.650	.545	.435	.438	.445	.125	.345	.187	.0575	#0-80 THREAD
37	.725	.620	.510	.513	.520					
51	.900	.795	.685	.688	.695					
65	1.075	.970	.860	.863	.870					
69	1.125	1.020	.910	.913	.920					
85	1.377	1.246	1.110	1.113	1.120	.150	.410	.245	.0700	#2-56 THREAD
91	1.452	1.321	1.185	1.188	1.195					



PIN CONTACT
3 TINE SPRING MEMBER, CRIMP



SOCKET CONTACT
DRAWN TUBE, CRIMP

* = #2-56 UNC THREAD ON 85, 91 POSITION CONNECTORS.
** = 1/16" HEX ON 85 POSITION CONNECTORS. HEX MEASUREMENTS TAKEN ACROSS THE FLATS.



PLUG: NM-232-025-161-THAC
 RECEPTACLE: NM-222-025-261-JCAC
 XX-XXX-XXX-XXX-XXXX

PLUG		RECEPTACLE	
SERIES			
NM	.025" Metal I/O Connector	NM	.025" Metal I/O Connector

BODY			
2	2-Row	2	2-Row
BODY STYLE:		BODY STYLE:	
3	Plug, straight with mounting holes	2	Receptacle, straight
		6	Receptacle, straight, with factory installed backshell (See page NA-3)
BODY MATERIAL:		BODY MATERIAL:	
2	Liquid Crystal Polymer w/ electroless nickel shell	2	Liquid Crystal Polymer w/ electroless nickel shell
3	Liquid Crystal Polymer w/ electrodeposited cadmium shell <input checked="" type="checkbox"/>	3	Liquid Crystal Polymer w/ electrodeposited cadmium shell <input checked="" type="checkbox"/>
4	Liquid Crystal Polymer w/ stainless steel shell	4	Liquid Crystal Polymer w/ stainless steel shell ***
5	Liquid Crystal Polymer w/ titanium shell	5	Liquid Crystal Polymer w/ titanium shell ***

SIZE			
XXX	Number of contacts (009, 015, 021, 025, 031, 037, 051, 065, 069, 085, 091)	XXX	Number of contacts (009, 015, 021, 025, 031, 037, 051, 065, 069, 085, 091)

CONTACTS			
TYPE CONTACTS/TERMINATIONS:		TYPE CONTACTS/TERMINATIONS:	
16	Pin, straight, crimped wire	26	Socket, straight, crimped wire
PLATING OPTIONS:		PLATING OPTIONS:	
1	50 u" Au contacts	1	50 u" Au contacts

HARDWARE			
STYLE OF HARDWARE:		STYLE OF HARDWARE:	
TH	Threaded hole, #0-80 UNF* **	JC	Turning jackscrews, captivated #0-80 UNF*
WIRING OPTIONS:		WIRING OPTIONS:	
XX	See wiring codes, Page NA-2	XX	See wiring codes, Page NA-2

* = #2-56 UNC thread on 85, 91 position connectors
 .050 hex key (#0-80 thread)
 1/16" hex key (#2-56 thread)
 Recommended torque value 1.0 inch-lbs. max. (#0-80 thread)
 Recommended torque value 2.0 inch-lbs. max. (#2-56 thread)
 Ball end hex wrench not recommended
 Hex wrench key/bit conforming to the requirements of ASME / ANSI-B-18.3 is recommended.
 .050" hex L-key long arm wrench - order AirBorn p/n CDG14148.
 1/16" hex L-key long arm wrench - order AirBorn p/n CDG14160.
 ** = Threaded hole tapped directly into stainless steel and titanium shells, aluminum shells have stainless steel inserts (as shown on previous page).
 *** = Not available option if specifying factory installed backshell

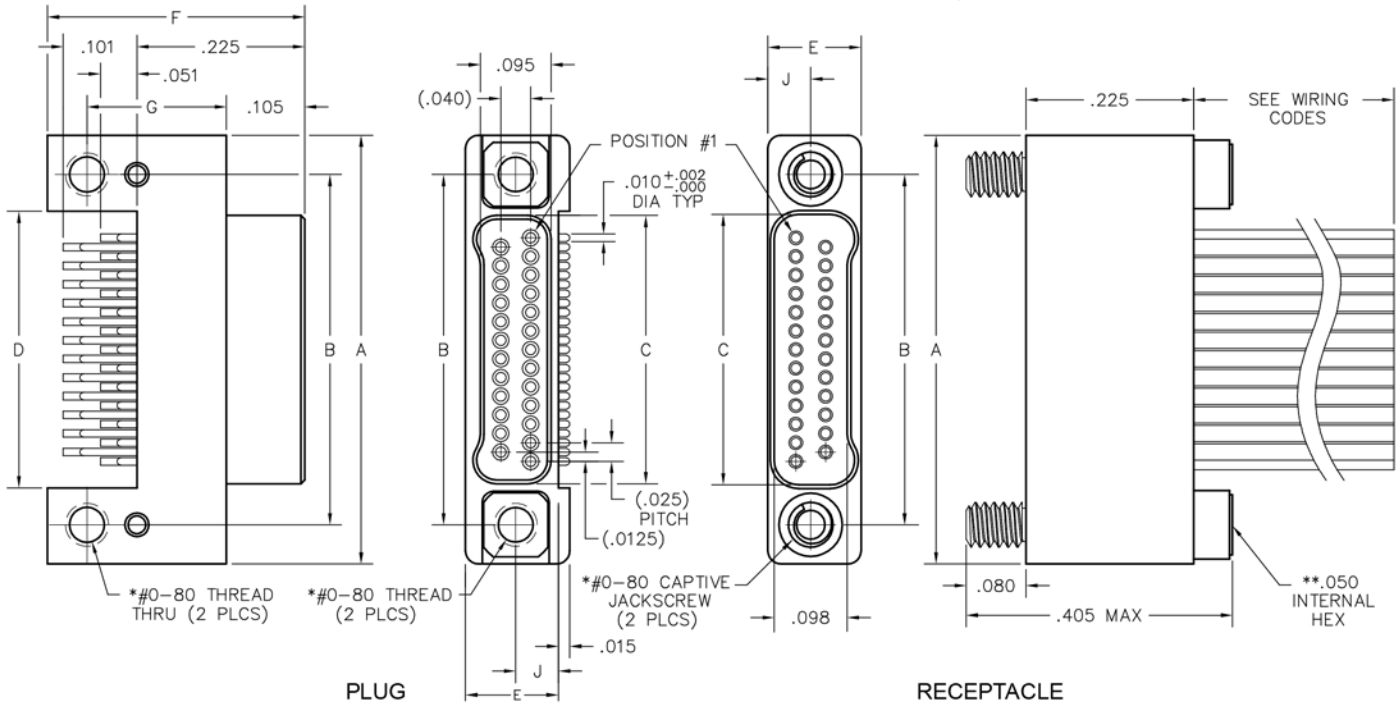
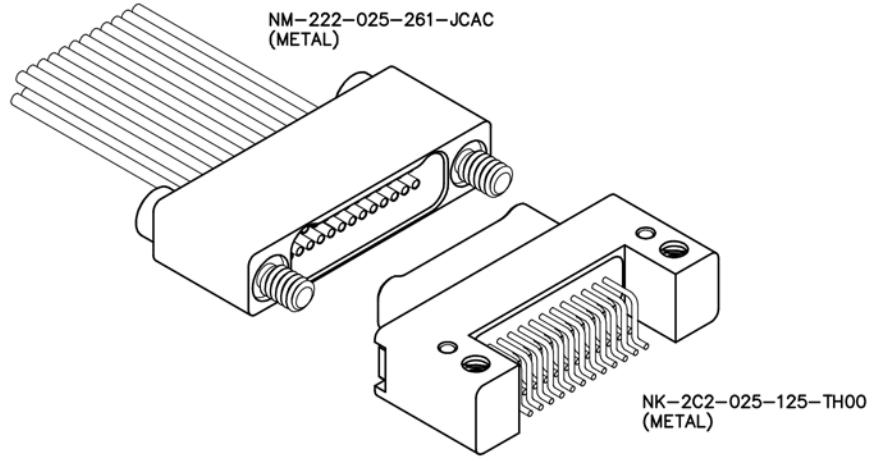
= Option not ROHS compliant

2 · ROW Cable to Board Horizontal SMT

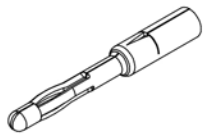
.025"

NM, NK

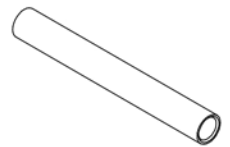
9 thru 91 Contacts



SIZE	A	B	C		D	E	F	G	J	*HARDWARE
			PLUG	RCPT						
9	.375	.270	.160	.163	.170					
15	.450	.345	.235	.238	.245					
21	.525	.420	.310	.313	.320					
25	.575	.470	.360	.363	.370					
31	.650	.545	.435	.438	.445	.125	.345	.187	.0575	#0-80 THREAD
37	.725	.620	.510	.513	.520					
51	.900	.795	.685	.688	.695					
65	1.075	.970	.860	.863	.870					
69	1.125	1.020	.910	.913	.920					
85	1.377	1.246	1.110	1.113	1.120	.150	.375	.205	.0700	#2-56 THREAD
91	1.452	1.321	1.185	1.188	1.195					



PIN CONTACT
3 TINE SPRING MEMBER, CRIMP



SOCKET CONTACT
DRAWN TUBE, CRIMP

* = #2-56 UNC THREAD ON 85 POSITION CONNECTORS.
 ** = 1/16" HEX ON 85 POSITION CONNECTORS. HEX MEASUREMENTS
 TAKEN ACROSS THE FLATS.



PLUG: NK-2C2-025-125-TH00
 RECEPTACLE: NM-222-025-261-JCAC
 XX-XXX-XXX-XXX-XXXX

PLUG RECEPTACLE
SERIES

NK .025" Metal PC Board Mounted Connector | NM .025" Metal I/O Connector

BODY

2 2-Row | 2 2-Row

BODY STYLE:
 C Plug, horizontal mount SMT | BODY STYLE:
 2 Receptacle, straight
 6 Receptacle, straight, with factory installed backshell (See page NA-3)

BODY MATERIAL:
 2 Liquid Crystal Polymer w/ electroless nickel shell | BODY MATERIAL:
 2 Liquid Crystal Polymer w/ electroless nickel shell
 3 Liquid Crystal Polymer w/ electrodeposited cadmium shell | 3 Liquid Crystal Polymer w/ electrodeposited cadmium shell
 4 Liquid Crystal Polymer w/ stainless steel shell | 4 Liquid Crystal Polymer w/ stainless steel shell ***
 5 Liquid Crystal Polymer w/ titanium shell | 5 Liquid Crystal Polymer w/ titanium shell ***

SIZE

XXX Number of contacts (009, 015, 021, 025, 031, 037, 051, 065, 069, 085 or 091) | XXX Number of contacts (009, 015, 021, 025, 031, 037, 051, 065, 069, 085 or 091)

CONTACTS

TYPE CONTACTS/TERMINATIONS:
 12 Pin, SMT | TYPE CONTACTS/TERMINATIONS:
 26 Socket, straight, crimped wire

PLATING OPTIONS:
 5 50 u" Au contacts; Sn/Pb alloy terminations | PLATING OPTIONS:
 1 50 u" Au contacts
 8 50 u" Au contacts; Tin plated terminations

HARDWARE

STYLE OF HARDWARE:
 00 None | STYLE OF HARDWARE:
 00 None ***
 TH Threaded hole, #0-80 UNF* ** | JC Turning jackscrews, captivated #0-80 UNF*

WIRING OPTIONS:
 00 None | WIRING OPTIONS:
 XX See wiring codes, Page NA-2

* = #2-56 UNC thread on 85, 91 position connectors
 .050 hex key (#0-80 thread)
 1/16" hex key (#2-56 thread)
 Recommended torque value 1.0 inch-lbs. max. (#0-80 thread)
 Recommended torque value 2.0 inch-lbs. max. (#2-56 thread)
 Ball end hex wrench not recommended
 Hex wrench key/bit conforming to the requirements of ASME / ANSI-B-18.3 is recommended.
 .050" hex L-key long arm wrench - order AirBorn p/n CDG14148.
 1/16" hex L-key long arm wrench - order AirBorn p/n CDG14160.
 ** = Threaded hole tapped directly into stainless steel and titanium shells, aluminum shells have stainless steel inserts (as shown on previous page).
 *** = Not available option if specifying factory installed backshell

= Option not RoHS compliant



PLUG: NM-212-025-161-JCAC
RECEPTACLE: NK-2D2-025-225-TH00
 XX-XXX-XXX-XXX-XXXX

PLUG		RECEPTACLE	
SERIES			
NM .025" Metal I/O Connector		NK .025" Metal PC Board Mounted Connector	

BODY			
2	2-Row	2	2-Row
BODY STYLE: 1 Plug, straight 5 Plug, straight, with factory installed backshell (See page NA-3)		BODY STYLE: D Receptacle, horizontal mount SMT	
BODY MATERIAL: 2 Liquid Crystal Polymer w/ electroless nickel shell 3 Liquid Crystal Polymer w/ electrodeposited cadmium shell <input checked="" type="checkbox"/> 4 Liquid Crystal Polymer w/ stainless steel shell *** 5 Liquid Crystal Polymer w/ titanium shell ***		BODY MATERIAL: 2 Liquid Crystal Polymer w/ electroless nickel shell 3 Liquid Crystal Polymer w/ electrodeposited cadmium shell <input checked="" type="checkbox"/> 4 Liquid Crystal Polymer w/ stainless steel shell 5 Liquid Crystal Polymer w/ titanium shell	

SIZE	
XXX Number of contacts (009, 015, 021, 025, 031, 037, 051, 065, 069, 085 or 091)	XXX Number of contacts (009, 015, 021, 025, 031, 037, 051, 065, 069, 085 or 091)

CONTACTS	
TYPE CONTACTS/TERMINATIONS: 16 Pin, straight, crimped wire	TYPE CONTACTS/TERMINATIONS: 22 Socket, SMT
PLATING OPTIONS: 1 50 u" Au contacts	PLATING OPTIONS: 5 50 u" Au contacts; Sn/Pb alloy terminations <input checked="" type="checkbox"/> 8 50 u" Au contacts; Tin plated terminations

HARDWARE	
STYLE OF HARDWARE: 00 None *** JC Turning jackscrews, captivated #0-80 UNF*	STYLE OF HARDWARE: 00 None TH Threaded hole, #0-80 UNF* **
WIRING OPTIONS: XX See wiring codes, Page NA-2	WIRING OPTIONS: 00 None

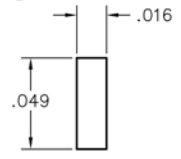
* = #2-56 UNC thread on 85, 91 position connectors
 .050 hex key (#0-80 thread)
 1/16" hex key (#2-56 thread)
 Recommended torque value 1.0 inch-lbs. max. (#0-80 thread)
 Recommended torque value 2.0 inch-lbs. max. (#2-56 thread)
 Ball end hex wrench not recommended
 Hex wrench key/bit conforming to the requirements of ASME / ANSI-B-18.3 is recommended.
 .050" hex L-key long arm wrench - order AirBorn p/n CDG14148.
 1/16" hex L-key long arm wrench - order AirBorn p/n CDG14160.
 ** = Threaded hole tapped directly into stainless steel and titanium shells, aluminum shells have stainless steel inserts (as shown on previous page).
 *** = Not available option if specifying factory installed backshell

= Option not RoHS compliant

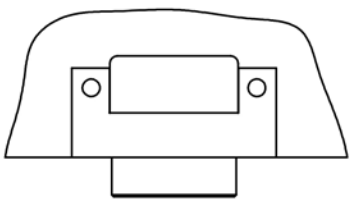
Recommended PC Board Layout

Horizontal SMT Plug
FOR REFERENCE ONLY

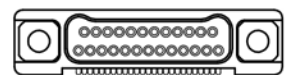
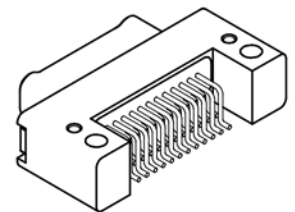
No solder mask allowed
within connector outline



FOOTPRINT / PAD CONFIGURATION



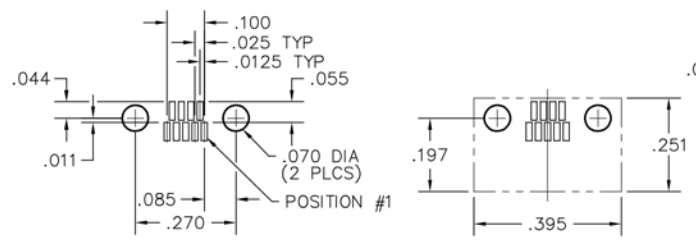
PC BOARD LAYOUT COMPONENT SIDE



CONNECTOR MATING FACE

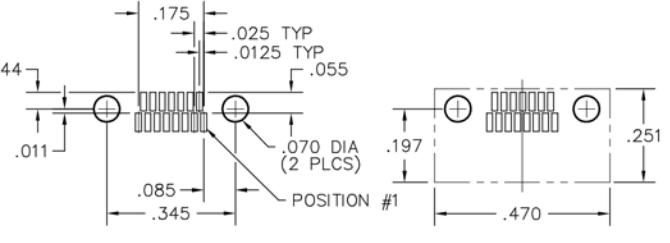
9 POSITION

9 0000 6
5 00000 1



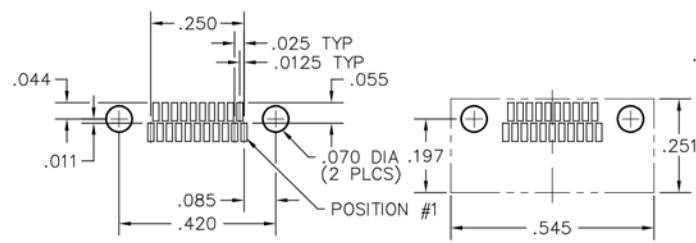
15 POSITION

15 000000 9
8 0000000 1



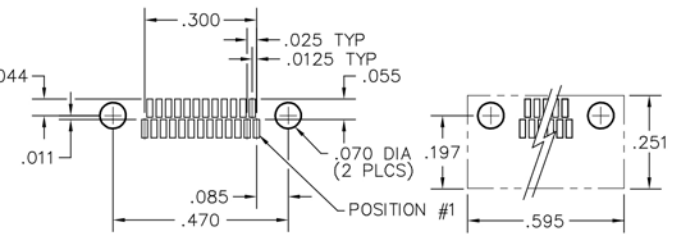
21 POSITION

21 00000000 12
11 000000000 1



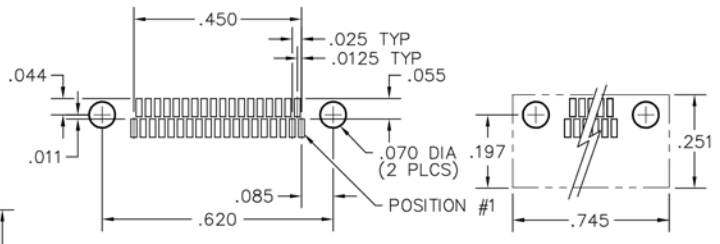
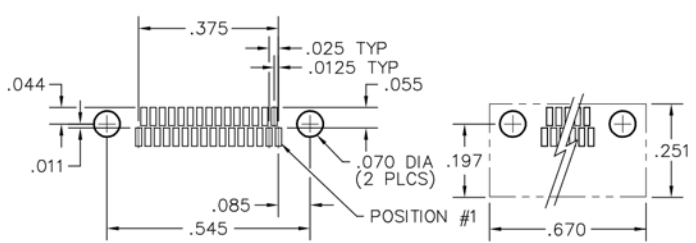
25 POSITION

25 0000000000 14
13 00000000000 1



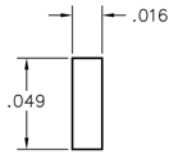
31 POSITION

31 000000000000 17
16 0000000000000 1

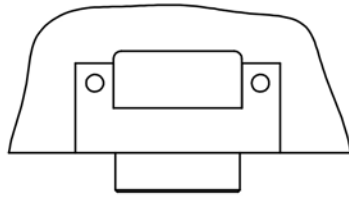


37 POSITION

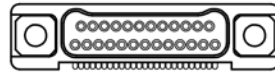
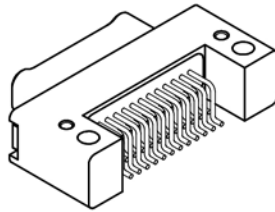
37 00000000000000 20
19 000000000000000 1



FOOTPRINT / PAD CONFIGURATION



PC BOARD LAYOUT COMPONENT SIDE



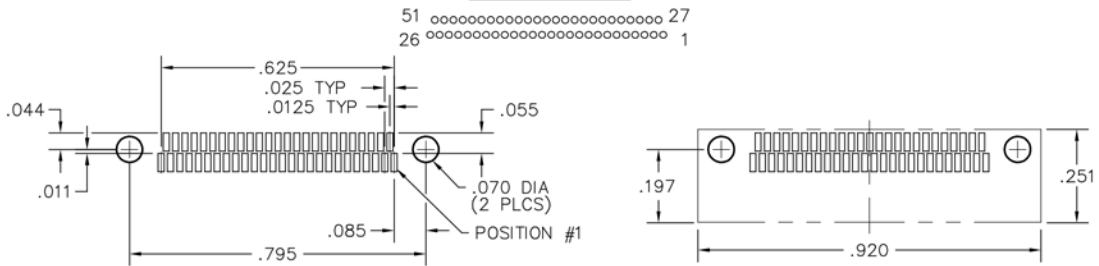
CONNECTOR MATING FACE

Recommended PC Board Layout

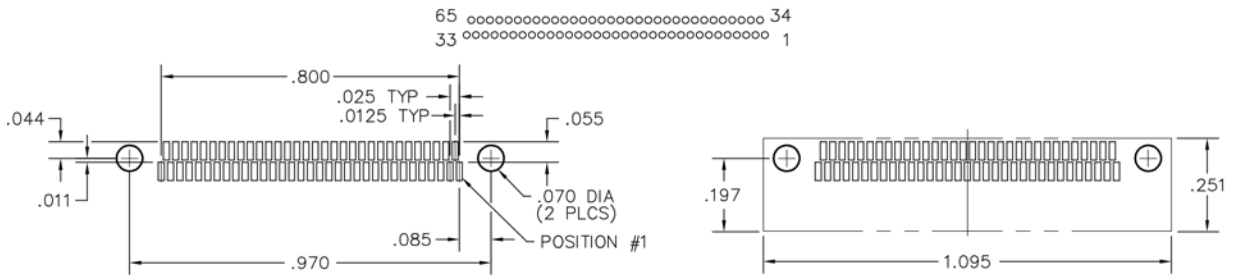
Horizontal SMT Plug
 .020 & .040 Lead Envelopes
 FOR REFERENCE ONLY

No solder mask allowed within connector outline

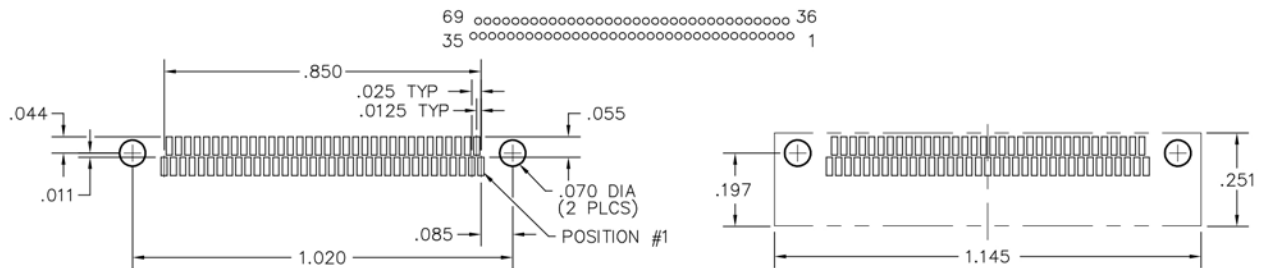
51 POSITION



65 POSITION



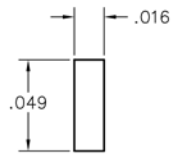
69 POSITION



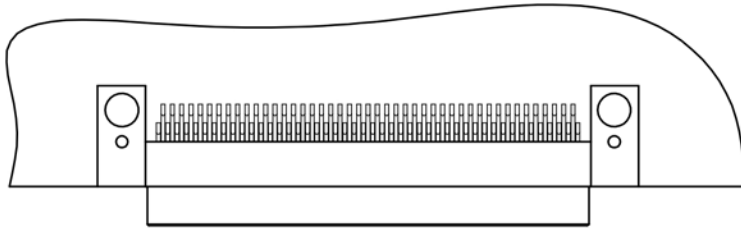
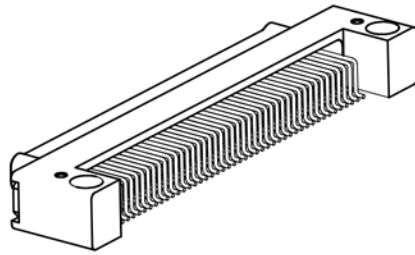
Recommended PC Board Layout

Horizontal SMT Plug
 .020 & .040 Lead Envelopes
 FOR REFERENCE ONLY

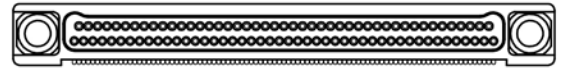
No solder mask allowed
 within connector outline



FOOTPRINT / PAD CONFIGURATION

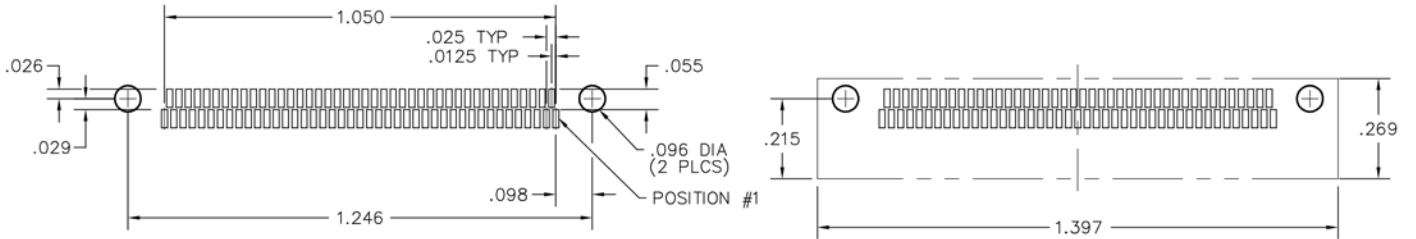
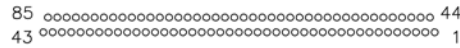


COMPONENT SIDE

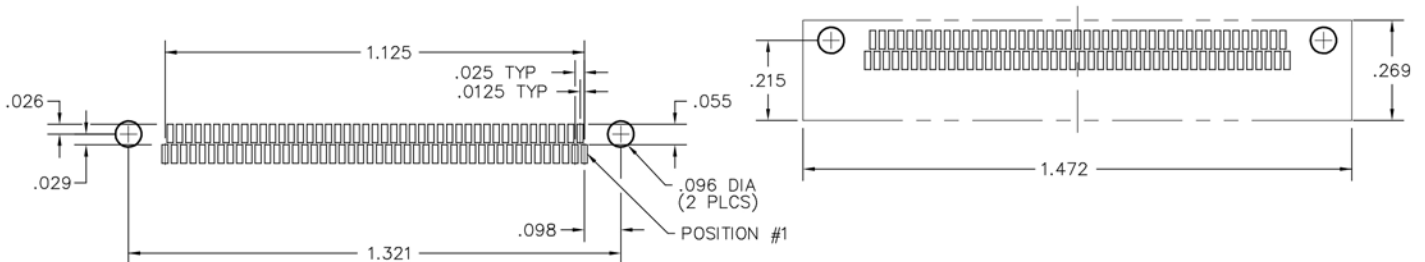
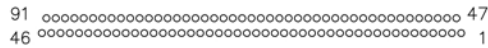


CONNECTOR MATING FACE

85 POSITION



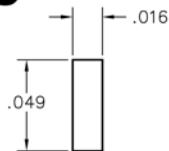
91 POSITION



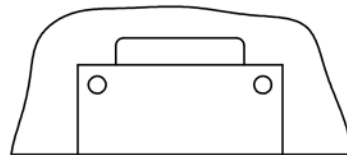
Recommended PC Board Layout

Horizontal SMT Receptacle
FOR REFERENCE ONLY

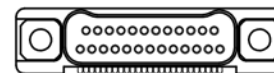
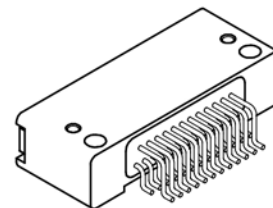
No solder mask allowed
within connector outline



FOOTPRINT / PAD CONFIGURATION



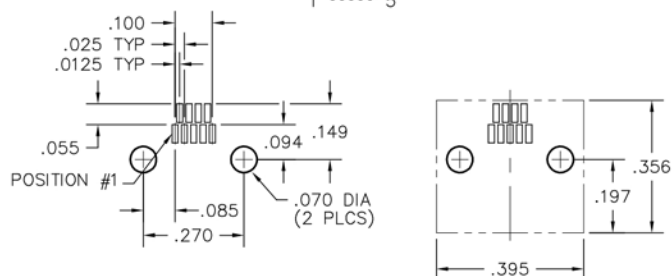
PC BOARD LAYOUT COMPONENT SIDE



CONNECTOR MATING FACE

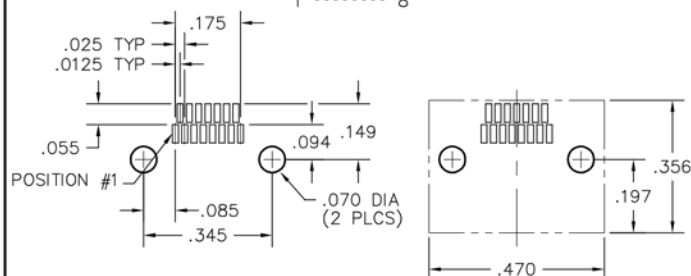
9 POSITION

6 0000 9
1 00000 5



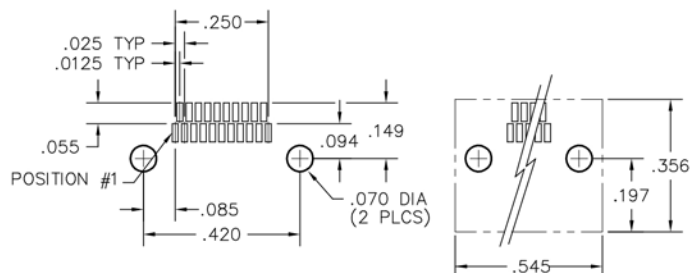
15 POSITION

9 000000 15
1 0000000 8



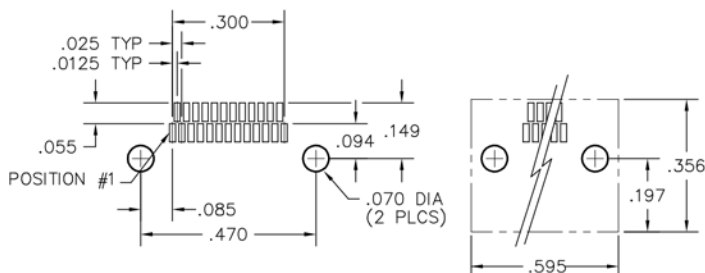
21 POSITION

12 00000000 21
1 000000000 11



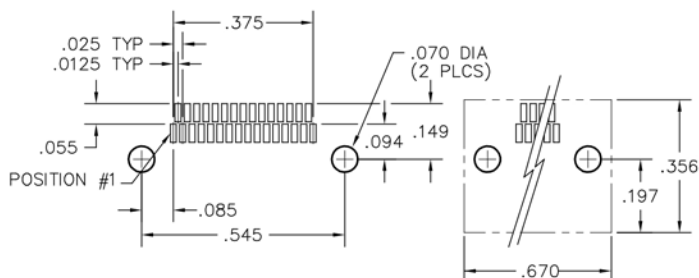
25 POSITION

14 0000000000 25
1 00000000000 13



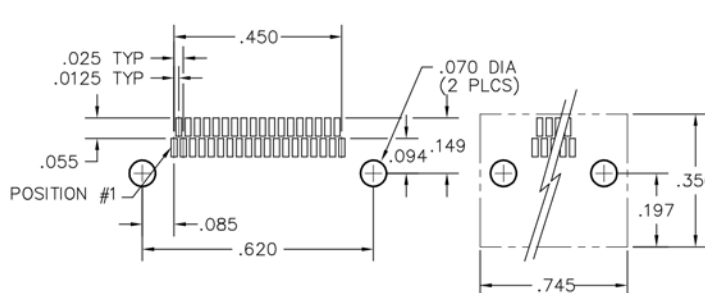
31 POSITION

17 000000000000 31
1 0000000000000 16



37 POSITION

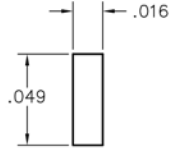
20 00000000000000 37
1 000000000000000 19



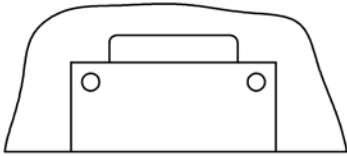
Recommended PC Board Layout

Horizontal SMT Receptacle
FOR REFERENCE ONLY

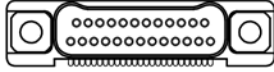
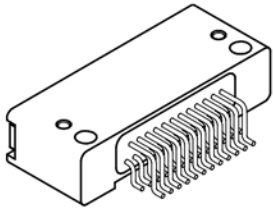
No solder mask allowed
within connector outline



FOOTPRINT / PAD CONFIGURATION

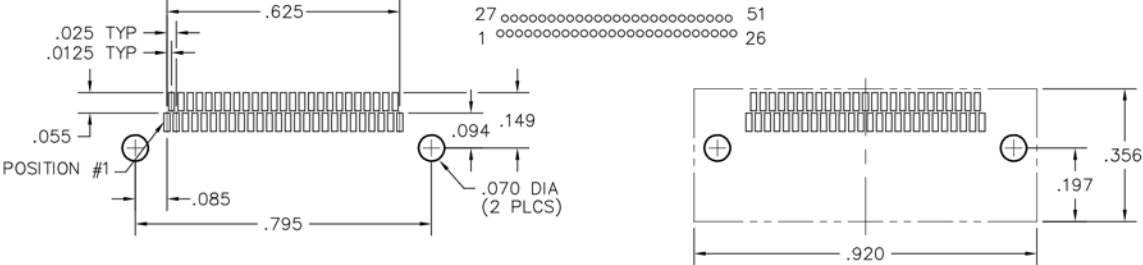


PC BOARD LAYOUT
COMPONENT SIDE

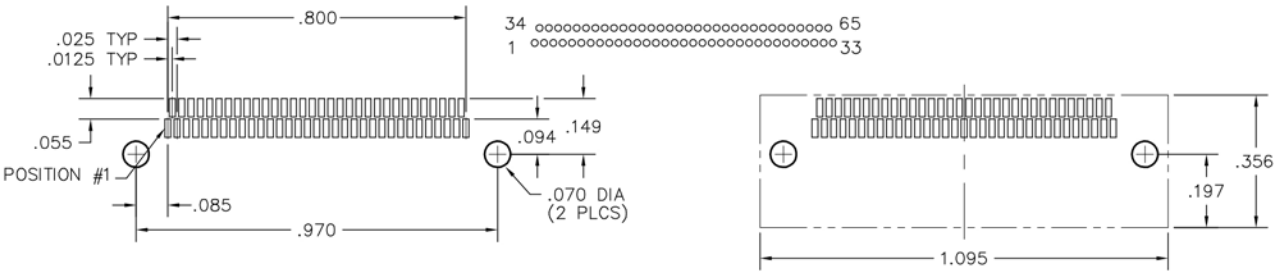


CONNECTOR MATING FACE

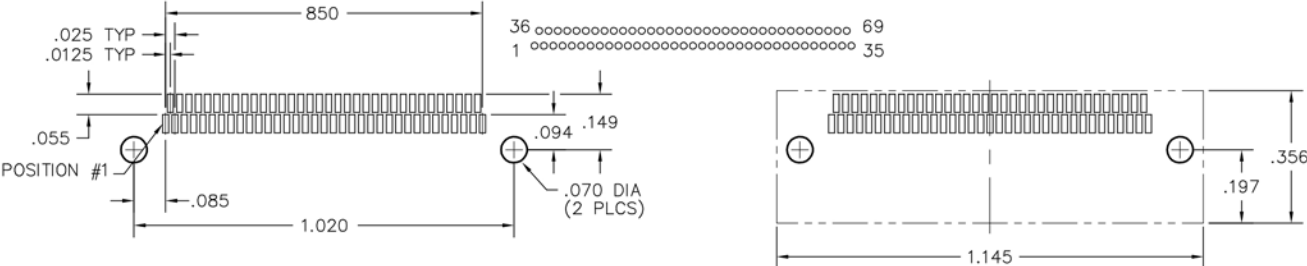
51 POSITION

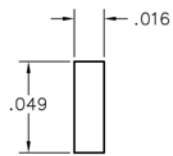


65 POSITION

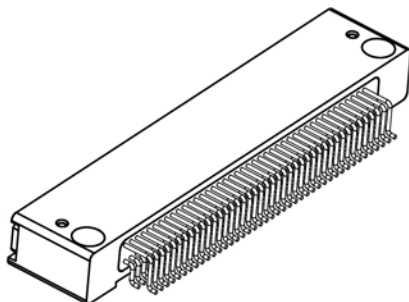


69 POSITION





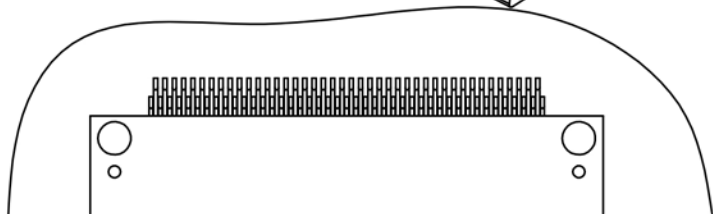
FOOTPRINT / PAD CONFIGURATION



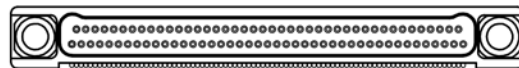
Recommended PC Board Layout

Horizontal SMT Receptacle
FOR REFERENCE ONLY

No solder mask allowed
within connector outline

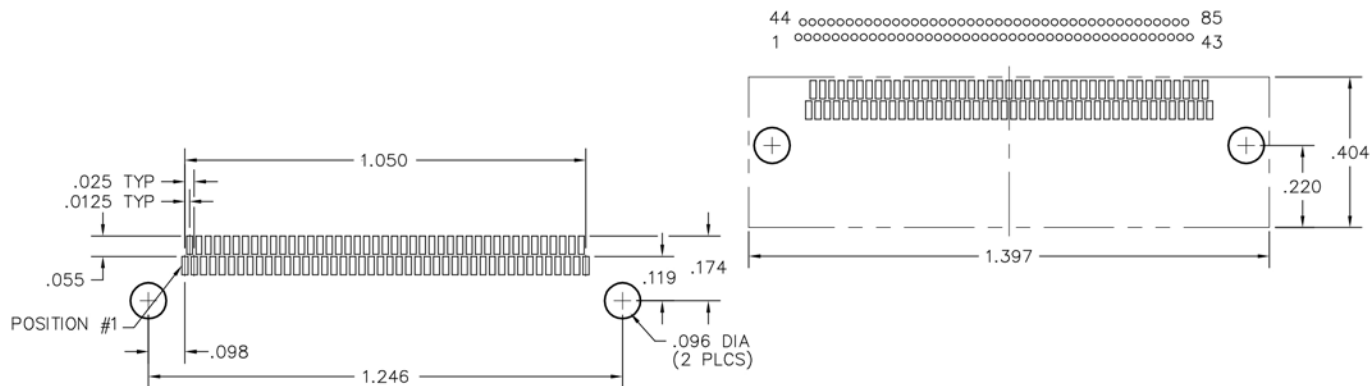


PC BOARD LAYOUT
COMPONENT SIDE

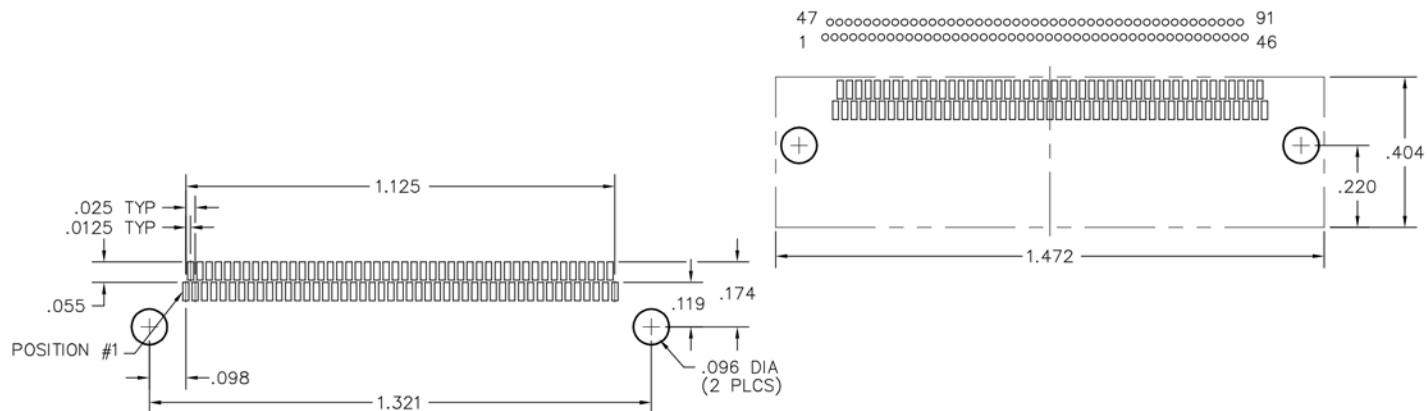


CONNECTOR MATING FACE

85 POSITION



91 POSITION

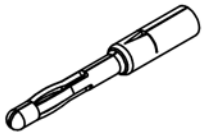
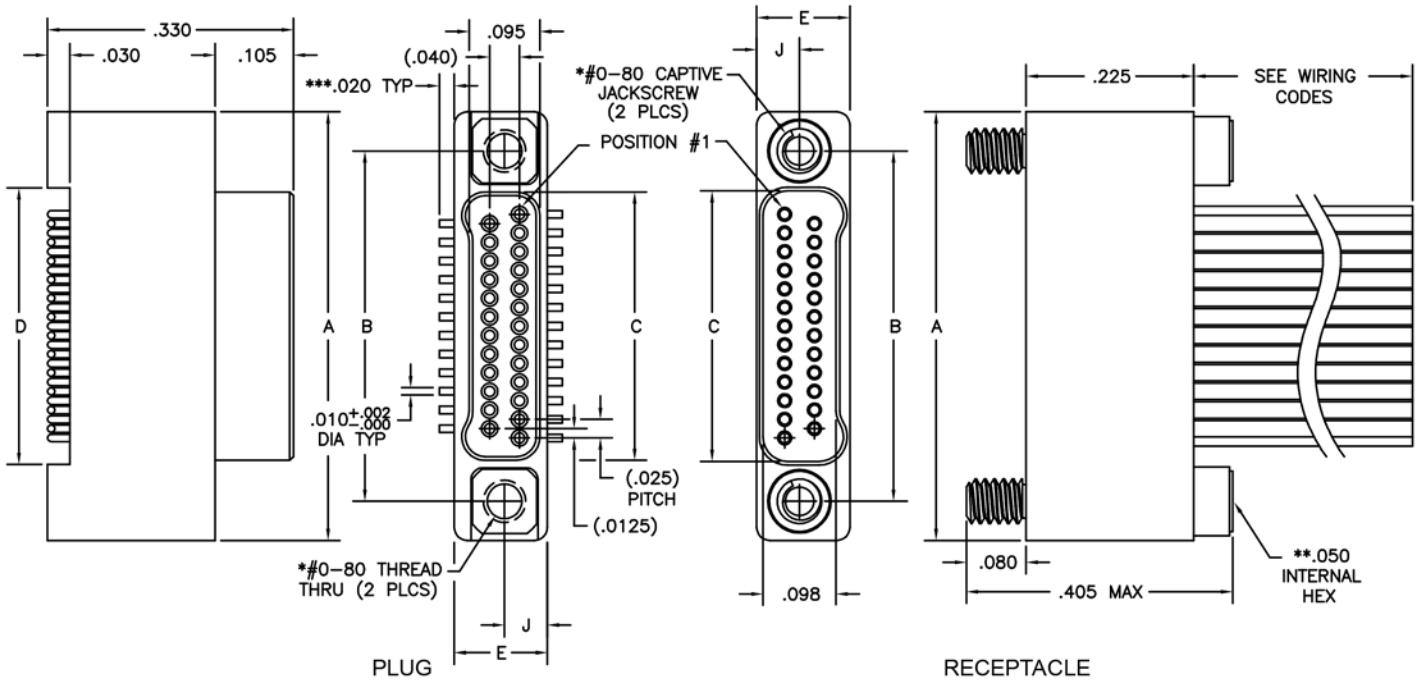
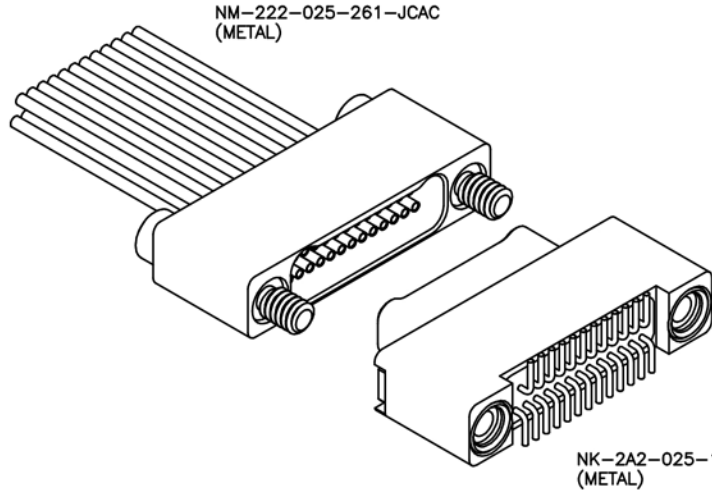


2 · ROW Cable to Board Vertical SMT

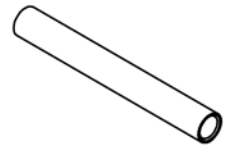
.025"

NM, NK

9 thru 91 Contacts



PIN CONTACT
3 TINE SPRING MEMBER, CRIMP



SOCKET CONTACT
DRAWN TUBE, CRIMP

SIZE	A	B	C		D	E	J	*HARDWARE
			PLUG	RCPT				
9	.375	.270	.160	.163	.170			
15	.450	.345	.235	.238	.245			
21	.525	.420	.310	.313	.320			
25	.575	.470	.360	.363	.370			
31	.650	.545	.435	.438	.445	.125	.0575	#0-80 THREAD
37	.725	.620	.510	.513	.520			
51	.900	.795	.685	.688	.695			
65	1.075	.970	.860	.863	.870			
69	1.125	1.020	.910	.913	.920			
85	1.377	1.246	1.110	1.113	1.120	.150	.0700	#2-56 THREAD
91	1.452	1.321	1.185	1.188	1.195			

* = #2-56 UNC THREAD ON 85 AND 91 POSITION CONNECTORS.
 ** = 1/16" HEX ON 85 POSITION CONNECTORS. HEX MEASUREMENT TAKEN ACROSS THE FLATS.
 *** = DIMENSION CHANGES TO .040" FOR "010" OPTION. SEE PAGE N-48.



PLUG: NK-2A2-025-125-TH00
RECEPTACLE: NM-222-025-261-JCAC
 XX-XXX-XXX-XXX-XXXX-XXX

PLUG	RECEPTACLE
SERIES	
NK .025" Metal PC Board Mounted Connector	NM .025" Metal I/O Connector

BODY	
2 2-Row	2 2-Row
BODY STYLE: A Plug, vertical mount SMT	BODY STYLE: 2 Receptacle, straight 6 Receptacle, straight, with factory installed backshell (See page NA-3)

BODY MATERIAL: 2 Liquid Crystal Polymer w/ electroless nickel shell 3 Liquid Crystal Polymer w/ electrodeposited cadmium shell <input checked="" type="checkbox"/> 4 Liquid Crystal Polymer w/ stainless steel shell 5 Liquid Crystal Polymer w/ titanium shell	BODY MATERIAL: 2 Liquid Crystal Polymer w/ electroless nickel shell 3 Liquid Crystal Polymer w/ electrodeposited cadmium shell <input checked="" type="checkbox"/> 4 Liquid Crystal Polymer w/ stainless steel shell *** 5 Liquid Crystal Polymer w/ titanium shell ***
--	--

SIZE	
XXX Number of contacts (009, 015, 021, 025, 031, 037, 051, 065, 069, 085 or 091)	XXX Number of contacts (009, 015, 021, 025, 031, 037, 051, 065, 069, 085 or 091)

CONTACTS	
TYPE CONTACTS/TERMINATIONS: 12 Pin, SMT (.020 lead envelope)	TYPE CONTACTS/TERMINATIONS: 26 Socket, straight, crimped wire
PLATING OPTIONS: 5 50 u" Au contacts; Sn/Pb alloy terminations <input checked="" type="checkbox"/> 8 50 u" Au contacts; Tin plated terminations	PLATING OPTIONS: 1 50 u" Au contacts

HARDWARE	
STYLE OF HARDWARE: 00 None TH Threaded hole, #0-80 UNF* **	STYLE OF HARDWARE: 00 None *** JC Turning jackscrews, captivated #0-80 UNF*
WIRING OPTIONS: 00 None	WIRING OPTIONS: XX See wiring codes, Page NA-2

OPTIONS	
010 .040 lead envelope	

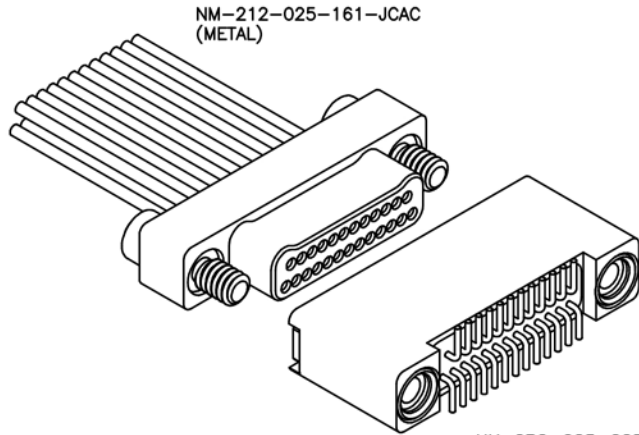
* = #2-56 UNC thread on 85 and 91 position connectors
 .050 hex key (#0-80 thread)
 1/16" hex key (#2-56 thread)
 Recommended torque value 1.0 inch-lbs. max. (#0-80 thread)
 Recommended torque value 2.0 inch-lbs. max. (#2-56 thread)
 Ball end hex wrench not recommended
 Hex wrench key/bit conforming to the requirements of ASME / ANSI-B-18.3 is recommended.
 .050" hex L-key long arm wrench - order AirBorn p/n CDG14148.
 1/16" hex L-key long arm wrench - order AirBorn p/n CDG14160.
 ** = Threaded hole tapped directly into stainless steel and titanium shells, aluminum shells have stainless steel inserts (as shown on previous page).
 *** = Not available option if specifying factory installed backshell
 = Option not RoHS compliant

2 · ROW Cable to Board Vertical SMT

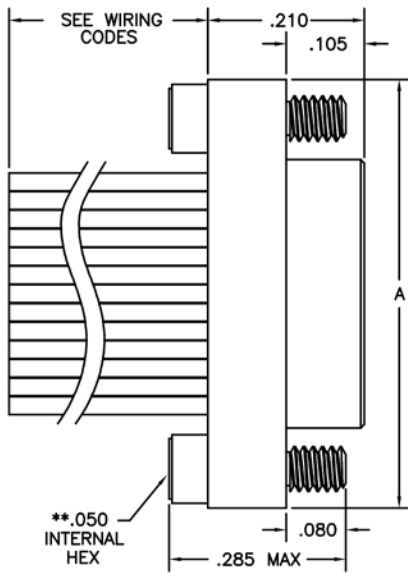
.025"

NM, NK

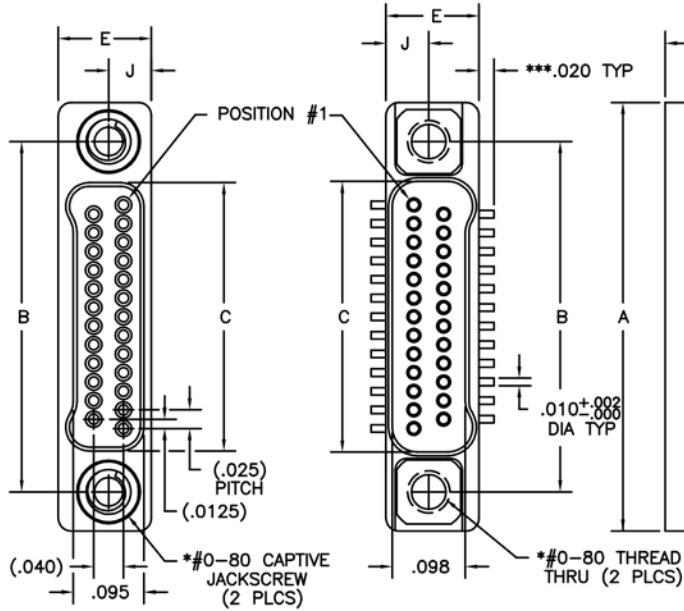
9 thru 91 Contacts



NK-2B2-025-225-TH00
(METAL)



PLUG



RECEPTACLE

SIZE	A	B	C		D	E	J	*HARDWARE
			PLUG	RCPT				
9	.375	.270	.160	.163	.170			
15	.450	.345	.235	.238	.245			
21	.525	.420	.310	.313	.320			
25	.575	.470	.360	.363	.370			
31	.650	.545	.435	.438	.445	.125	.0575	#0-80 THREAD
37	.725	.620	.510	.513	.520			
51	.900	.795	.685	.688	.695			
65	1.075	.970	.860	.863	.870			
69	1.125	1.020	.910	.913	.920			
85	1.377	1.246	1.110	1.113	1.120	.150	.0700	#2-56 THREAD
91	1.452	1.321	1.185	1.188	1.195			



* = #2-56 UNC THREAD ON 85 AND 91 POSITION CONNECTORS.
 ** = 1/16" HEX ON 85 POSITION CONNECTORS. HEX MEASUREMENT TAKEN ACROSS THE FLATS.
 *** = DIMENSION CHANGES TO .040" FOR "010" OPTION. SEE PAGE N-50.



PLUG: NM-212-025-161-JCAC
RECEPTACLE: NK-2B2-025-225-TH00
 XX-XXX-XXX-XXX-XXXX-XXX

PLUG		RECEPTACLE	
SERIES			
NM	.025" Metal I/O Connector	NK	.025" Metal PC Board Mounted Connector

BODY			
2	2-Row	2	2-Row
BODY STYLE:		BODY STYLE:	
1	Plug, straight	B	Receptacle, vertical mount SMT
5	Plug, straight, with factory installed backshell (See page NA-3)		

BODY MATERIAL:		BODY MATERIAL:	
2	Liquid Crystal Polymer w/ electroless nickel shell	2	Liquid Crystal Polymer w/ electroless nickel shell
3	Liquid Crystal Polymer w/ electrodeposited cadmium shell <input checked="" type="checkbox"/>	3	Liquid Crystal Polymer w/ electrodeposited cadmium shell <input checked="" type="checkbox"/>
4	Liquid Crystal Polymer w/ stainless steel shell ***	4	Liquid Crystal Polymer w/ stainless steel shell
5	Liquid Crystal Polymer w/ titanium shell ***	5	Liquid Crystal Polymer w/ titanium shell

SIZE		SIZE	
XXX	Number of contacts (009, 015, 021, 025, 031, 037, 051, 065, 069, 085 or 091)	XXX	Number of contacts (009, 015, 021, 025, 031, 037, 051, 065, 069, 085 or 091)

CONTACTS		CONTACTS	
TYPE CONTACTS/TERMINATIONS:		TYPE CONTACTS/TERMINATIONS:	
16	Pin, straight, crimped wire	22	Socket, SMT (.020 lead envelope)
PLATING OPTIONS:		PLATING OPTIONS:	
1	50 u" Au contacts	5	50 u" Au contacts; Sn/Pb alloy terminations <input checked="" type="checkbox"/>
		8	50 u" Au contacts; Tin plated terminations

HARDWARE		HARDWARE	
STYLE OF HARDWARE:		STYLE OF HARDWARE:	
00	None ***	00	None
JC	Turning jackscrews, captivated #0-80 UNF*	TH	Threaded hole, #0-80 UNF* **

WIRING OPTIONS:		WIRING OPTIONS:	
XX	See wiring codes, Page NA-2	00	None

OPTIONS	
010	.040 lead envelope

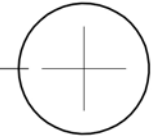
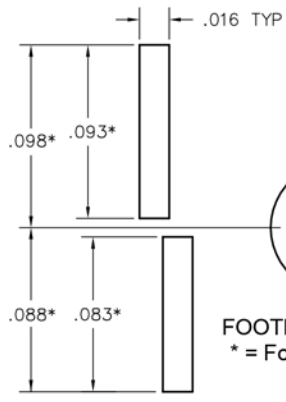
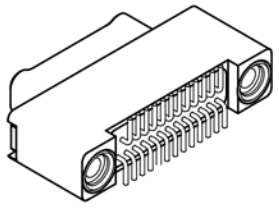
* = #2-56 UNC thread on 85 and 91 position connectors
 .050 hex key (#0-80 thread)
 1/16" hex key (#2-56 thread)
 Recommended torque value 1.0 inch-lbs. max. (#0-80 thread)
 Recommended torque value 2.0 inch-lbs. max. (#2-56 thread)
 Ball end hex wrench not recommended
 Hex wrench key/bit conforming to the requirements of ASME / ANSI-B-18.3 is recommended.
 .050" hex L-key long arm wrench - order AirBorn p/n CDG14148.
 1/16" hex L-key long arm wrench - order AirBorn p/n CDG14160.
 ** = Threaded hole tapped directly into stainless steel and titanium shells, aluminum shells have stainless steel inserts (as shown on previous page).
 *** = Not available option if specifying factory installed backshell
 = Option not RoHS compliant



Recommended PC Board Layout

Vertical SMT Plug
 .020 & .040 Lead Envelopes
 FOR REFERENCE ONLY

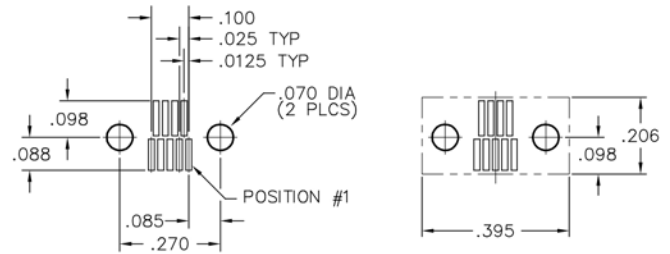
No solder mask allowed within connector outline



FOOTPRINT / PAD CONFIGURATION
 * = For .040" lead envelope, add .020" to noted dimensions

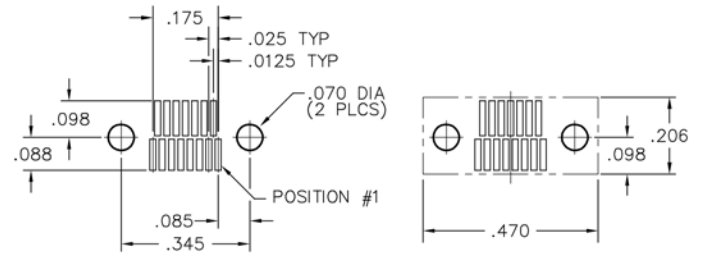
9 POSITION

9 0000 6
 5 0000 1



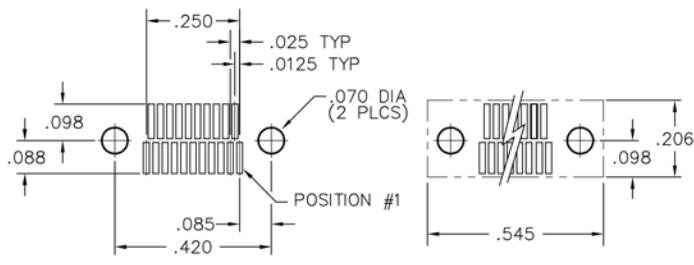
15 POSITION

15 000000 9
 8 000000 1



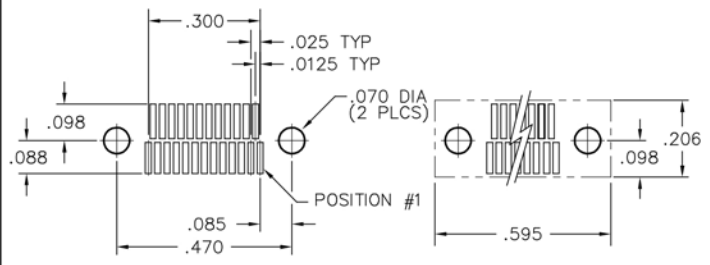
21 POSITION

21 00000000 12
 11 00000000 1



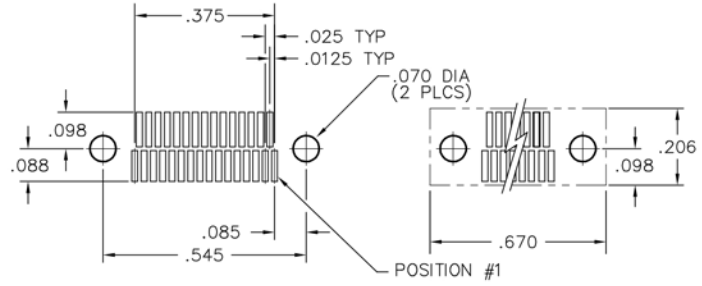
25 POSITION

25 0000000000 14
 13 0000000000 1



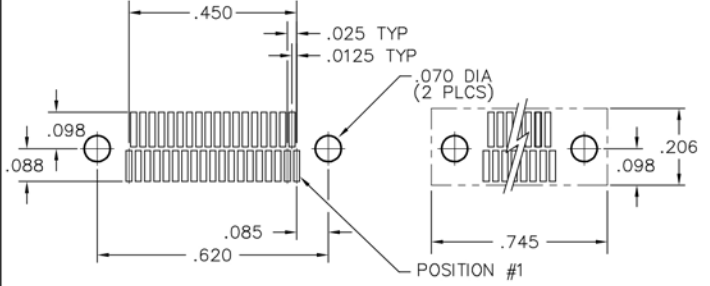
31 POSITION

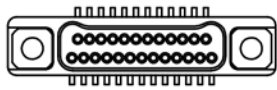
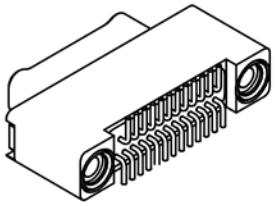
31 000000000000 17
 16 000000000000 1



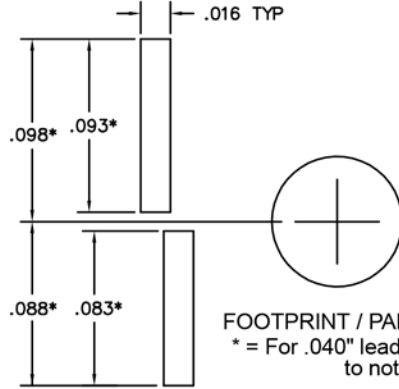
37 POSITION

37 00000000000000 20
 19 00000000000000 1





CONNECTOR MATING FACE



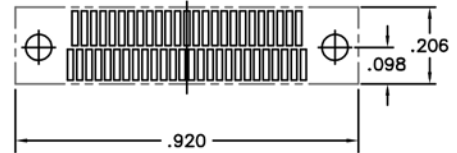
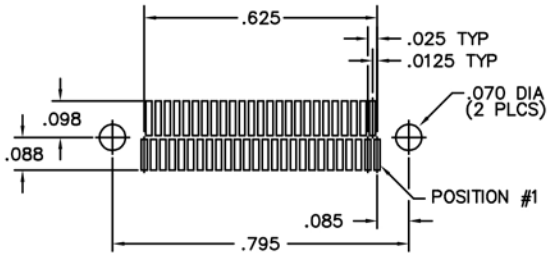
FOOTPRINT / PAD CONFIGURATION
 * = For .040" lead envelope, add .020" to noted dimensions

No solder mask allowed within connector outline

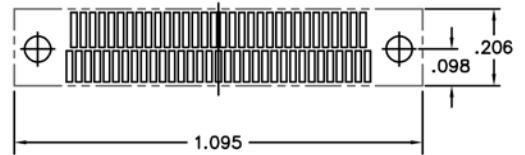
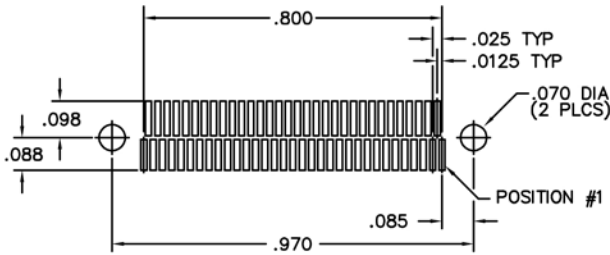
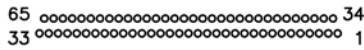
Recommended PC Board Layout

Vertical SMT Plug
 .020 & .040 Lead Envelopes
 FOR REFERENCE ONLY

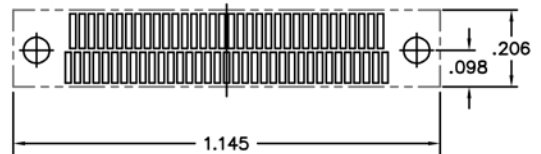
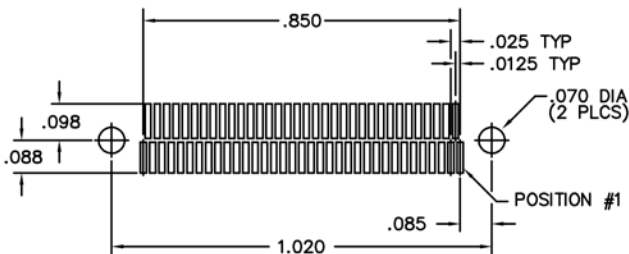
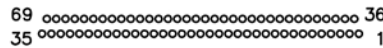
51 POSITION



65 POSITION



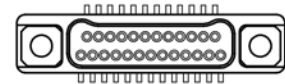
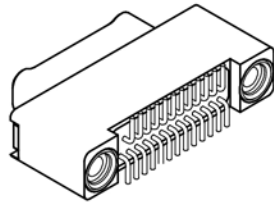
69 POSITION



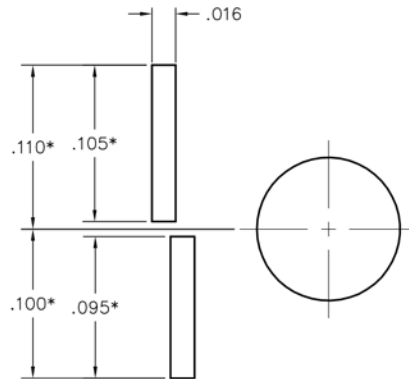
Recommended PC Board Layout

Vertical SMT Plug
 .020 & .040 Lead Envelopes
 FOR REFERENCE ONLY

No solder mask allowed
 within connector outline

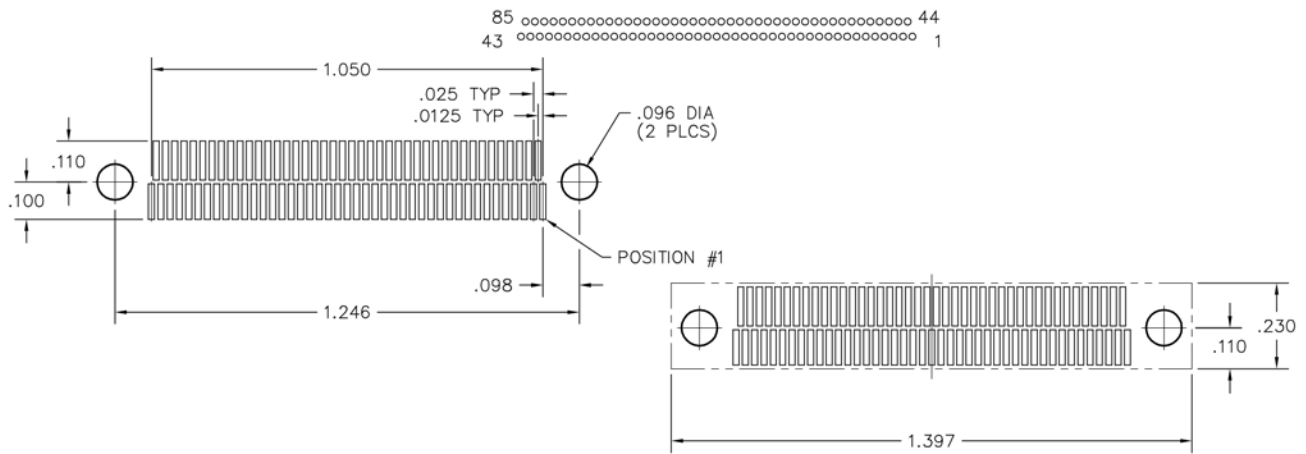


CONNECTOR MATING FACE

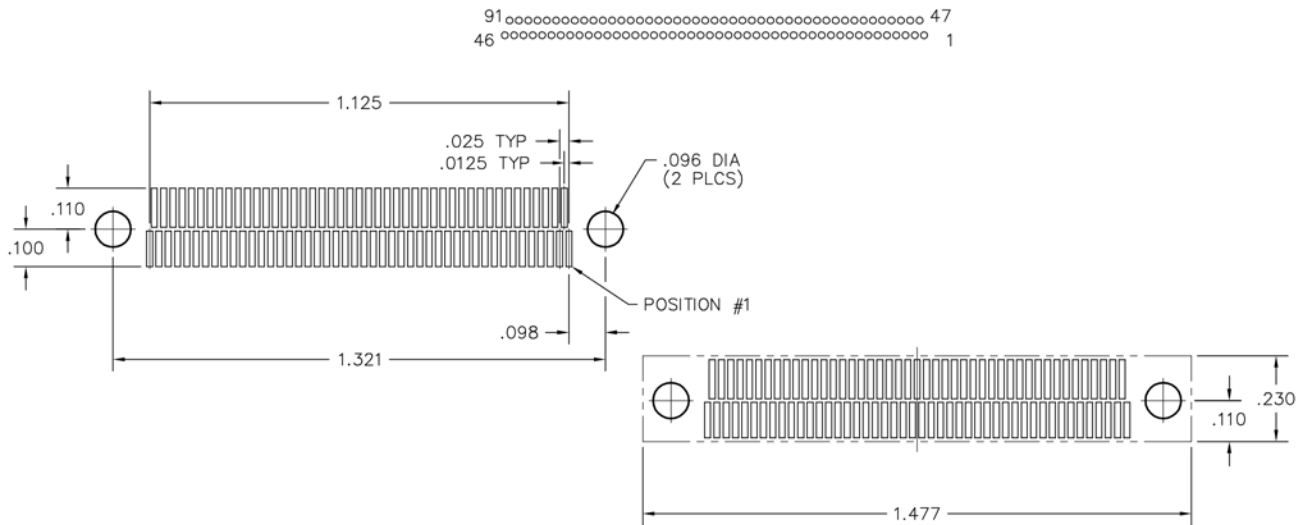


FOOTPRINT / PAD CONFIGURATION
 * = For .040" lead envelope, add .020" to noted dimensions

85 POSITION

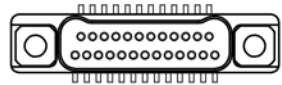
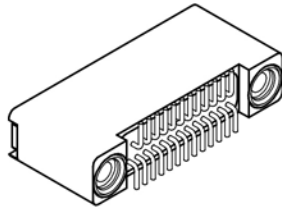


91 POSITION

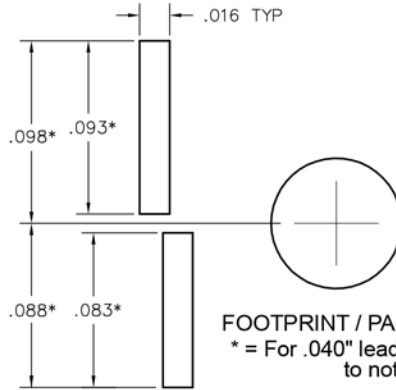


Recommended PCB Board Layout

Vertical SMT Receptacle
 .020 & .040 Lead Envelopes
 FOR REFERENCE ONLY
 CONNECTOR MATING FACE

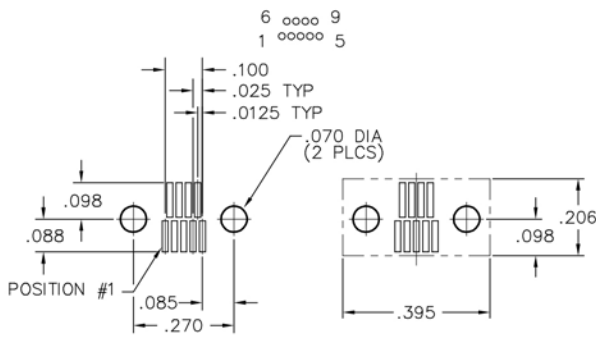


No solder mask allowed within connector outline

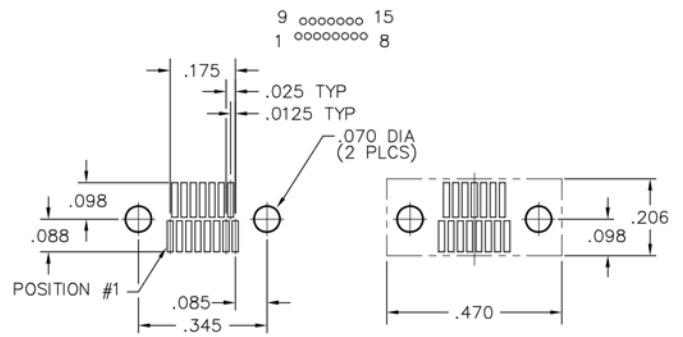


FOOTPRINT / PAD CONFIGURATION
 * = For .040" lead envelope, add .020" to noted dimensions

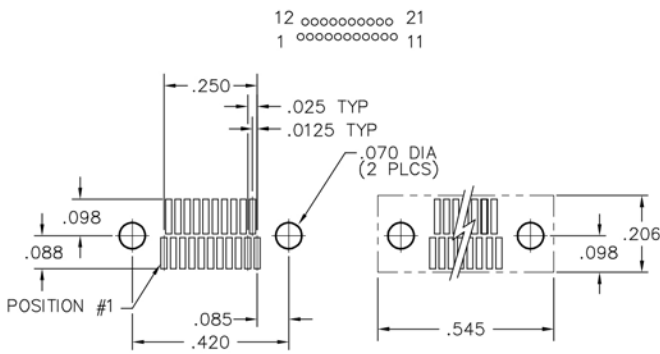
9 POSITION



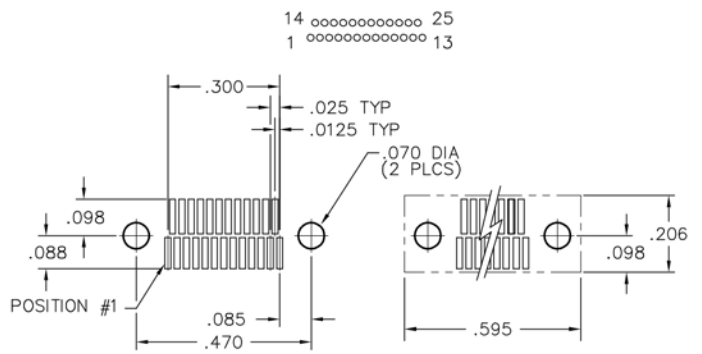
15 POSITION



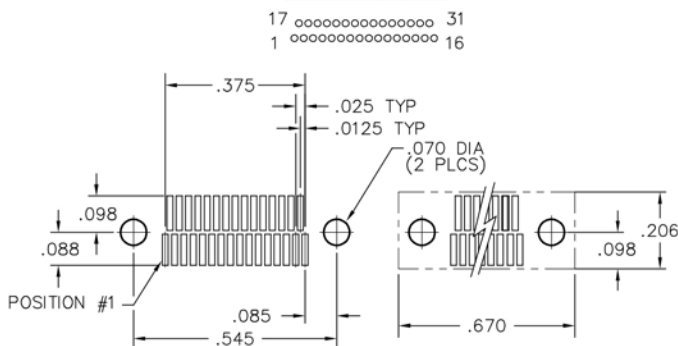
21 POSITION



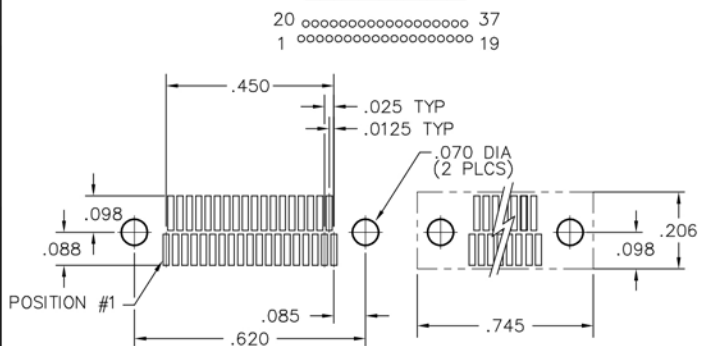
25 POSITION

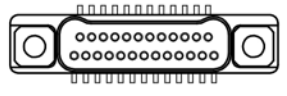
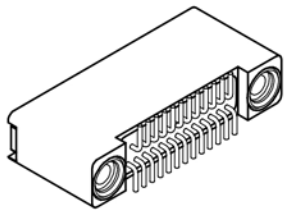


31 POSITION

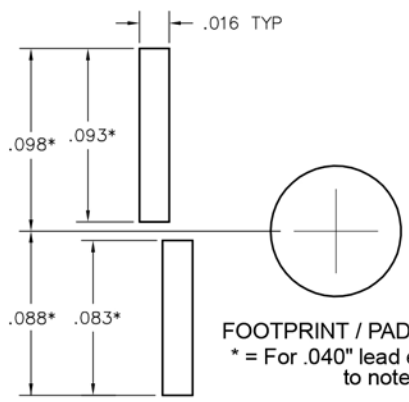


37 POSITION





CONNECTOR MATING FACE



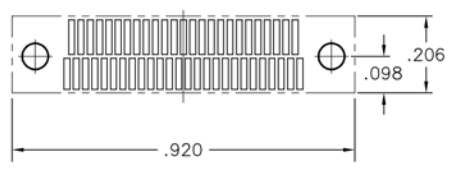
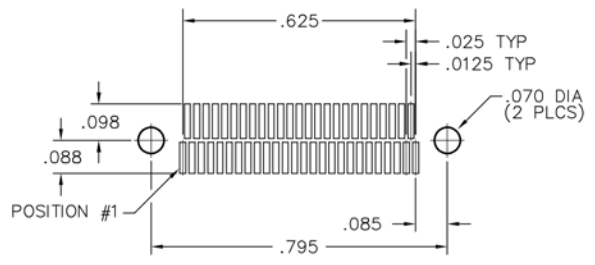
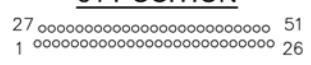
FOOTPRINT / PAD CONFIGURATION
 * = For .040" lead envelope, add .020" to noted dimensions

Recommended PC Board Layout

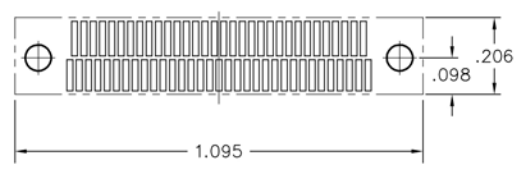
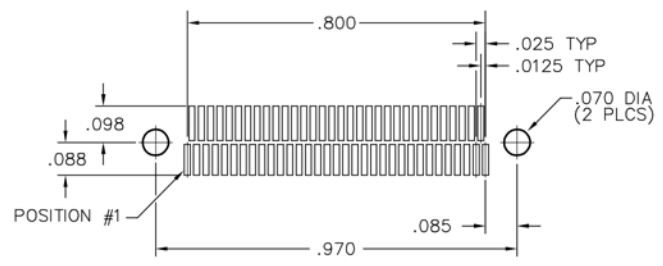
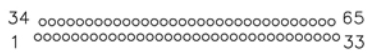
Vertical SMT Receptacle
 .020 & .040 Lead Envelopes
 FOR REFERENCE ONLY

No solder mask allowed within connector outline

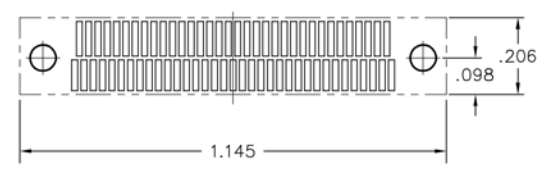
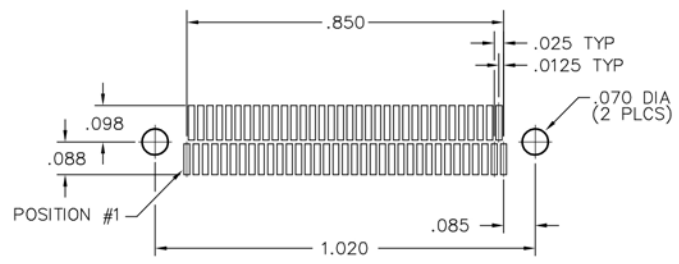
51 POSITION



65 POSITION



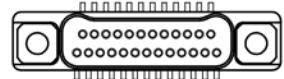
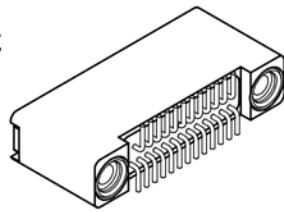
69 POSITION



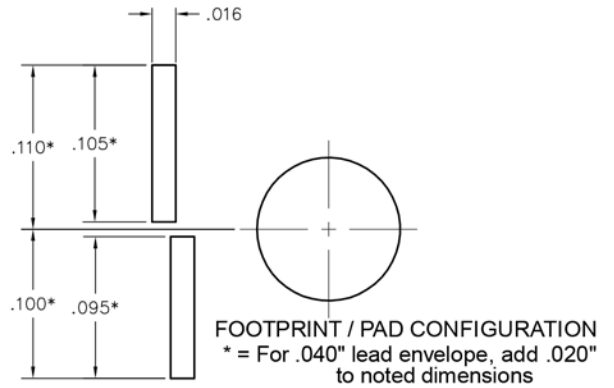
Recommended PC Board Layout

Vertical SMT Receptacle
 .020 & .040 Lead Envelopes
 FOR REFERENCE ONLY

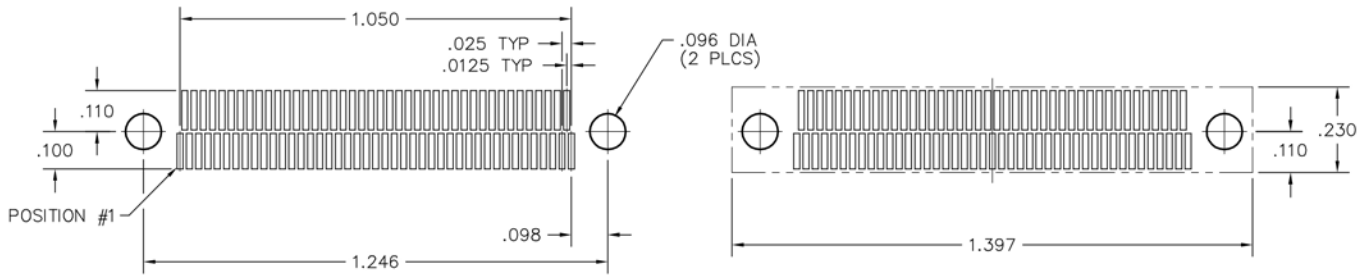
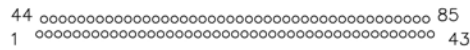
CONNECTOR MATING FACE



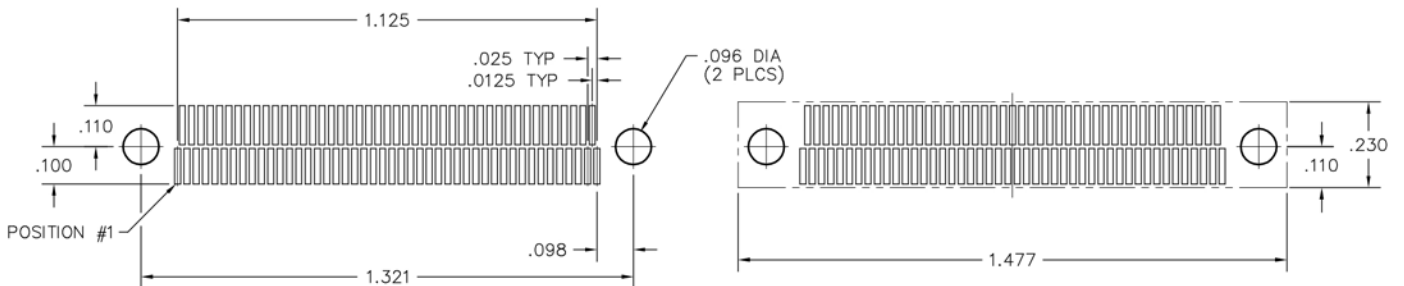
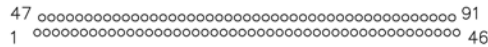
CONNECTOR MATING FACE



85 POSITION



91 POSITION



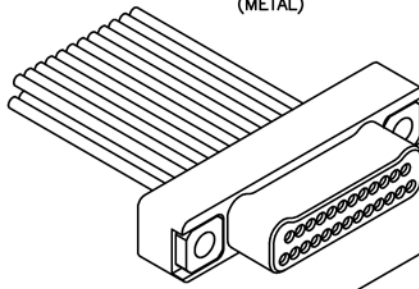
2 · ROW Cable to Vertical SMT w/ Mounting Ears

.025"

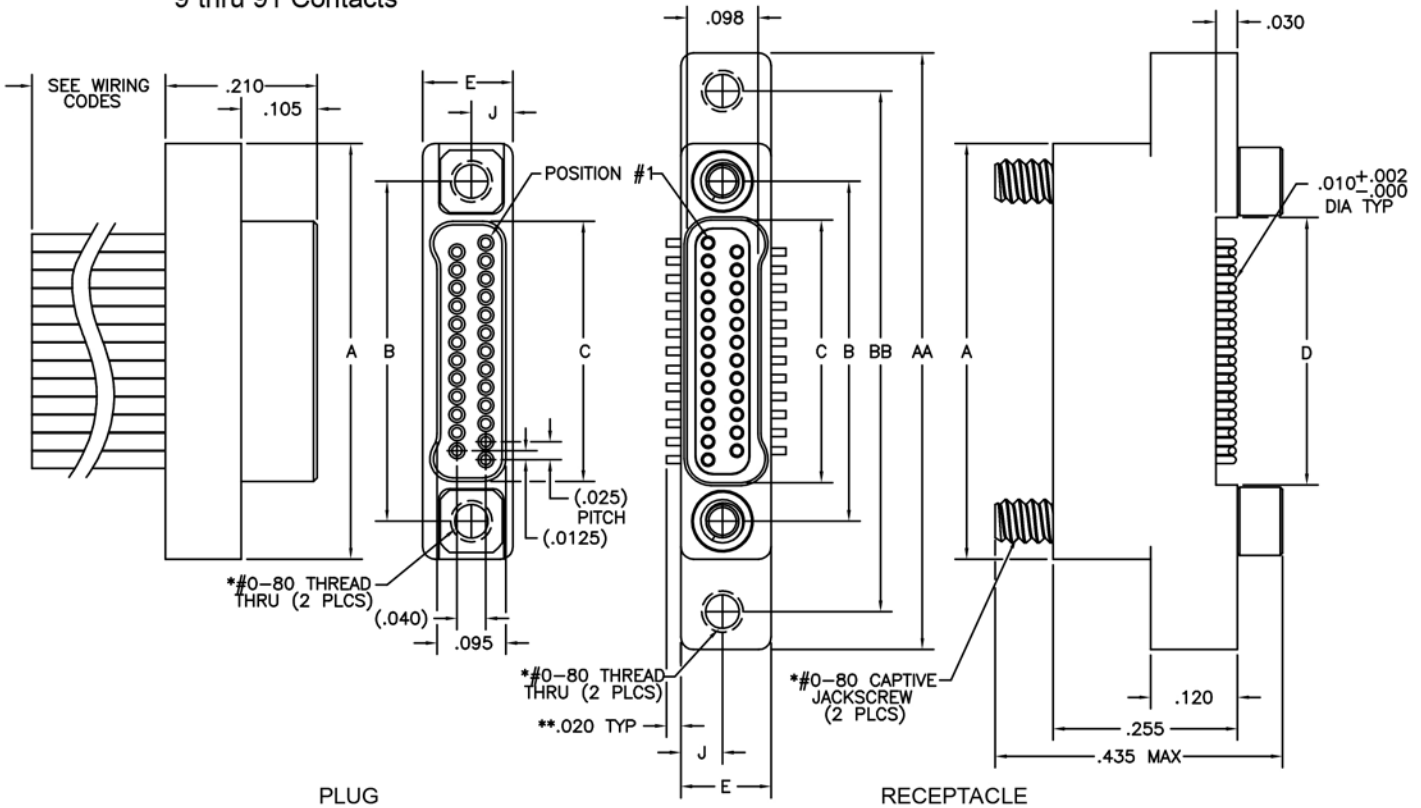
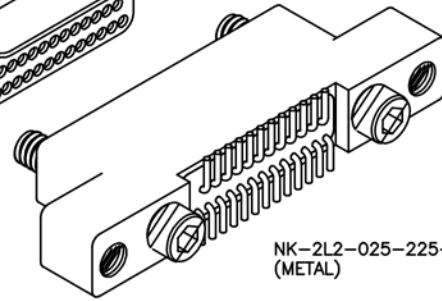
NM, NK

9 thru 91 Contacts

NM-212-025-161-THAC
(METAL)

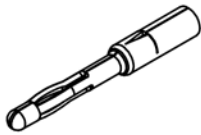


NK-2L2-025-225-JC00
(METAL)

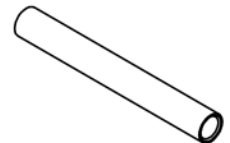


SIZE	A	B	C		D	E	J	AA	BB	HARDWARE*
			PLUG	RCPT						
9	.375	.270	.160	.163	.170	.125	.0575	.625	.520	#0-80 THREAD
15	.450	.345	.235	.238	.245			.700	.595	
21	.525	.420	.310	.313	.320			.775	.670	
25	.575	.470	.360	.363	.370			.825	.720	
31	.650	.545	.435	.438	.445			.900	.795	
37	.725	.620	.510	.513	.520			.975	.870	
51	.900	.795	.685	.688	.695			1.150	1.045	
65	1.075	.970	.860	.863	.870			1.325	1.220	
69	1.125	1.020	.910	.913	.920			1.375	1.270	
85	1.377	1.246	1.110	1.113	1.120			1.679	1.546	
91	1.452	1.321	1.185	1.188	1.195	1.754	1.621			

* = #2-56 UNC THREAD ON 85 POSITION CONNECTORS
 ** = DIMENSION CHANGES TO .040" FOR "010" OPTION.
 SEE PAGE N-54.



PIN CONTACT
3 TINE SPRING MEMBER,
CRIMP



SOCKET CONTACT
DRAWN TUBE, CRIMP



PLUG: NM-212-025-161-THAC
RECEPTACLE: NK-2L2-025-225-JC00
 XX-XXX-XXX-XXX-XXXX-XXX

PLUG		RECEPTACLE	
SERIES			
NM	.025" Metal I/O Connector	NK	.025" Metal PC Board Mounted Connector

BODY			
2	2-Row	2	2-Row
BODY STYLE:		BODY STYLE:	
1	Plug, straight	L	Receptacle, vertical SMT w/ mounting ears
5	Plug, straight, with factory installed backshell (See page NA-3)		
BODY MATERIAL:		BODY MATERIAL:	
2	Liquid Crystal Polymer w/ electroless nickel shell	2	Liquid Crystal Polymer w/ electroless nickel shell
3	Liquid Crystal Polymer w/ electrodeposited cadmium shell <input checked="" type="checkbox"/>	3	Liquid Crystal Polymer w/ electrodeposited cadmium shell <input checked="" type="checkbox"/>
4	Liquid Crystal Polymer w/ stainless steel shell ***	4	Liquid Crystal Polymer w/ stainless steel shell ***
5	Liquid Crystal Polymer w/ titanium shell ***	5	Liquid Crystal Polymer w/ titanium shell ***

SIZE	
XXX	Number of contacts (009, 015, 021, 025, 031, 037, 051, 065, 069, 085 or 091)

CONTACTS	
TYPE CONTACTS/TERMINATIONS:	
16	Pin, straight, crimped wire
PLATING OPTIONS:	
1	50 u" Au contacts

HARDWARE	
STYLE OF HARDWARE:	
00	None ***
TH	Threaded hole, #0-80 UNF* **
WIRING OPTIONS:	
XX	See wiring codes, Page NA-2

OPTIONS	
010	.040 lead envelope

* = #2-56 UNC thread on 85, 91 position connectors
 .050 hex key (#0-80 thread)
 1/16" hex key (#2-56 thread)
 Recommended torque value 1.0 inch-lbs. max. (#0-80 thread)
 Recommended torque value 2.0 inch-lbs. max. (#2-56 thread)
 Ball end hex wrench not recommended
 Hex wrench key/bit conforming to the requirements of ASME / ANSI-B-18.3 is recommended.
 .050" hex L-key long arm wrench - order AirBorn p/n CDG14148.
 1/16" hex L-key long arm wrench - order AirBorn p/n CDG14160.

** = Threaded hole tapped directly into stainless steel and titanium shells, aluminum shells have stainless steel inserts (as shown on previous page).

*** = Not available option if specifying factory installed backshell.

= Option not RoHS compliant

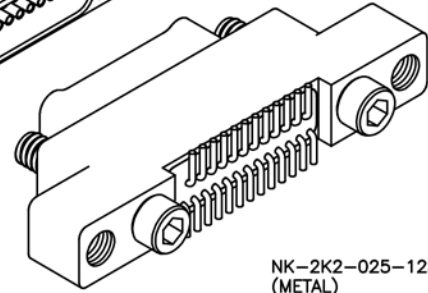
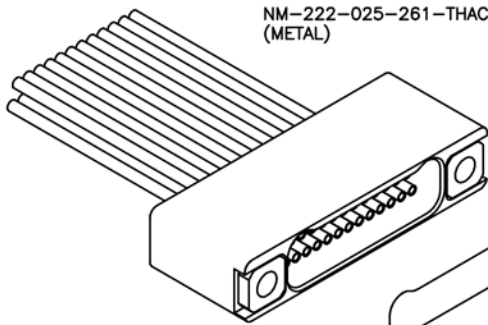


2 · ROW Cable to Vertical SMT w/ Mounting Ears

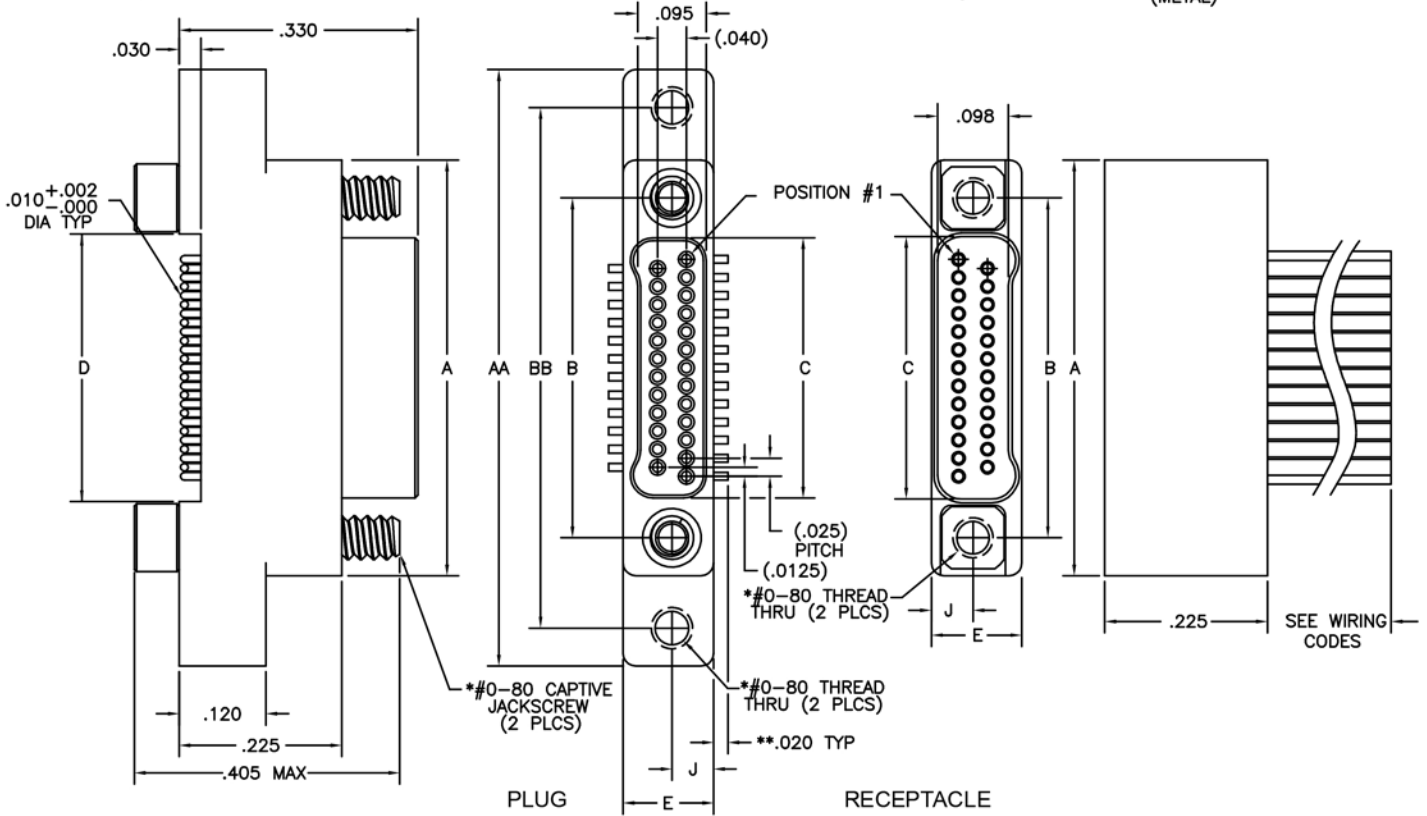
.025"

NM, NK

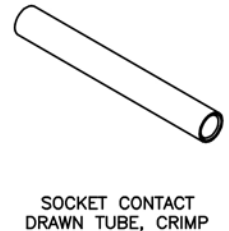
9 thru 91 Contacts



NK-2K2-025-125-JC00
(METAL)



SIZE	A	B	C		D	E	J	AA	BB	HARDWARE*
			PLUG	RCPT						
9	.375	.270	.160	.163	.170	.125	.0575	.625	.520	#0-80 THREAD
15	.450	.345	.235	.238	.245			.700	.595	
21	.525	.420	.310	.313	.320			.775	.670	
25	.575	.470	.360	.363	.370			.825	.720	
31	.650	.545	.435	.438	.445			.900	.795	
37	.725	.620	.510	.513	.520			.975	.870	
51	.900	.795	.685	.688	.695			1.150	1.045	
65	1.075	.970	.860	.863	.870			1.325	1.220	
69	1.125	1.020	.910	.913	.920			1.375	1.270	
85	1.377	1.246	1.110	1.113	1.120			.150	.0700	
91	1.452	1.321	1.185	1.188	1.195	1.754	1.625			



* = #2-56 UNC THREAD ON 85 & 91 POSITION CONNECTORS
 ** = DIMENSION CHANGES TO .040" FOR "010" OPTION.
 SEE PAGE N-56.



PLUG: NK-2K2-025-125-JC00
RECEPTACLE: NM-222-025-261-THAC
 XX-XXX-XXX-XXX-XXXX-XXX

PLUG		RECEPTACLE	
SERIES			
NK	.025" Metal PC Board Mounted Connector	NM025"	Metal I/O Connector

BODY			
2	2-Row	2	2-Row
BODY STYLE:		BODY STYLE:	
K	Plug, vertical SMT w/ mounting ears	2	Receptacle, straight
		6	Receptacle, straight, with factory installed backshell (See page NA-3)
BODY MATERIAL:		BODY MATERIAL:	
2	Liquid Crystal Polymer w/ electroless nickel shell	2	Liquid Crystal Polymer w/ electroless nickel shell
3	Liquid Crystal Polymer w/ electrodeposited cadmium shell <input checked="" type="checkbox"/>	3	Liquid Crystal Polymer w/ electrodeposited cadmium shell <input checked="" type="checkbox"/>
4	Liquid Crystal Polymer w/ stainless steel shell	4	Liquid Crystal Polymer w/ stainless steel shell ***
5	Liquid Crystal Polymer w/ titanium shell	5	Liquid Crystal Polymer w/ titanium shell ***

SIZE			
XXX	Number of contacts (009, 015, 021, 025, 031, 037, 051, 065, 069, 085 or 091)	XXX	Number of contacts (009, 015, 021, 025, 031, 037, 051, 065, 069, 085 or 091)

CONTACTS			
TYPE CONTACTS/TERMINATIONS:		TYPE CONTACTS/TERMINATIONS:	
12	Pin, SMT (.020 lead envelope)	26	Socket, straight, crimped wire
PLATING OPTIONS:		PLATING OPTIONS:	
5	50 u" Au contacts; Sn/Pb alloy terminations <input checked="" type="checkbox"/>	1	50 u" Au contacts
8	50 u" Au contacts; Tin plated terminations		

HARDWARE			
STYLE OF HARDWARE:		STYLE OF HARDWARE:	
00	None	00	None
JC	Turning jackscrews, captivated #0-80 UNF*	TH	Threaded hole, #0-80 UNF* **
WIRING OPTIONS:		WIRING OPTIONS:	
00	None	XX	See wiring codes, Page NA-2

OPTIONS	
010	.040 lead envelope

* = #2-56 UNC thread on 85 position connectors
 .050 hex key (#0-80 thread)
 1/16" hex key (#2-56 thread)
 Recommended torque value 1.0 inch-lbs. max. (#0-80 thread)
 Recommended torque value 2.0 inch-lbs. max. (#2-56 thread)
 Ball end hex wrench not recommended
 Hex wrench key/bit conforming to the requirements of ASME / ANSI-B-18.3 is recommended.
 .050" hex L-key long arm wrench - order AirBorn p/n CDG14148.
 1/16" hex L-key long arm wrench - order AirBorn p/n CDG14160.

** = Threaded hole tapped directly into stainless steel and titanium shells, aluminum shells have stainless steel inserts (as shown on previous page).

*** = Not available option if specifying factory installed backshell

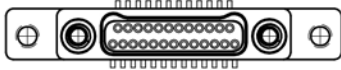
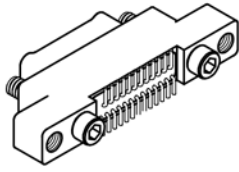
= Option not RoHS compliant



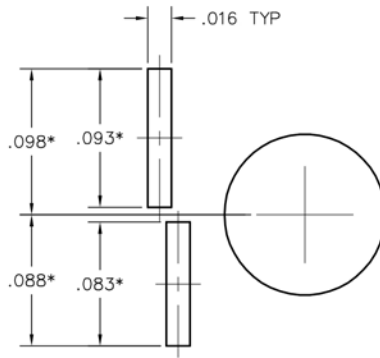
Recommended PC Board Layout

Vertical SMT Plug w/ Mounting Ears
.020 & .040 Lead Envelopes
FOR REFERENCE ONLY

No solder mask allowed within connector outline



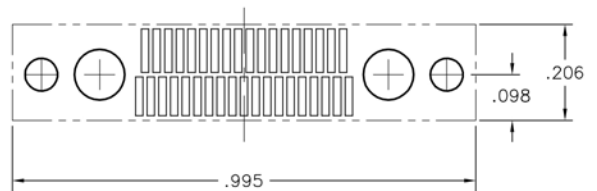
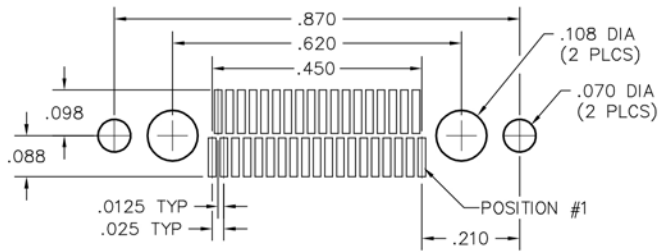
CONNECTOR MATING FACE



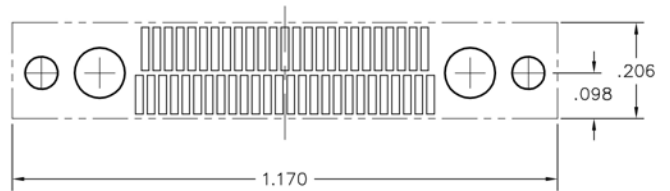
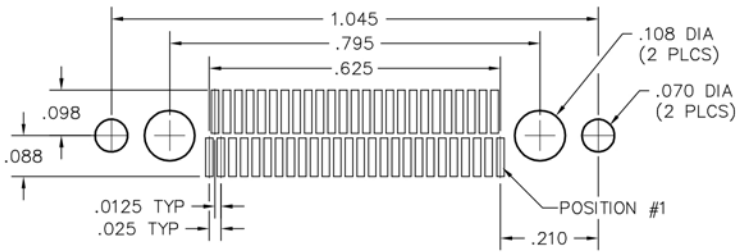
FOOTPRINT / PAD CONFIGURATION

* = For .040" lead envelope, add .020" to noted dimensions

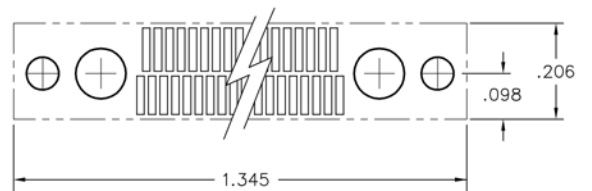
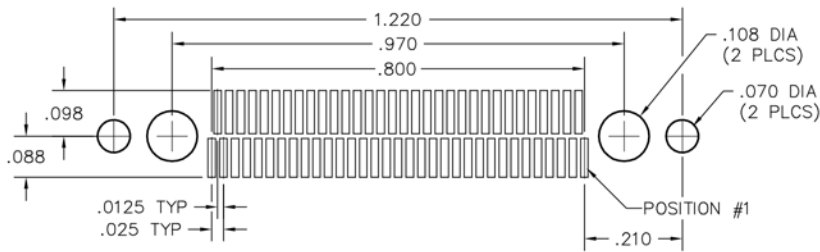
37 POSITION



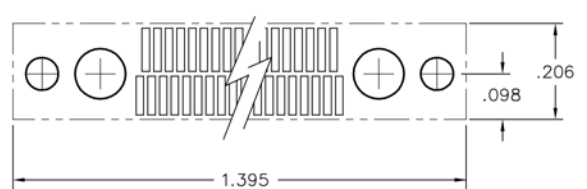
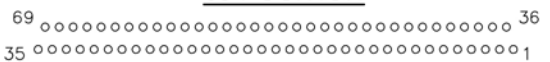
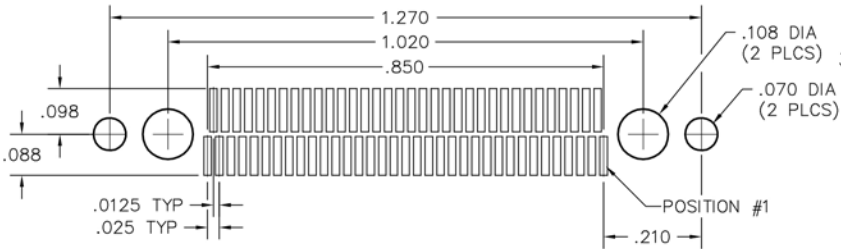
51 POSITION



65 POSITION



69 POSITION

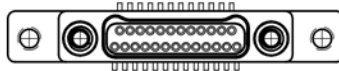
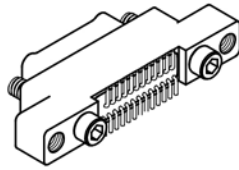




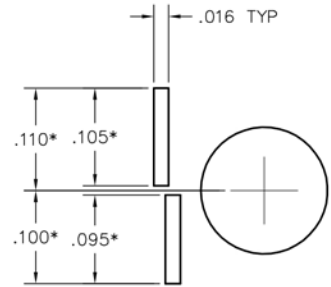
Recommended PC Board Layout

Vertical SMT Plug w/ Mounting Ears
.020 & .040 Lead Envelopes
FOR REFERENCE ONLY

No solder mask allowed within connector outline

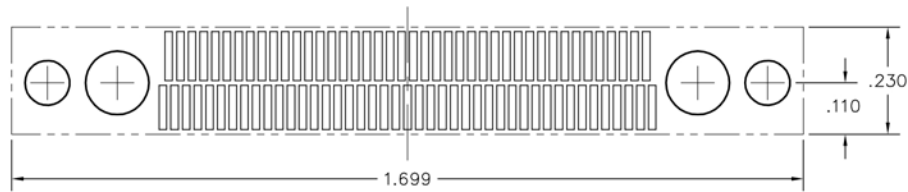
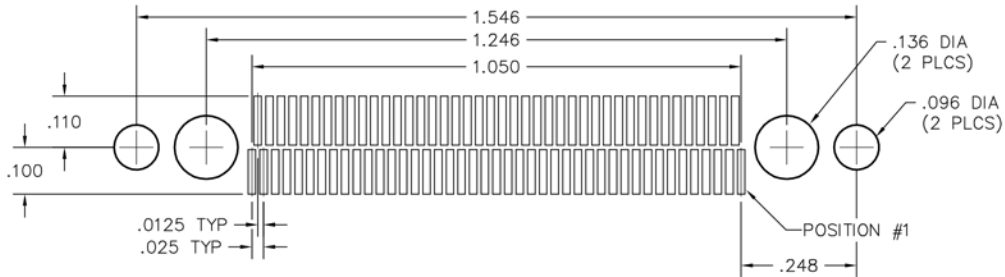


CONNECTOR MATING FACE

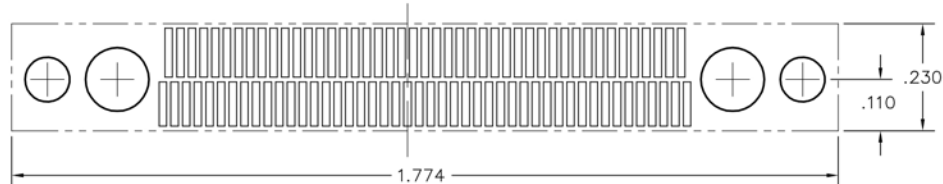
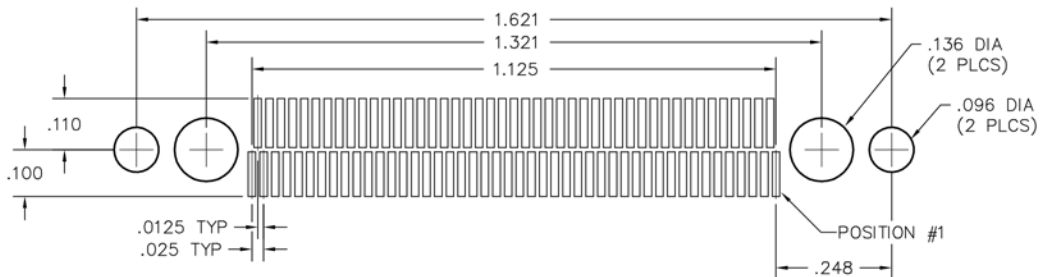


FOOTPRINT / PAD CONFIGURATION
* = For .040" lead envelope, add .020" to noted dimensions

85 POSITION



91 POSITION

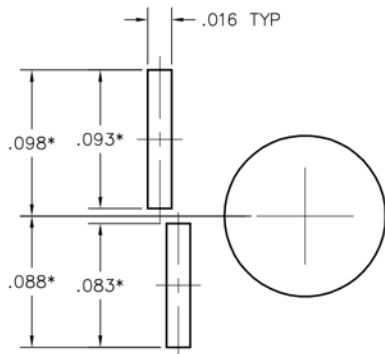




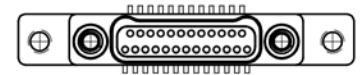
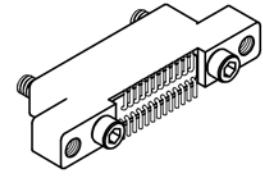
Recommended PC Board Layout

Vertical SMT Rcpt w/ Mounting Ears
 .020 & .040 Lead Envelopes
 FOR REFERENCE ONLY

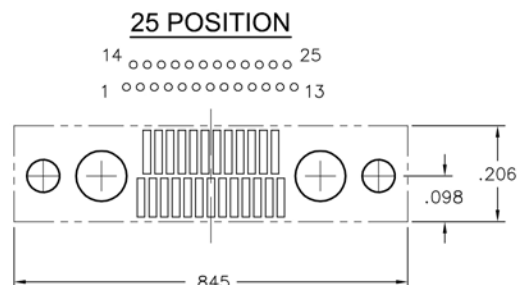
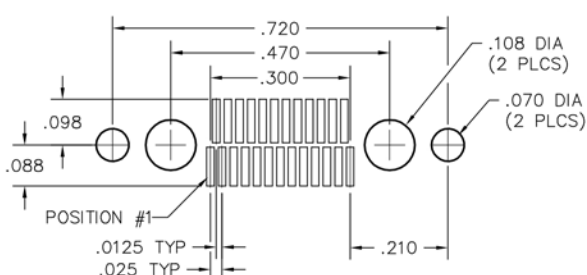
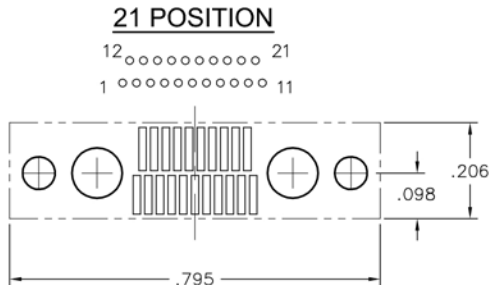
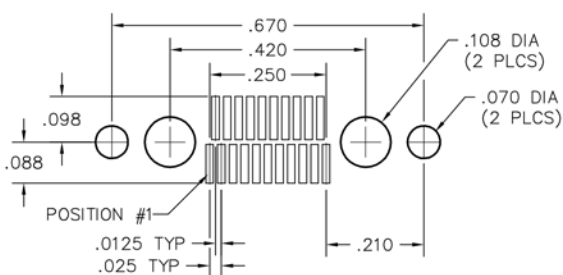
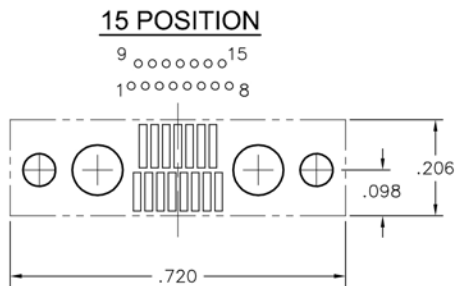
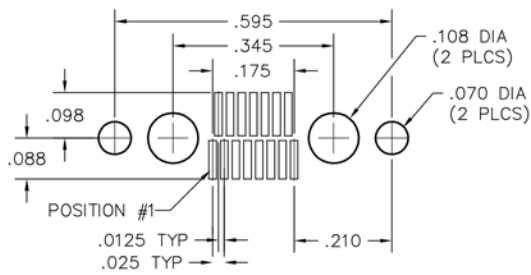
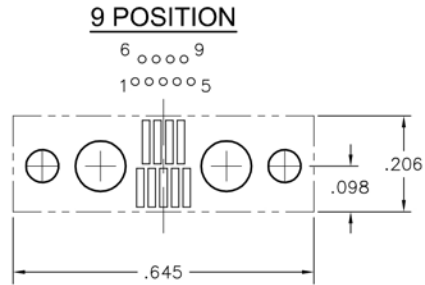
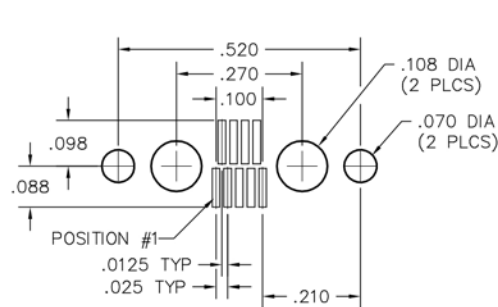
No solder mask allowed within connector outline

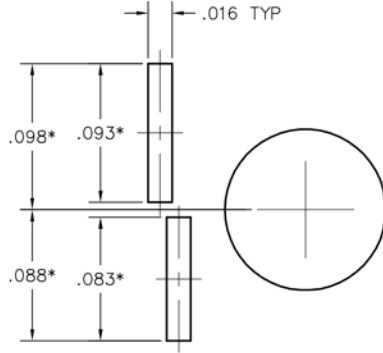
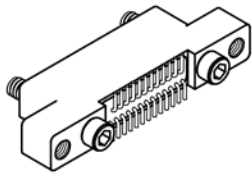


FOOTPRINT / PAD CONFIGURATION
 * = For .040" lead envelope, add .020" to noted dimensions



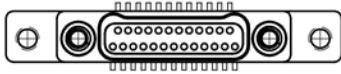
CONNECTOR MATING FACE





Recommended PC Board Layout

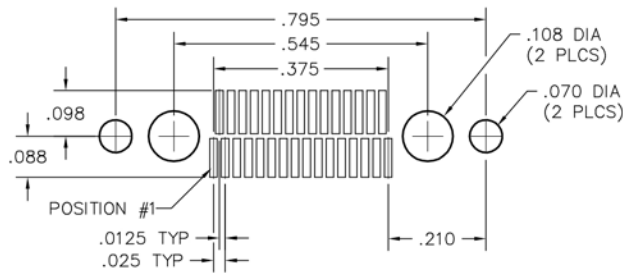
Vertical SMT Rcpt w/ Mounting Ears
 .020 & .040 Lead Envelopes
 FOR REFERENCE ONLY



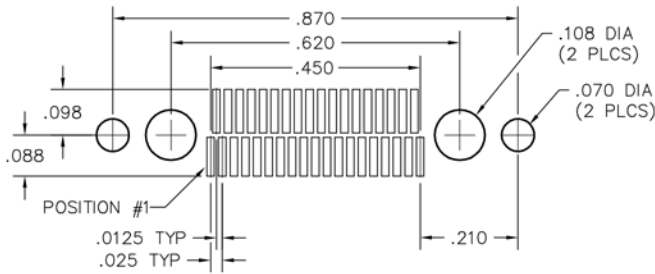
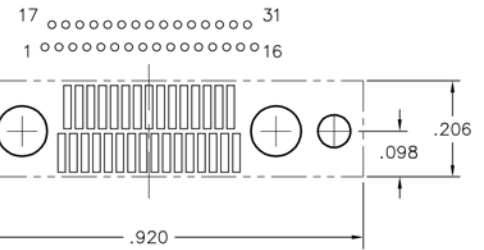
CONNECTOR MATING FACE

FOOTPRINT / PAD CONFIGURATION
 * = For .040" lead envelope, add .020" to noted dimensions

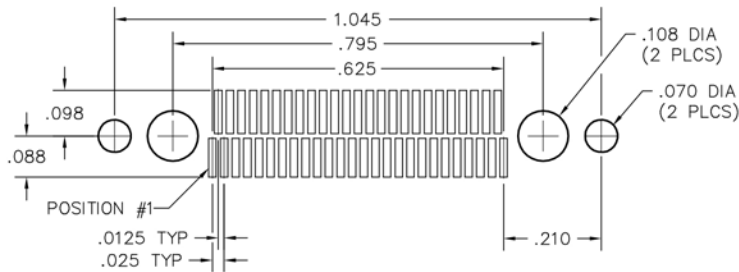
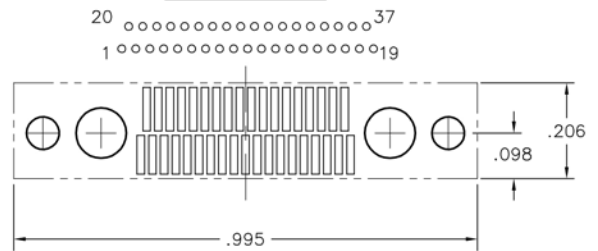
No solder mask allowed within connector outline



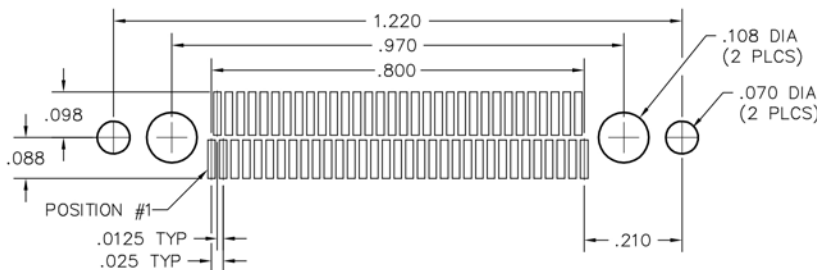
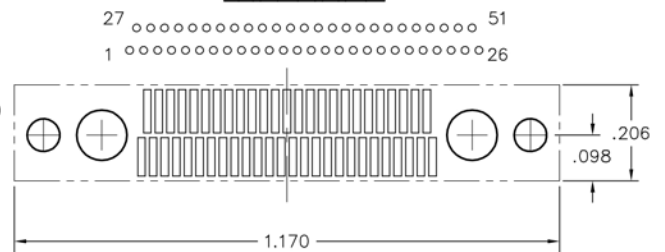
31 POSITION



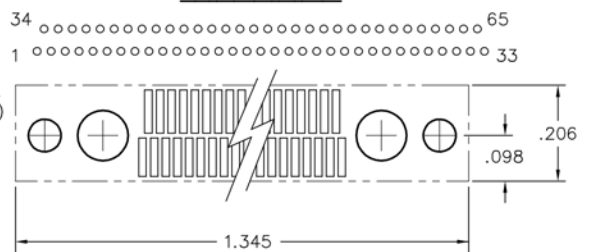
37 POSITION



51 POSITION



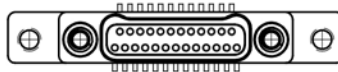
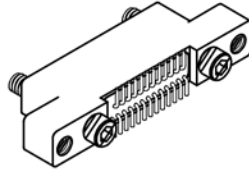
65 POSITION



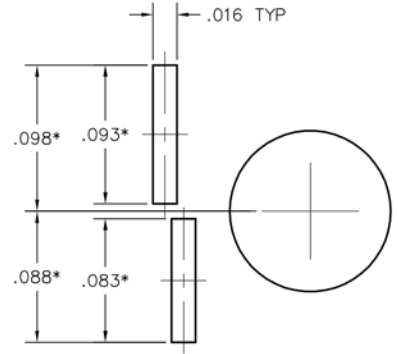
Recommended PC Board Layout

Vertical SMT Plug w/ Mounting Ears
 .020 & .040 Lead Envelopes
 FOR REFERENCE ONLY

No solder mask allowed
 within connector outline

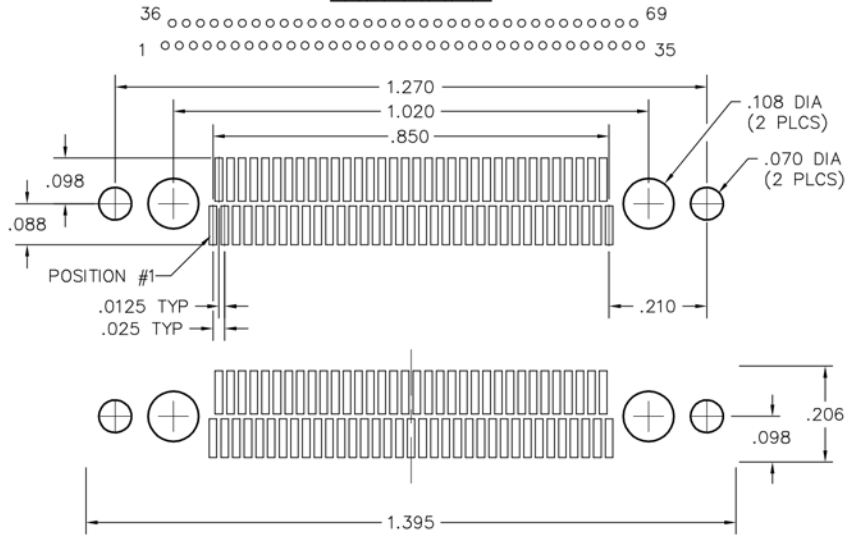


CONNECTOR MATING FACE

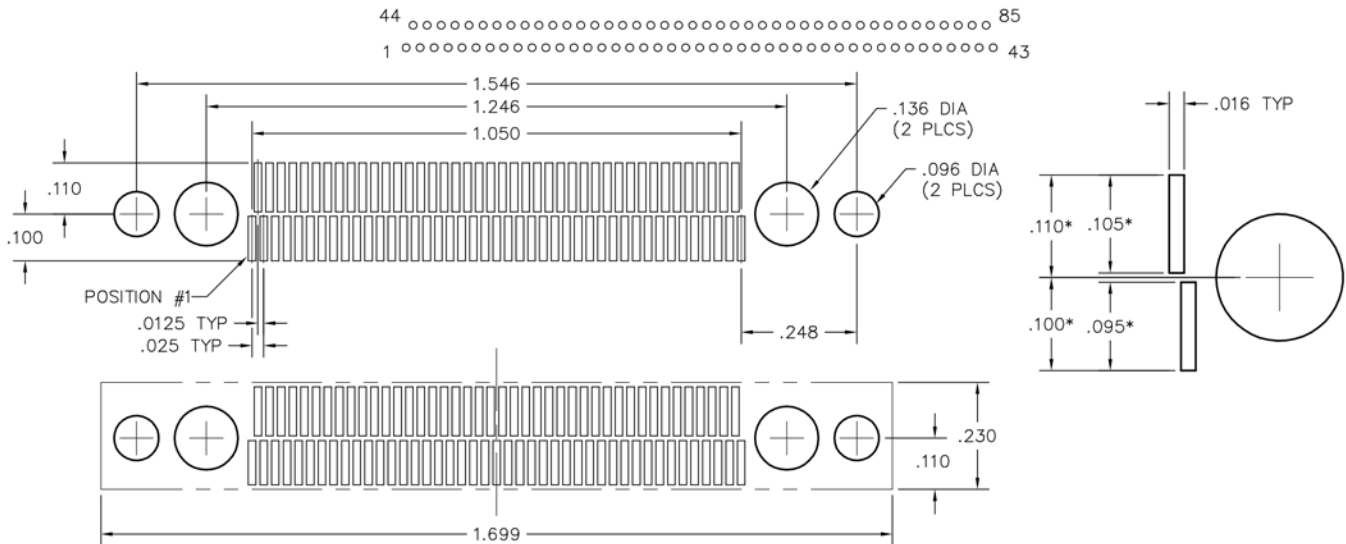


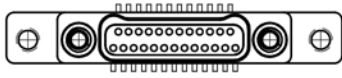
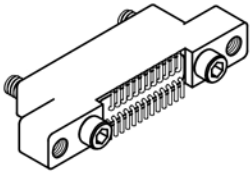
FOOTPRINT / PAD CONFIGURATION
 * = For .040" lead envelope, add .020" to noted dimensions

69 POSITION



85 POSITION



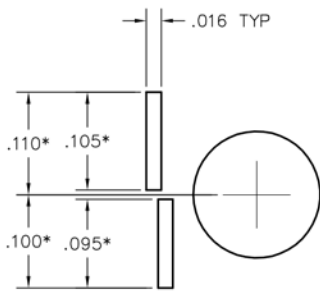


CONNECTOR MATING FACE

Recommended PC Board Layout

Vertical SMT Rcpt w/ Mounting Ears
 .020 & .040 Lead Envelopes
 FOR REFERENCE ONLY

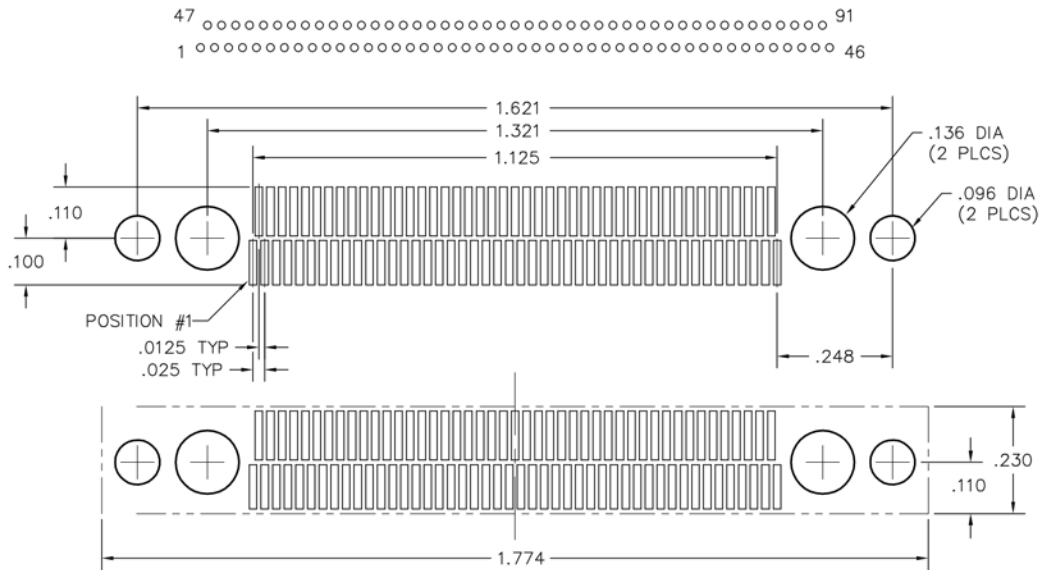
No solder mask allowed within connector outline



FOOTPRINT / PAD CONFIGURATION

* = For .040" lead envelope, add .020" to noted dimensions

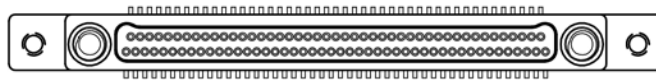
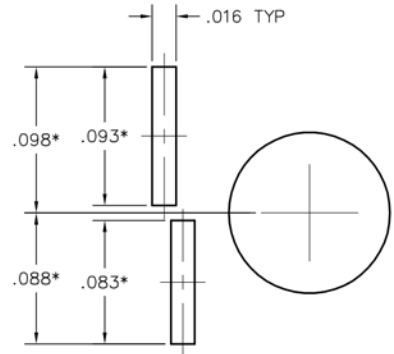
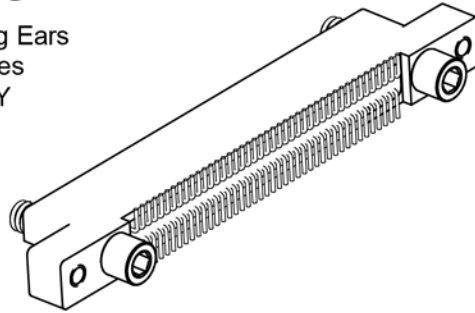
91 POSITION



Recommended PC Board Layout

Vertical SMT Rcpt w/ Mounting Ears
 .020 & .040 Lead Envelopes
FOR REFERENCE ONLY

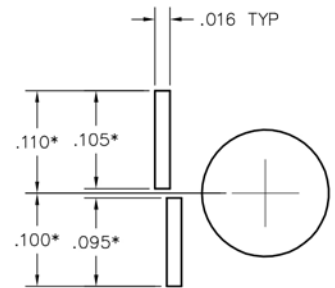
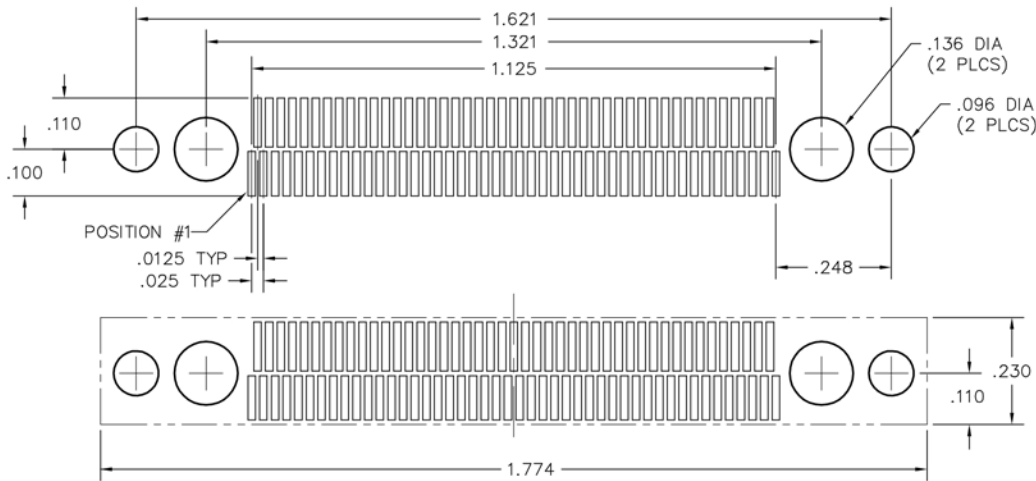
No solder mask allowed within connector outline



CONNECTOR MATING FACE

FOOTPRINT / PAD CONFIGURATION
 * = For .040" lead envelope, add .020" to noted dimensions

91 POSITION

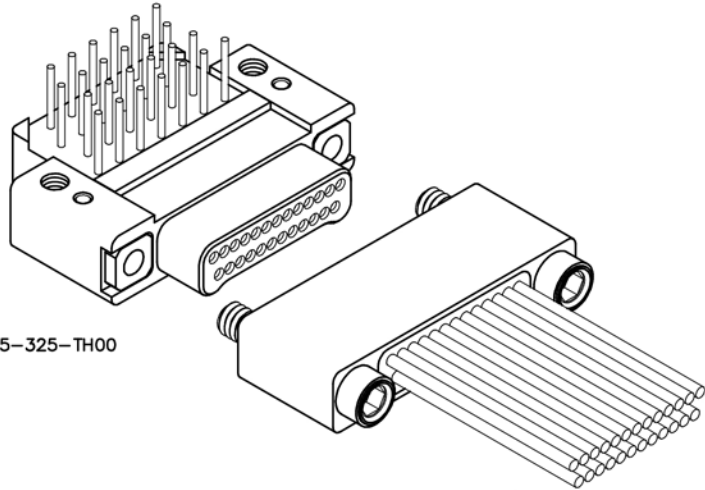


2 ROW Cable to Board Right Angle PTH

.025"

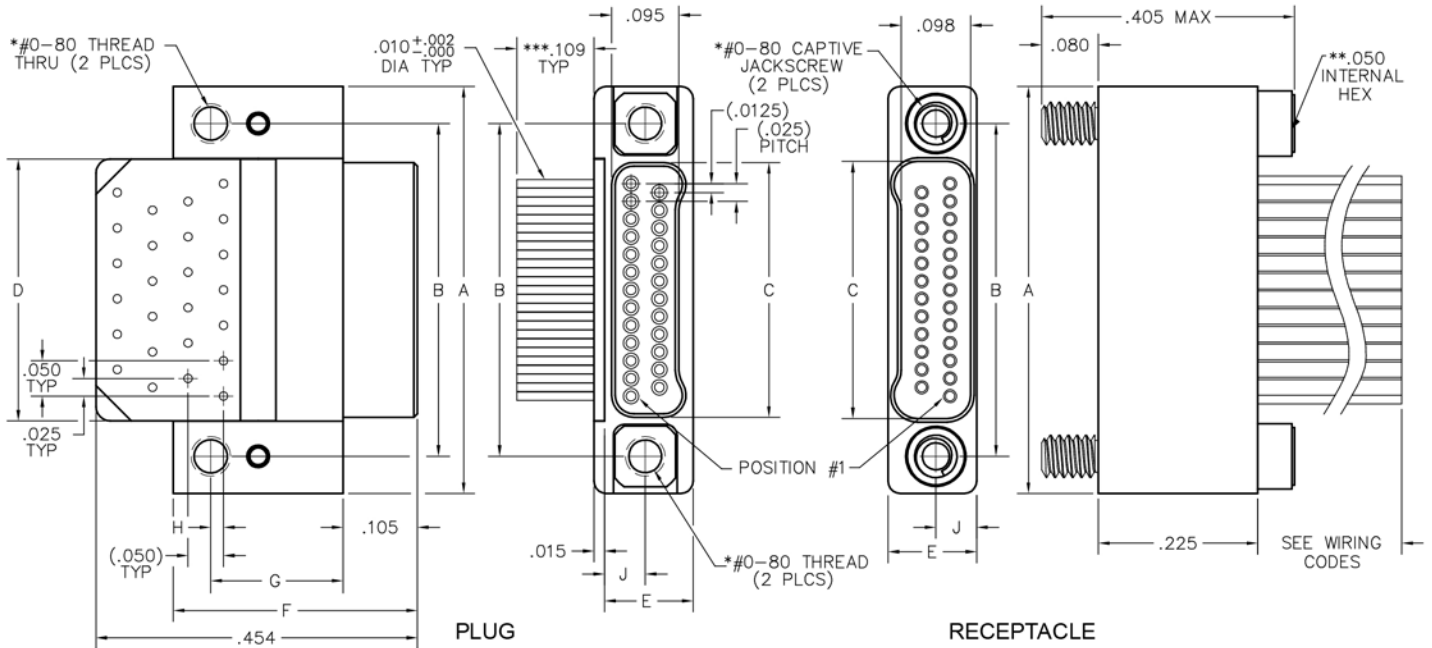
NM, NK

9 thru 91 Contacts

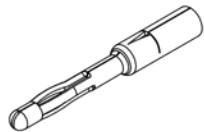


NK-2E2-025-325-TH00
(METAL)

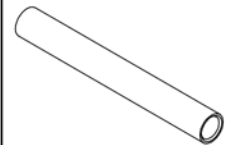
NM-222-025-261-JCAC
(METAL)



SIZE	A	B	C		D	E	F	G	H	J	*HARDWARE
			PLUG	RCPT							
9	.375	.270	.160	.163	.170						
15	.450	.345	.235	.238	.245						
21	.525	.420	.310	.313	.320						
25	.575	.470	.360	.363	.370						
31	.650	.545	.435	.438	.445	.125	.345	.187	.018	.0575	#0-80 THREAD
37	.725	.620	.510	.513	.520						
51	.900	.795	.685	.688	.695						
65	1.075	.970	.860	.863	.870						
69	1.125	1.020	.910	.913	.920						
85	1.377	1.246	1.110	1.113	1.120	.150	.410	.244	.075	.0700	#2-56 THREAD
91	1.452	1.321	1.185	1.188	1.195						



PIN CONTACT
3 TINE SPRING MEMBER, CRIMP



SOCKET CONTACT
DRAWN TUBE, CRIMP

* = #2-56 UNC THREAD ON 85 AND 91 POSITION CONNECTORS.
 ** = 1/16" HEX ON 85 AND 91 POSITION CONNECTORS. HEX MEASUREMENT TAKEN ACROSS THE FLATS.
 *** = OTHER LENGTHS AS REQUIRED



PLUG: NK-2E2-025-325-TH00
RECEPTACLE: NM-222-025-261-JCAC
 XX-XXX-XXX-XXX-XXXX

PLUG **RECEPTACLE**

SERIES

NK .025" Metal PC Board Mounted Connector | NM .025" Metal I/O Connector

BODY

2 2-Row BODY STYLE: E Plug, right angle, plated thru hole (PTH)	2 2-Row BODY STYLE: 2 Receptacle, straight 6 Receptacle, straight, with factory installed backshell (See page NA-3)
--	---

BODY MATERIAL: 2 Liquid Crystal Polymer w/ electroless nickel shell 3 Liquid Crystal Polymer w/ electrodeposited cadmium shell <input checked="" type="checkbox"/> 4 Liquid Crystal Polymer w/ stainless steel shell 5 Liquid Crystal Polymer w/ titanium shell	BODY MATERIAL: 2 Liquid Crystal Polymer w/ electroless nickel shell 3 Liquid Crystal Polymer w/ electrodeposited cadmium shell <input checked="" type="checkbox"/> 4 Liquid Crystal Polymer w/ stainless steel shell *** 5 Liquid Crystal Polymer w/ titanium shell ***
--	--

SIZE

XXX Number of contacts (009, 015, 021, 025, 031, 037, 051, 065, 069, 085 or 091) | XXX Number of contacts (009, 015, 021, 025, 031, 037, 051, 065, 069, 085, or 091)

CONTACTS

TYPE CONTACTS/TERMINATIONS: 32 Pin, right angle, .109" 33 Pin, right angle, .140" 34 Pin, right angle, .172"	TYPE CONTACTS/TERMINATIONS: 26 Socket, straight, crimped wire
--	---

PLATING OPTIONS: 5 50 u" Au contacts; Sn/Pb alloy terminations <input checked="" type="checkbox"/> 8 50 u" Au contacts; Tin plated terminations	PLATING OPTIONS: 1 50 u" Au contacts
--	--

HARDWARE

STYLE OF HARDWARE: 00 None TH Threaded hole, #0-80 UNF* **	STYLE OF HARDWARE: 00 None *** JC Turning jackscrews, captivated #0-80 UNF*
---	--

WIRING OPTIONS: 00 None	WIRING OPTIONS: XX See wiring codes, Page NA-2
-----------------------------------	--

* = #2-56 UNC thread on 85 and 91 position connectors
 .050 hex key (#0-80 thread)
 1/16" hex key (#2-56 thread)
 Recommended torque value 1.0 inch-lbs. max. (#0-80 thread)
 Recommended torque value 2.0 inch-lbs. max. (#2-56 thread)
 Ball end hex wrench not recommended
 Hex wrench key/bit conforming to the requirements of ASME / ANSI-B-18.3 is recommended.
 .050" hex L-key long arm wrench - order AirBorn p/n CDG14148.
 1/16" hex L-key long arm wrench - order AirBorn p/n CDG14160.

** = Threaded hole tapped directly into stainless steel and titanium shells, aluminum shells have stainless steel inserts (as shown on previous page).

*** = Not available option if specifying factory installed backshell

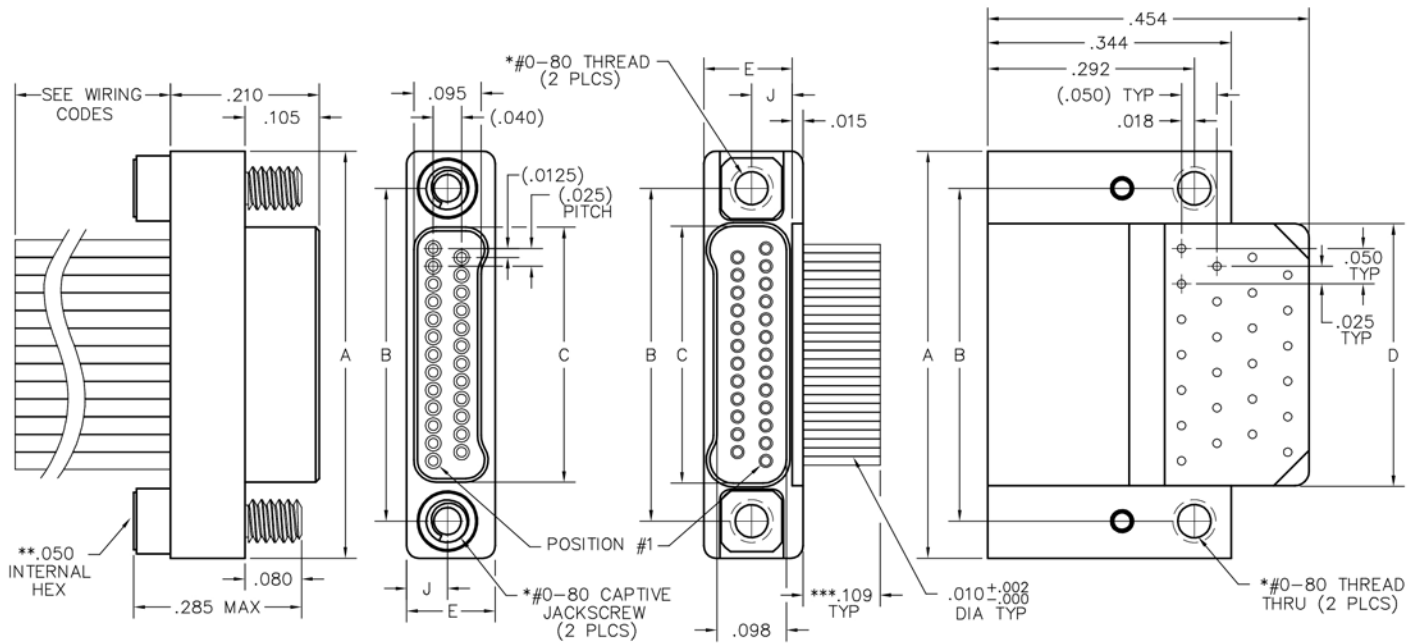
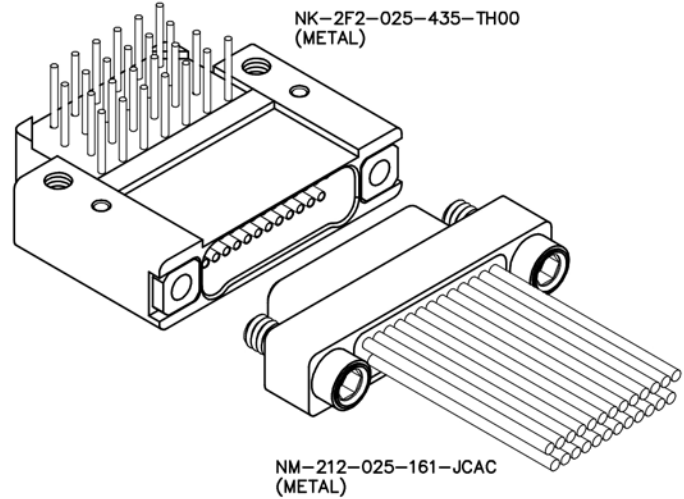
= Option not RoHS compliant

2 · ROW Cable to Board Right Angle PTH

.025"

NM, NK

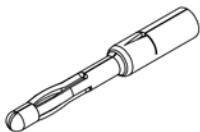
9 thru 91 Contacts



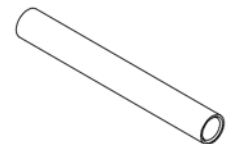
PLUG

RECEPTACLE

SIZE	A	B	C		D	E	J	*HARDWARE
			PLUG	RCPT				
9	.375	.270	.160	.163	.170	.125	.0575	#0-80 THREAD
15	.450	.345	.235	.238	.245			
21	.525	.420	.310	.313	.320			
25	.575	.470	.360	.363	.370			
31	.650	.545	.435	.438	.445			
37	.725	.620	.510	.513	.520			
51	.900	.795	.685	.688	.695			
65	1.075	.970	.860	.863	.870	.150	.0700	#2-56 THREAD
69	1.125	1.020	.910	.913	.920			
85	1.377	1.246	1.110	1.113	1.120			
91	1.452	1.321	1.185	1.188	1.195			



PIN CONTACT
3 TINE SPRING MEMBER, CRIMP



SOCKET CONTACT
DRAWN TUBE, CRIMP

* = #2-56 UNC THREAD ON 85 AND 91 POSITION CONNECTORS.
 ** = 1/16" HEX ON 85 AND 91 POSITION CONNECTORS. HEX MEASUREMENT TAKEN ACROSS THE FLATS.
 *** = OTHER LENGTHS AS REQUIRED



PLUG: NM-212-025-161-JCAC
RECEPTACLE: NK-2F2-025-435-TH00
 XX-XXX-XXX-XXX-XXXX

PLUG RECEPTACLE
SERIES

NM .025" Metal I/O Connector | NK .025" Metal PC Board Mounted Connector

BODY

2 2-Row | 2 2-Row

BODY STYLE:
 1 Plug, straight | **BODY STYLE:**
 F Receptacle, right angle, plated thru hole (PTH)
 5 Plug, straight, with factory installed backshell
 (See page NA-3)

BODY MATERIAL:
 2 Liquid Crystal Polymer w/ electroless nickel shell | **BODY MATERIAL:**
 2 Liquid Crystal Polymer w/ electroless nickel shell
 3 Liquid Crystal Polymer w/ electrodeposited | 3 Liquid Crystal Polymer w/ electrodeposited
 cadmium shell **X** | cadmium shell **X**
 4 Liquid Crystal Polymer w/ stainless steel shell *** | 4 Liquid Crystal Polymer w/ stainless steel shell ***
 5 Liquid Crystal Polymer w/ titanium shell *** | 5 Liquid Crystal Polymer w/ titanium shell ***

SIZE

XXX Number of contacts (009, 015, 021, 025, 031, 037, 051, 065, 069, 085 or 091) | XXX Number of contacts (009, 015, 021, 025, 031, 037, 051, 065, 069, 085 or 091)

CONTACTS

TYPE CONTACTS/TERMINATIONS:
 16 Pin, straight, crimped wire | **TYPE CONTACTS/TERMINATIONS:**
 43 Socket, right angle, .109"
 44 Socket, right angle, .140"
 45 Socket, right angle, .172"

PLATING OPTIONS:
 1 50 u" Au contacts | **PLATING OPTIONS:**
 5 50 u" Au contacts; Sn/Pb alloy terminations **X**
 8 50 u" Au contacts; Tin plated terminations

HARDWARE

STYLE OF HARDWARE:
 00 None | **STYLE OF HARDWARE:**
 00 None
 JC Turning jackscrews, captivated #0-80 UNF* | TH Threaded hole, #0-80 UNF* **

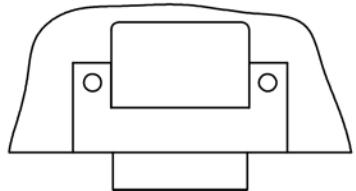
WIRING OPTIONS:
 XX See wiring codes, Page NA-2 | **WIRING OPTIONS:**
 00 None

* = #2-56 UNC thread on 85 and 91 position connectors
 .050 hex key (#0-80 thread)
 1/16" hex key (#2-56 thread)
 Recommended torque value 1.0 inch-lbs. max. (#0-80 thread)
 Recommended torque value 2.0 inch-lbs. max. (#2-56 thread)
 Ball end hex wrench not recommended
 Hex wrench key/bit conforming to the requirements of ASME / ANSI-B-18.3 is recommended.
 .050" hex L-key long arm wrench - order AirBorn p/n CDG14148.
 1/16" hex L-key long arm wrench - order AirBorn p/n CDG14160.
 ** = Threaded hole tapped directly into stainless steel and titanium shells, aluminum shells have stainless steel inserts (as shown on previous page).
 *** = Not available option if specifying factory installed backshell.
X = Option not RoHS compliant

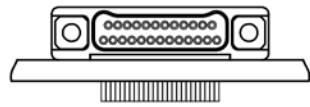
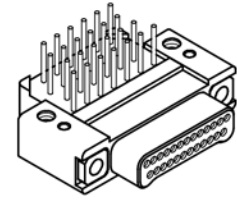


Recommended PC Board Layout

Right Angle PTH Plug
FOR REFERENCE ONLY

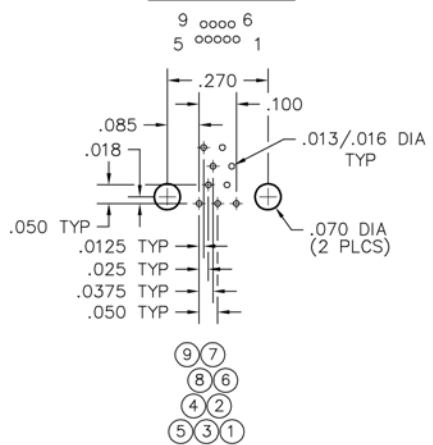


PC BOARD LAYOUT
COMPONENT SIDE

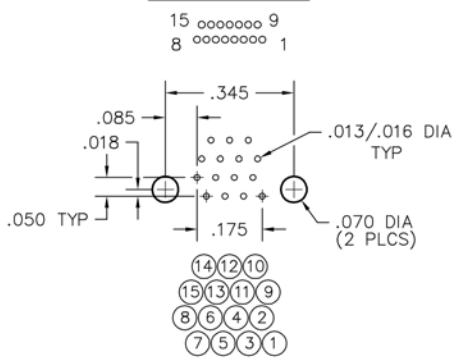


CONNECTOR MATING FACE

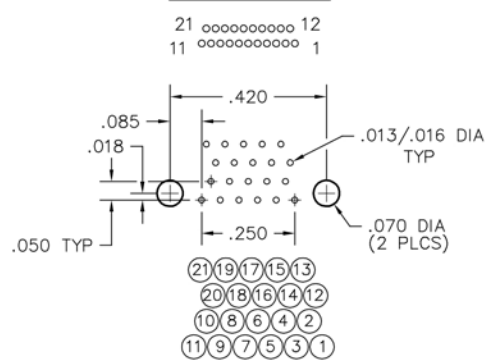
9 POSITION



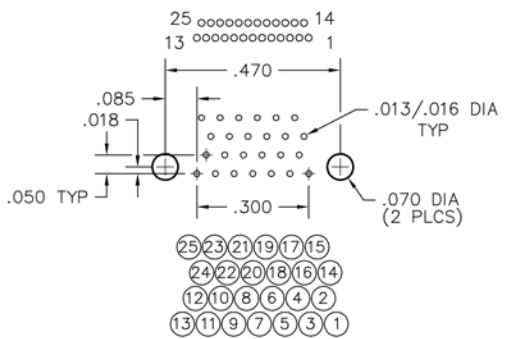
15 POSITION



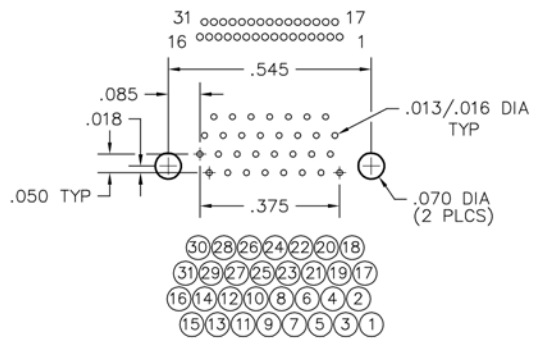
21 POSITION



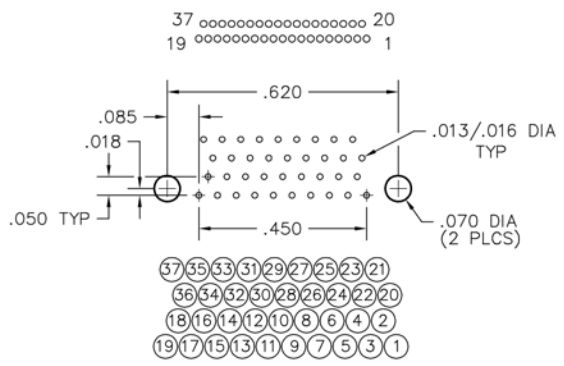
25 POSITION



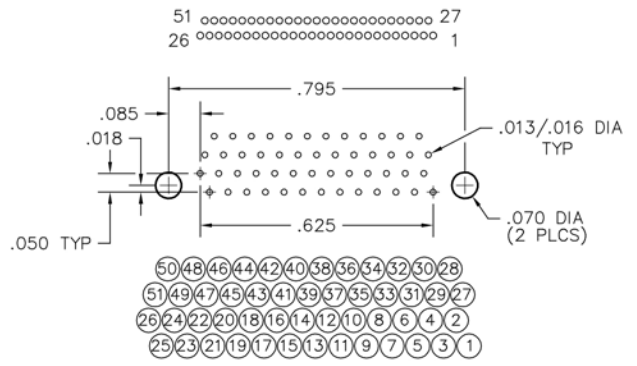
31 POSITION

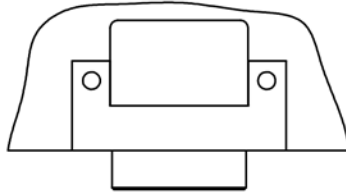
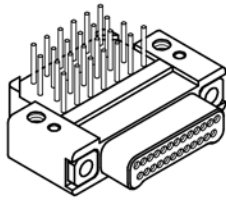


37 POSITION



51 POSITION

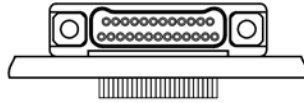




PC BOARD LAYOUT
COMPONENT SIDE

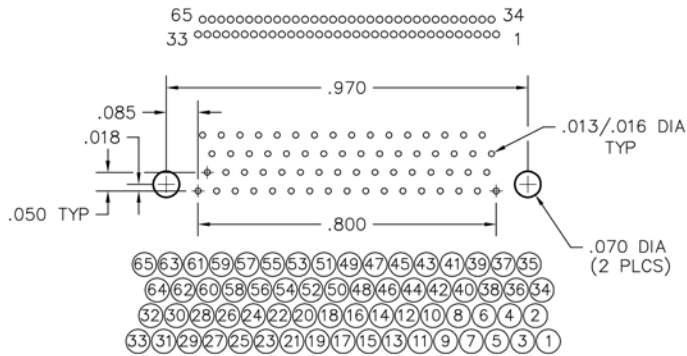
Recommended PC Board Layout

Right Angle PTH Plug
FOR REFERENCE ONLY

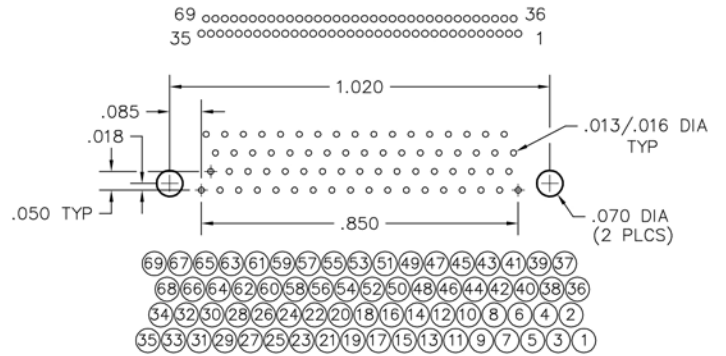


CONNECTOR MATING FACE

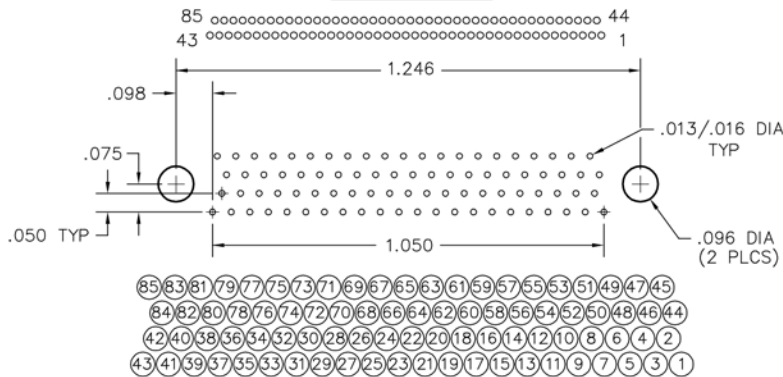
65 POSITION



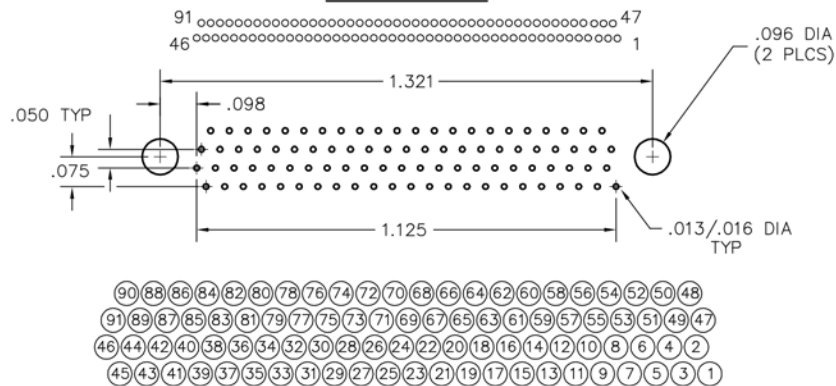
69 POSITION



85 POSITION



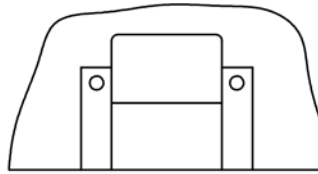
91 POSITION



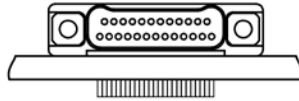
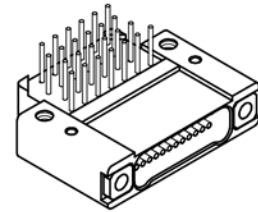


Recommended PC Board Layout

Right Angle PTH Receptacle
FOR REFERENCE ONLY

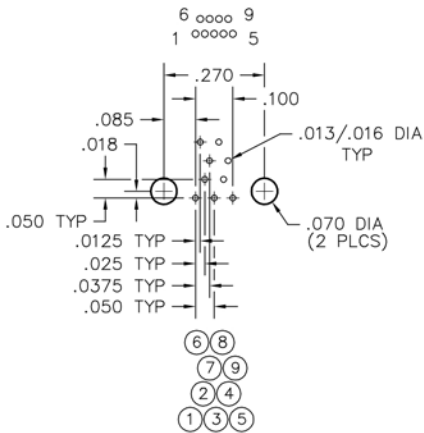


PC BOARD LAYOUT
COMPONENT SIDE

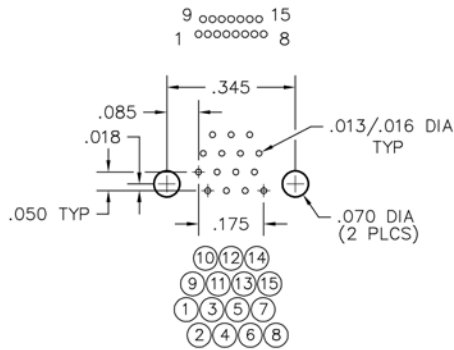


CONNECTOR MATING FACE

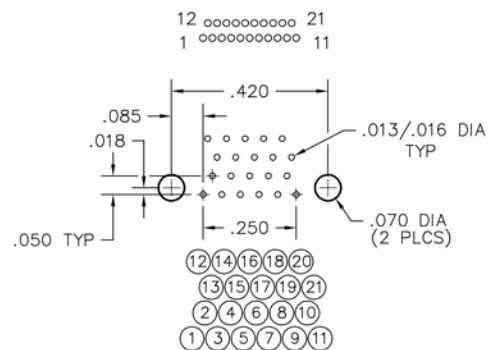
9 POSITION



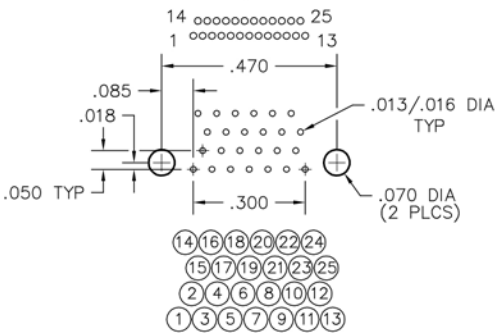
15 POSITION



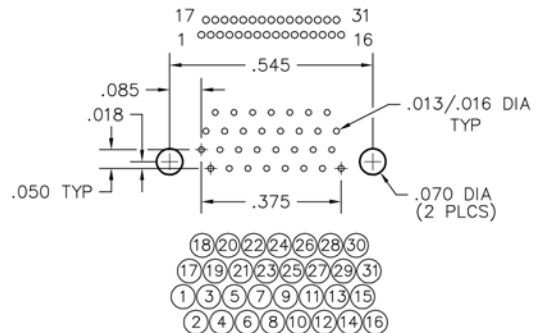
21 POSITION



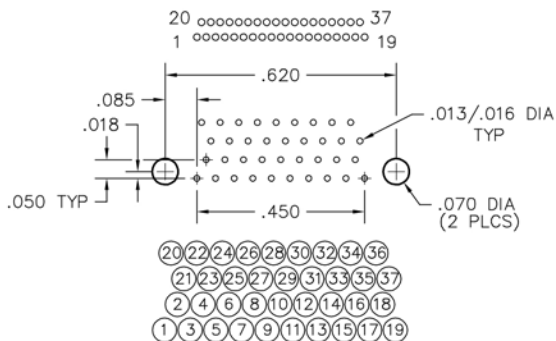
25 POSITION



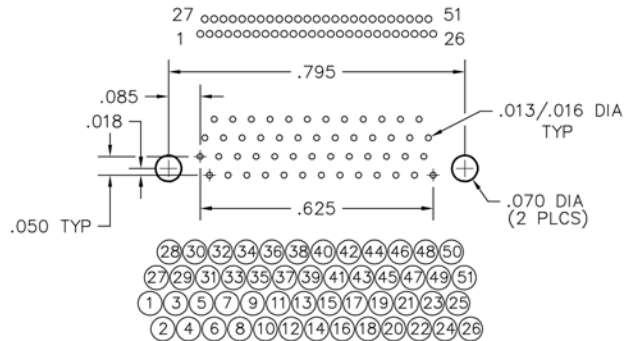
31 POSITION

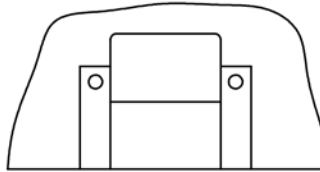
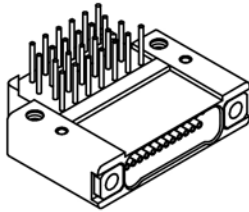


37 POSITION

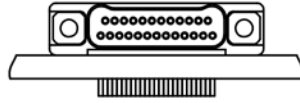


51 POSITION





PC BOARD LAYOUT
COMPONENT SIDE

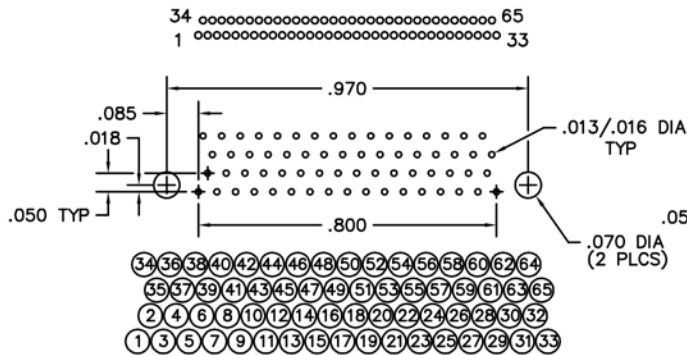


CONNECTOR MATING FACE

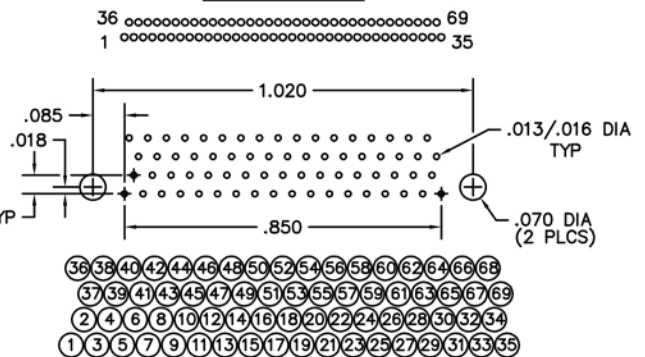
Recommended PC Board Layout

Right Angle PTH Receptacle
FOR REFERENCE ONLY

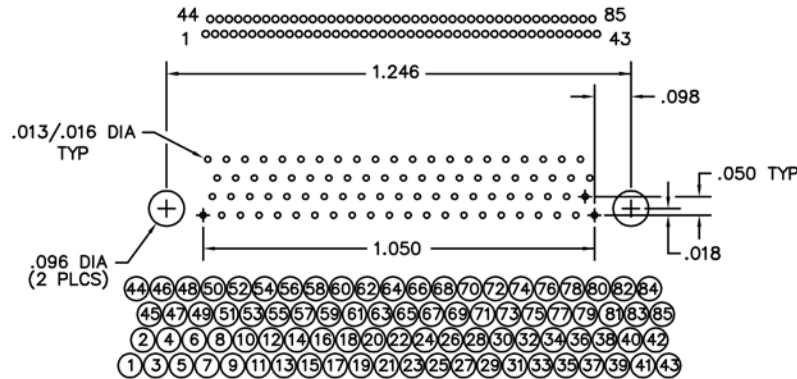
65 POSITION



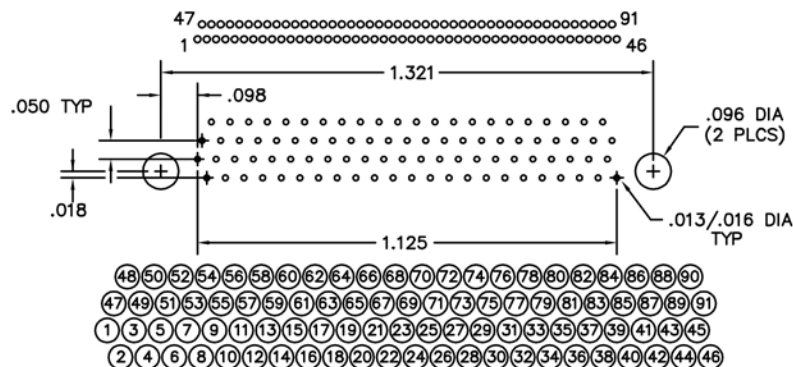
69 POSITION



85 POSITION



91 POSITION

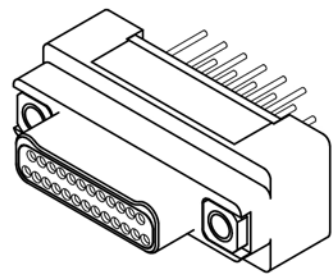
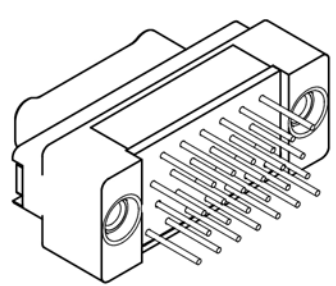




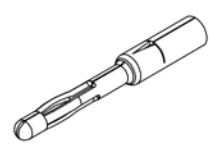
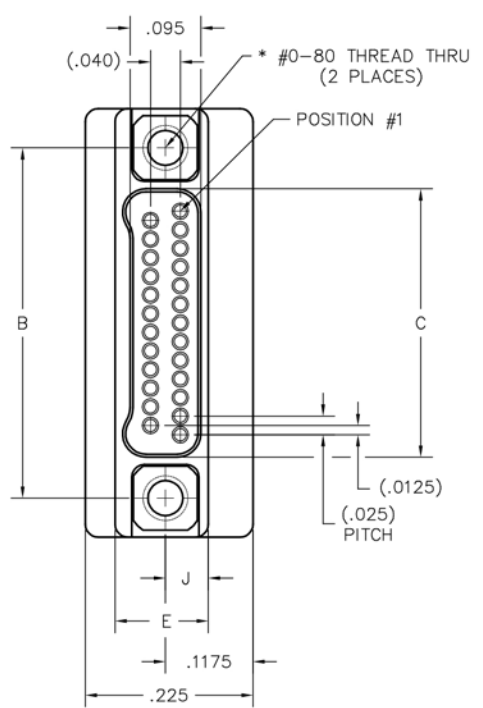
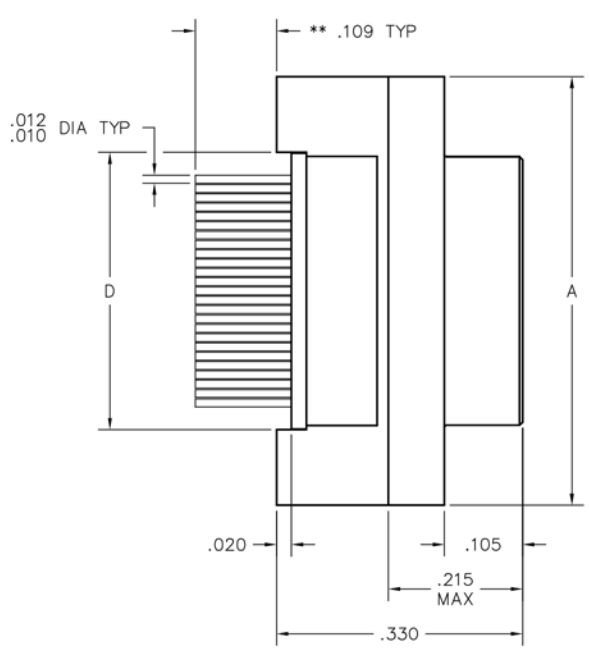
2 · ROW Vertical PTH Plug with Fixed Hardware

.025"
NK

9 thru 91 Contacts

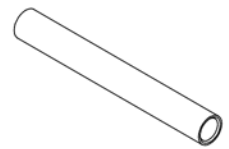


NK-2G2-025-135-TH00
PLUG



PIN CONTACT
3 TINE SPRING MEMBER, CRIMP

DIMENSIONS							
SIZE	A	B	C	D	E	J	*HARDWARE
9	.375	.270	.160	.170	.125	.0575	#0-80 THREAD
15	.450	.345	.235	.245			
21	.525	.420	.310	.320			
25	.575	.470	.360	.370			
31	.650	.545	.435	.445			
37	.725	.620	.510	.520			
51	.900	.795	.685	.695			
65	1.075	.970	.860	.870	.150	.070	#2-56 THREAD
69	1.125	1.020	.910	.920			
85	1.377	1.246	1.110	1.120			
91	1.452	1.321	1.185	1.195			



SOCKET CONTACT
DRAWN TUBE, CRIMP

* = #2-56 UNC THREAD ON 85 AND 91 POSITION CONNECTORS.
** = OTHER LENGTHS AS REQUIRED

NK-2G2-025-135-TH00
 XX-XXX-XXX-XXX-XXXX

SERIES

NK .025" Metal PC Board Mounted Connector

BODY

2 2-Row

BODY STYLE:

G Plug, vertical mount, plated thru hole (PTH)

BODY MATERIAL:

- 2 Liquid Crystal Polymer w/ electroless nickel shell
- 3 Liquid Crystal Polymer w/ electrodeposited cadmium shell
- 4 Liquid Crystal Polymer w/ stainless steel shell
- 5 Liquid Crystal Polymer w/ titanium shell

SIZE

XXX Number of contacts (009, 015, 021, 025, 031, 037, 051, 065, 069, 085 or 091)

CONTACTS

TYPE CONTACTS/TERMINATIONS:

- 13 Pin, straight, .109"
- 14 Pin, straight, .140"
- 15 Pin, straight, .172"

PLATING OPTIONS:

- 5 50 u" Au contacts; Sn/Pb alloy terminations
- 8 50 u" Au contacts; Tin plated terminations

HARDWARE

STYLE OF HARDWARE:

- 00 None
- TH Threaded hole, #0-80 UNF * **

WIRING OPTIONS:

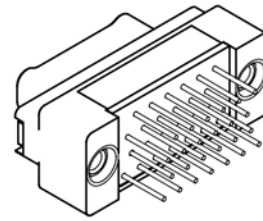
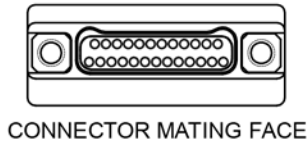
- 00 None

* = #2-56 UNC thread on 85 and 91 position connectors
 .050 hex key (#0-80 thread)
 1/16" hex key (#2-56 thread)
 Recommended torque value 1.0 inch-lbs. max. (#0-80 thread)
 Recommended torque value 2.0 inch-lbs. max. (#2-56 thread)
 Ball end hex wrench not recommended
 Hex wrench key/bit conforming to the requirements of ASME / ANSI-B-18.3 is recommended.
 .050" hex L-key long arm wrench - order AirBorn p/n CDG14148.
 1/16" hex L-key long arm wrench - order AirBorn p/n CDG14160.
 ** = Threaded hole tapped directly into stainless steel and titanium shells, aluminum shells have stainless steel inserts (as shown on previous page).

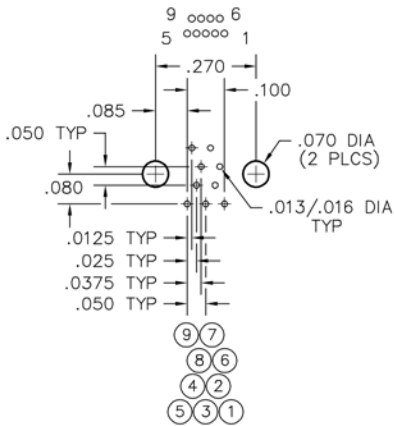
= Option not RoHS compliant

Recommended PC Board Layout

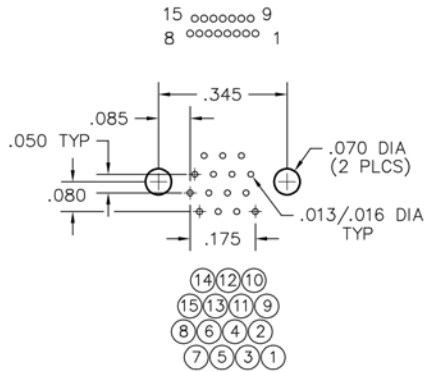
Vertical PTH Plug
FOR REFERENCE ONLY



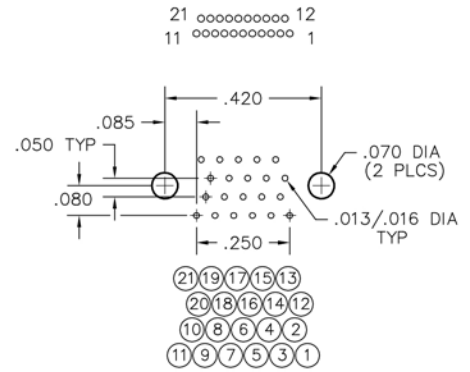
9 POSITION



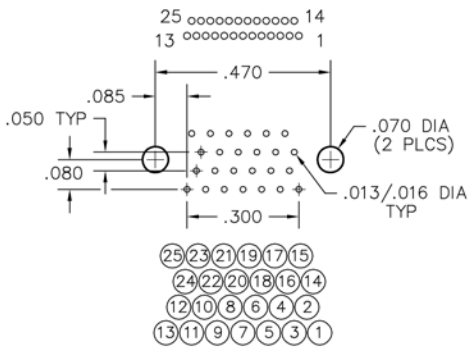
15 POSITION



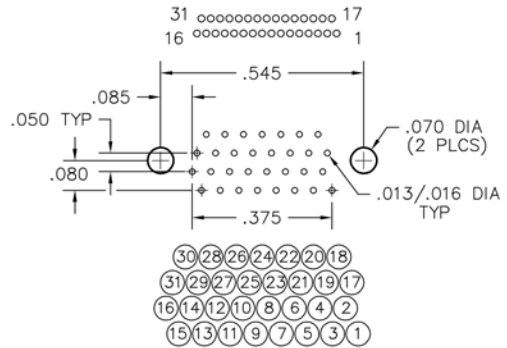
21 POSITION



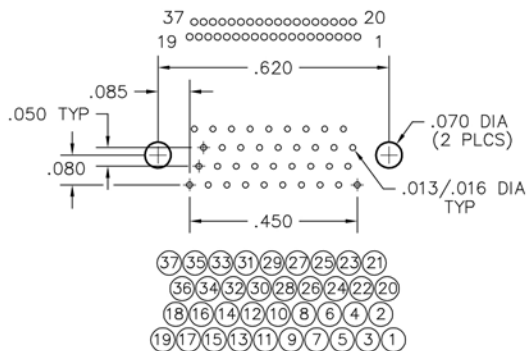
25 POSITION



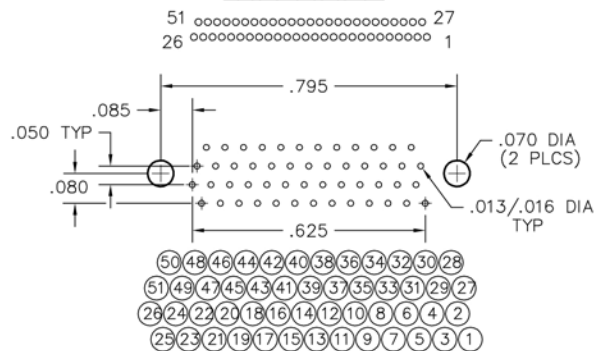
31 POSITION

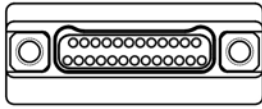


37 POSITION

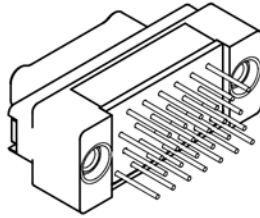


51 POSITION





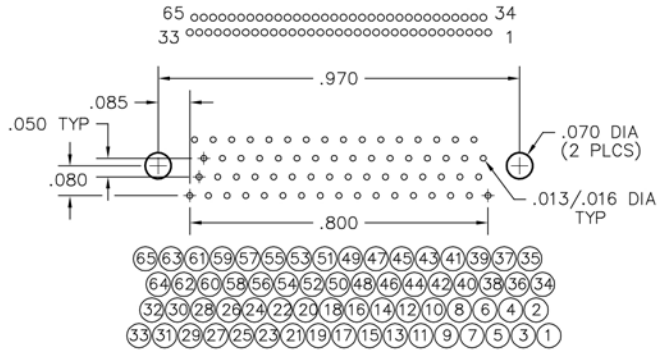
CONNECTOR MATING FACE



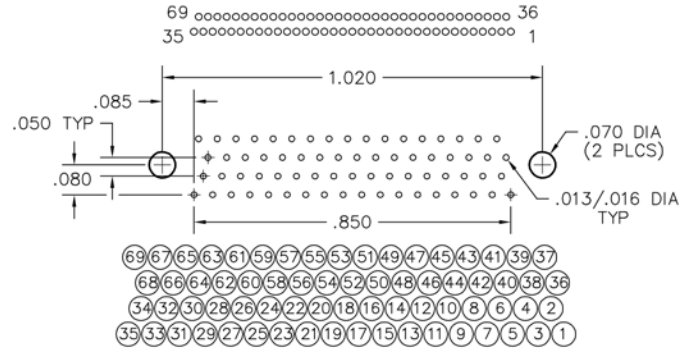
Recommended PC Board Layout

Vertical PTH Plug
FOR REFERENCE ONLY

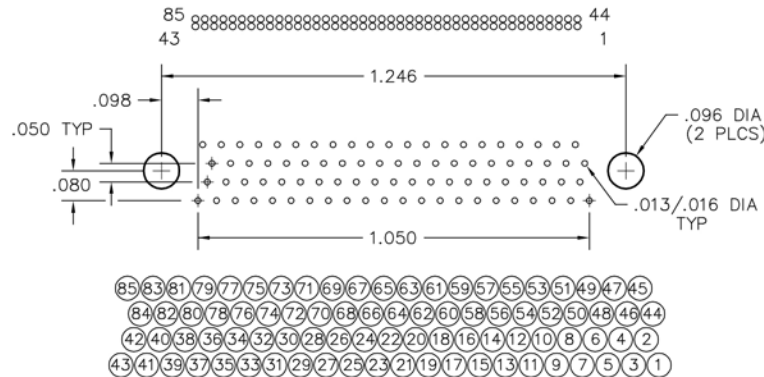
65 POSITION



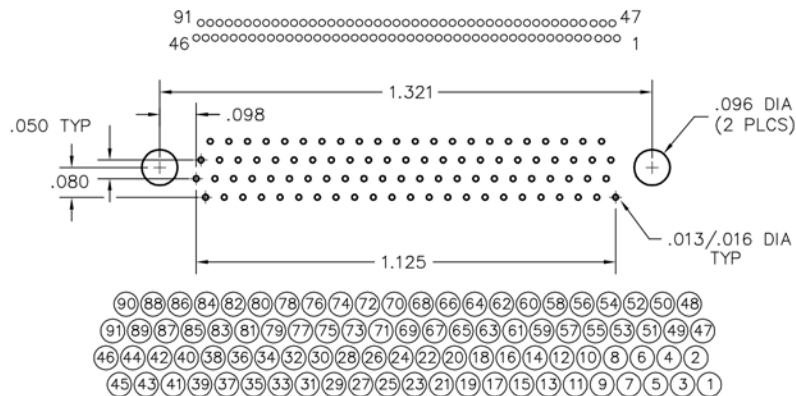
69 POSITION



85 POSITION



91 POSITION

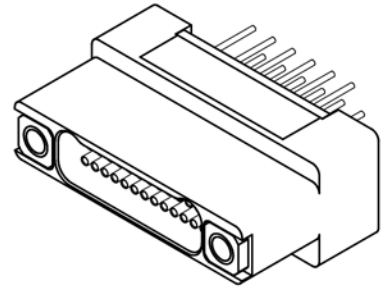
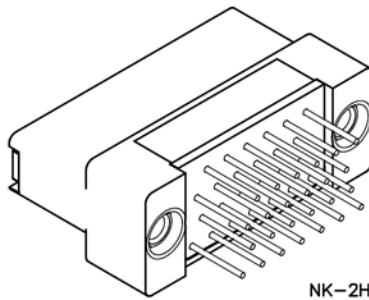


2 · ROW Vertical PTH Receptacle with Fixed Hardware

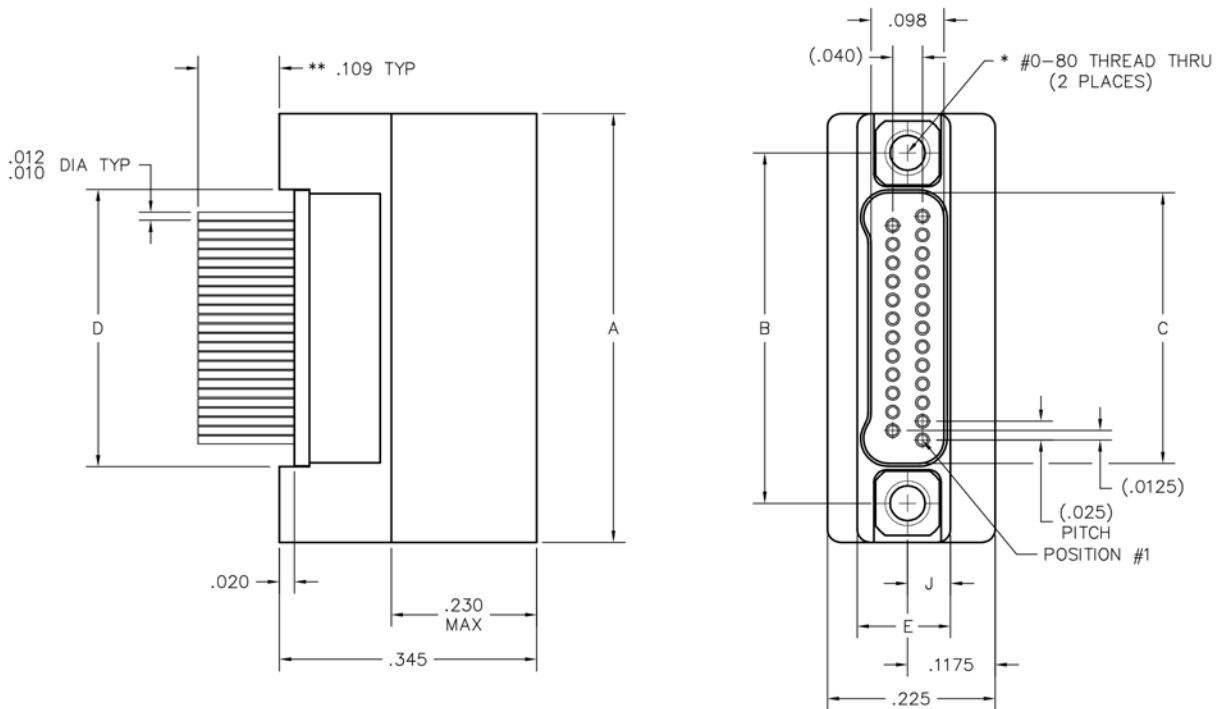
.025"

NK

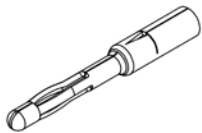
9 thru 91 Contacts



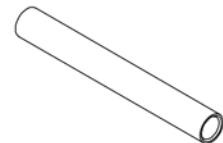
NK-2H2-025-235-TH00
(RCPT)



DIMENSIONS							
SIZE	A	B	C	D	E	J	*HARDWARE
9	.375	.270	.163	.170			
15	.450	.345	.238	.245			
21	.525	.420	.313	.320			
25	.575	.470	.363	.370			
31	.650	.545	.438	.445	.125	.0575	#0-80 THREAD
37	.725	.620	.513	.520			
51	.900	.795	.688	.695			
65	1.075	.970	.863	.870			
69	1.125	1.020	.913	.920			
85	1.377	1.246	1.113	1.120	.150	.070	#2-56 THREAD
91	1.452	1.321	1.188	1.195			



PIN CONTACT
3 TINE SPRING MEMBER, CRIMP



SOCKET CONTACT
DRAWN TUBE, CRIMP

* = #2-56 UNC THREAD ON 85 AND 91 POSITION CONNECTORS.
** = OTHER LENGTHS AS REQUIRED

NK-2H2-025-235-TH00
 XX-XXX-XXX-XXX-XXXX

SERIES

NK .025" Metal PC Board Mounted Connector

BODY

2 2-Row

BODY STYLE:

H Receptacle, vertical mount, plated thru hole (PTH)

BODY MATERIAL:

- 2 Liquid Crystal Polymer w/ electroless nickel shell
- 3 Liquid Crystal Polymer w/ electrodeposited cadmium shell
- 4 Liquid Crystal Polymer w/ stainless steel shell
- 5 Liquid Crystal Polymer w/ titanium shell

SIZE

XXX Number of contacts (009, 015, 021, 025, 031, 037, 051, 065, 069, 085 or 091)

CONTACTS

TYPE CONTACTS/TERMINATIONS:

- 23 Socket, straight, .109"
- 24 Socket, straight, .140"
- 25 Socket, straight, .172"

PLATING OPTIONS:

- 5 50 u" Au contacts; Sn/Pb alloy terminations
- 8 50 u" Au contacts; Tin plated terminations

HARDWARE

STYLE OF HARDWARE:

- 00 None
- TH Threaded hole, #0-80 UNF * **

WIRING OPTIONS:

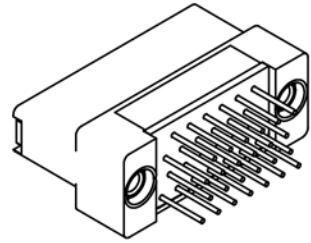
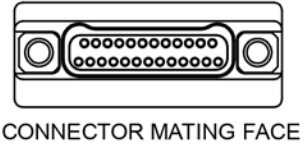
- 00 None

* = #2-56 UNC thread on 85 and 91 position connectors
 .050 hex key (#0-80 thread)
 1/16" hex key (#2-56 thread)
 Recommended torque value 1.0 inch-lbs. max. (#0-80 thread)
 Recommended torque value 2.0 inch-lbs. max. (#2-56 thread)
 Ball end hex wrench not recommended
 Hex wrench key/bit conforming to the requirements of ASME / ANSI-B-18.3 is recommended.
 .050" hex L-key long arm wrench - order AirBorn p/n CDG14148.
 1/16" hex L-key long arm wrench - order AirBorn p/n CDG14160.
 ** = Threaded hole tapped directly into stainless steel and titanium shells, aluminum shells have stainless steel inserts (as shown on previous page).

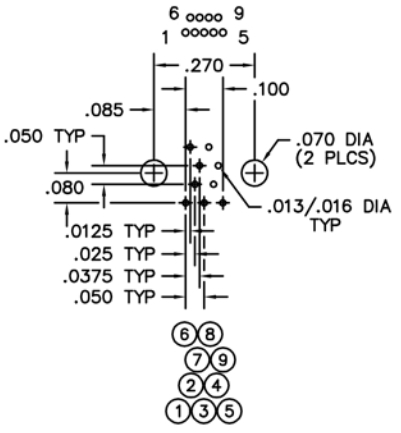
= Option not RoHS compliant

Recommended PC Board Layout

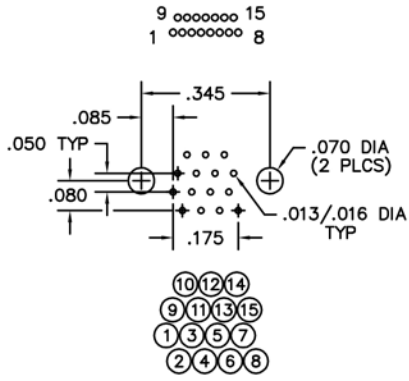
Vertical PTH Receptacle
FOR REFERENCE ONLY



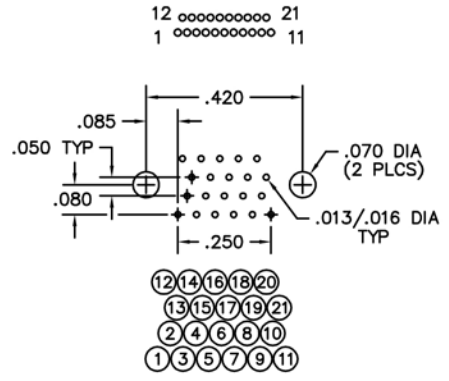
9 POSITION



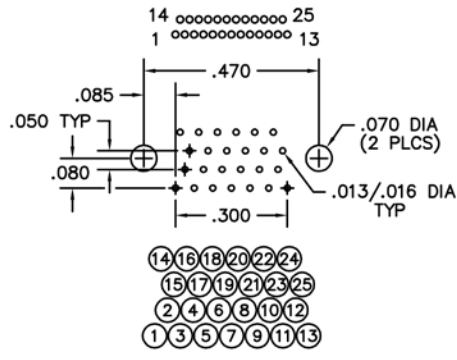
15 POSITION



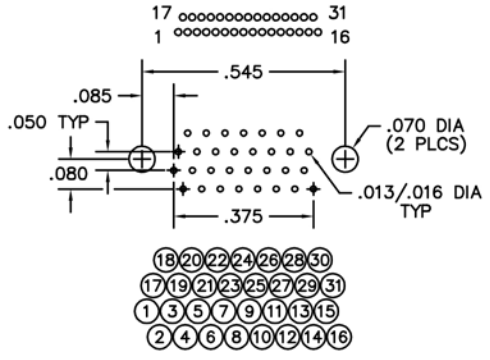
21 POSITION



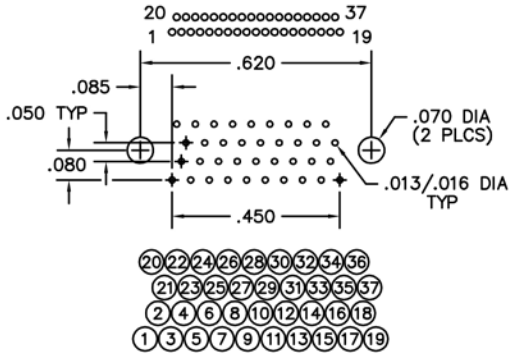
25 POSITION



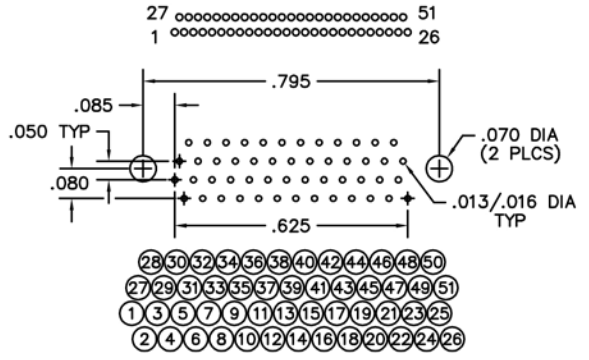
31 POSITION



37 POSITION



51 POSITION



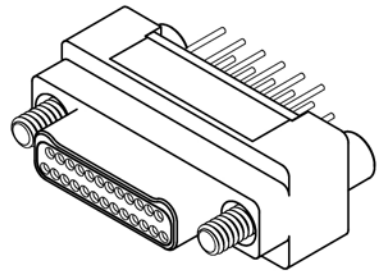
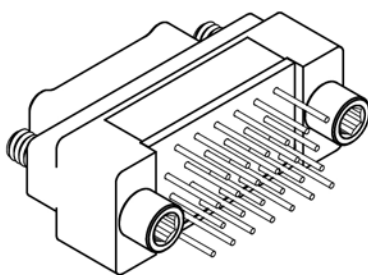


2 · ROW Vertical PTH Plug with Turning Hardware

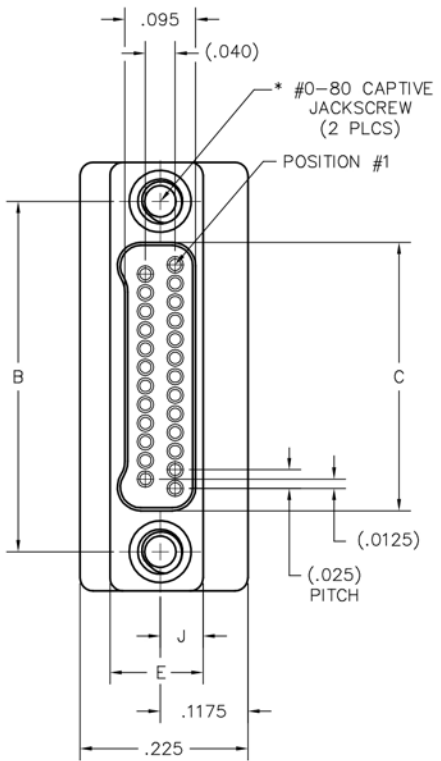
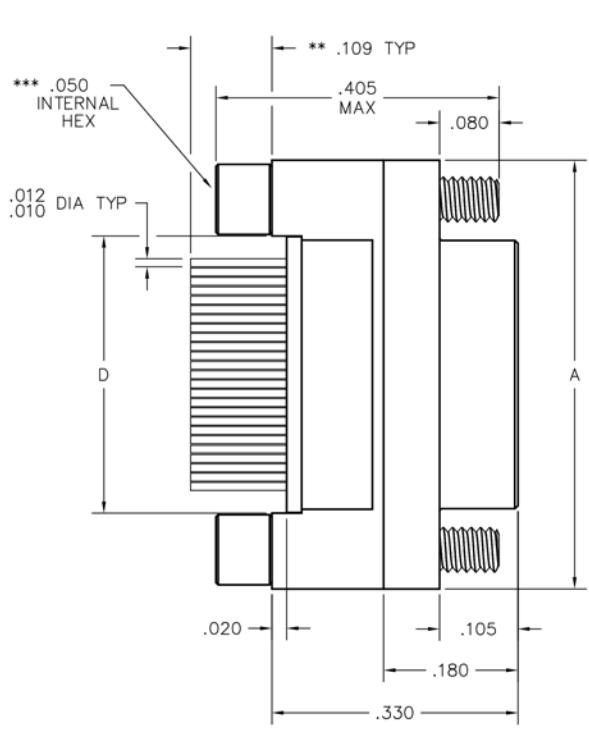
.025"

NK

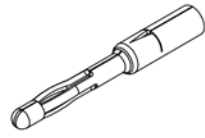
9 thru 91 Contacts



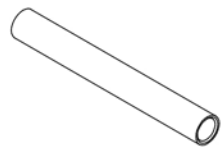
NK-2G2-025-135-JC00
PLUG



DIMENSIONS							
SIZE	A	B	C	D	E	J	*HARDWARE
9	.375	.270	.160	.170	.125	.0575	#0-80 THREAD
15	.450	.345	.235	.245			
21	.525	.420	.310	.320			
25	.575	.470	.360	.370			
31	.650	.545	.435	.445			
37	.725	.620	.510	.520			
51	.900	.795	.685	.695			
65	1.075	.970	.860	.870	.150	.070	#2-56 THREAD
69	1.125	1.020	.910	.920			
85	1.377	1.246	1.110	1.120			
91	1.452	1.321	1.185	1.195			



PIN CONTACT
3 TINE SPRING MEMBER, CRIMP



SOCKET CONTACT
DRAWN TUBE, CRIMP

* = #2-56 UNC THREAD ON 85 AND 91 POSITION CONNECTORS.
 ** = OTHER LENGTHS AS REQUIRED
 *** = 1/16" HEX ON 85 & 91 POSITION CONNECTORS.
 HEX MEASUREMENT TAKEN ACROSS THE FLATS.

NK-2G2-025-135-JC00
 XX-XXX-XXX-XXX-XXXX

SERIES

NK .025" Metal PC Board Mounted Connector

BODY

2 2-Row

BODY STYLE:

G Plug, vertical mount, plated thru hole (PTH)

BODY MATERIAL:

- 2 Liquid Crystal Polymer w/ electroless nickel shell
- 3 Liquid Crystal Polymer w/ electrodeposited cadmium shell
- 4 Liquid Crystal Polymer w/ stainless steel shell
- 5 Liquid Crystal Polymer w/ titanium shell

SIZE

XXX Number of contacts (009, 015, 021, 025, 031, 037, 051, 065, 069, 085 or 091)

CONTACTS

TYPE CONTACTS/TERMINATIONS:

- 13 Pin, straight, .109"
- 14 Pin, straight, .140"
- 15 Pin, straight, .172"

PLATING OPTIONS:

- 5 50 u" Au contacts; Sn/Pb alloy terminations
- 8 50 u" Au contacts; Tin plated terminations

HARDWARE

STYLE OF HARDWARE:

JC #0-80 captive jackscrew *

WIRING OPTIONS:

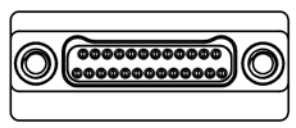
00 None

* = #2-56 UNC thread on 85 and 91 position connectors
 .050 hex key (#0-80 thread)
 1/16" hex key (#2-56 thread)
 Recommended torque value 1.0 inch-lbs. max. (#0-80 thread)
 Recommended torque value 2.0 inch-lbs. max. (#2-56 thread)
 Ball end hex wrench not recommended
 Hex wrench key/bit conforming to the requirements of ASME / ANSI-B-18.3 is recommended.
 .050" hex L-key long arm wrench - order AirBorn p/n CDG14148.
 1/16" hex L-key long arm wrench - order AirBorn p/n CDG14160.

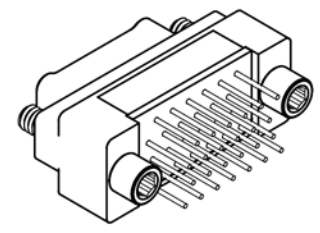
= Option not RoHS compliant

Recommended PC Board Layout

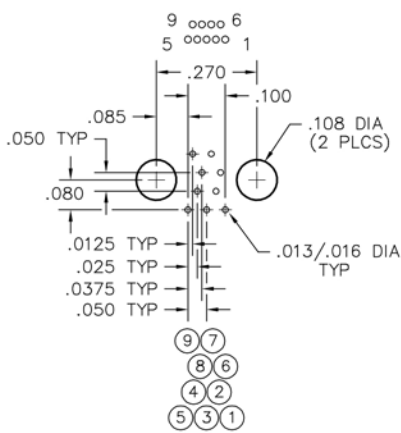
Vertical PTH Plug
with turning hardware
FOR REFERENCE ONLY



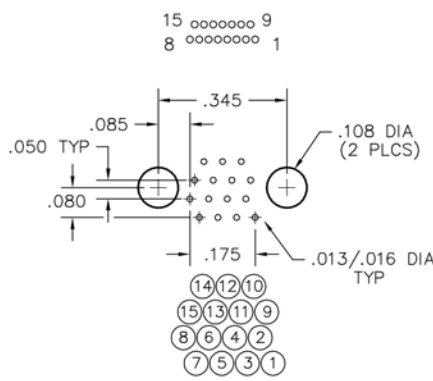
CONNECTOR MATING FACE



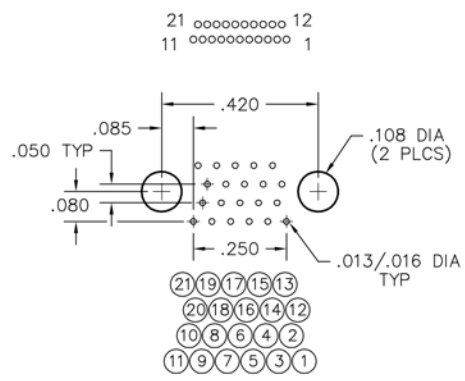
9 POSITION



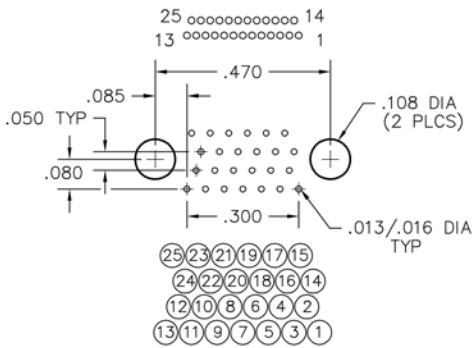
15 POSITION



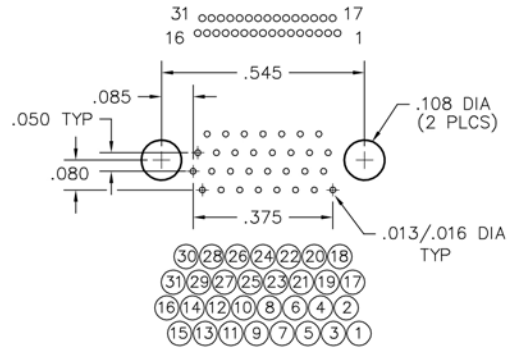
21 POSITION



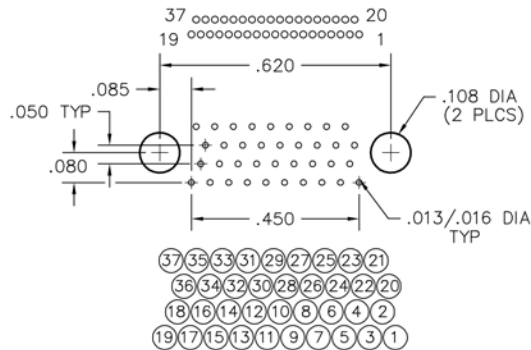
25 POSITION



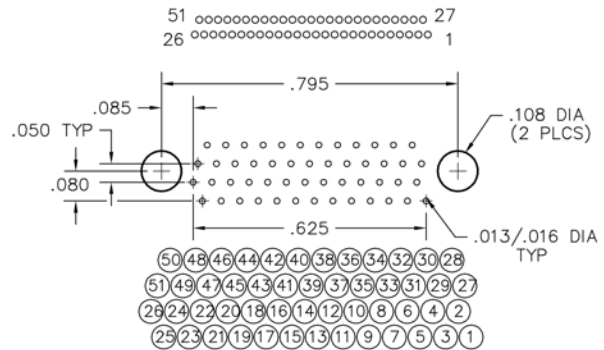
31 POSITION



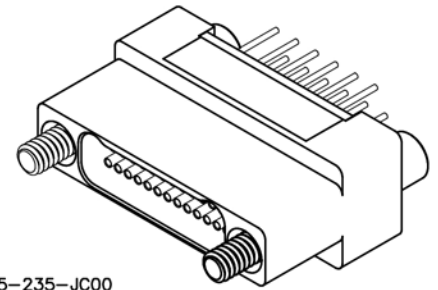
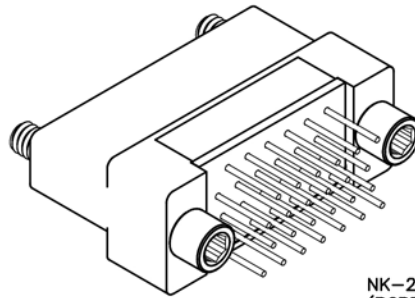
37 POSITION



51 POSITION



2 · ROW Vertical PTH Receptacle with Turning Hardware

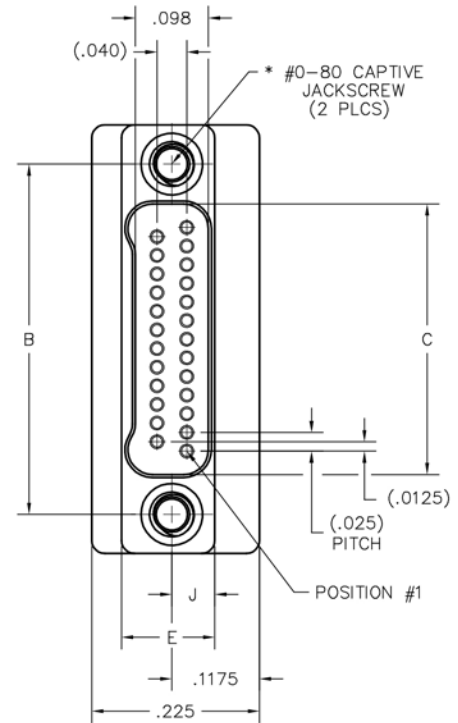
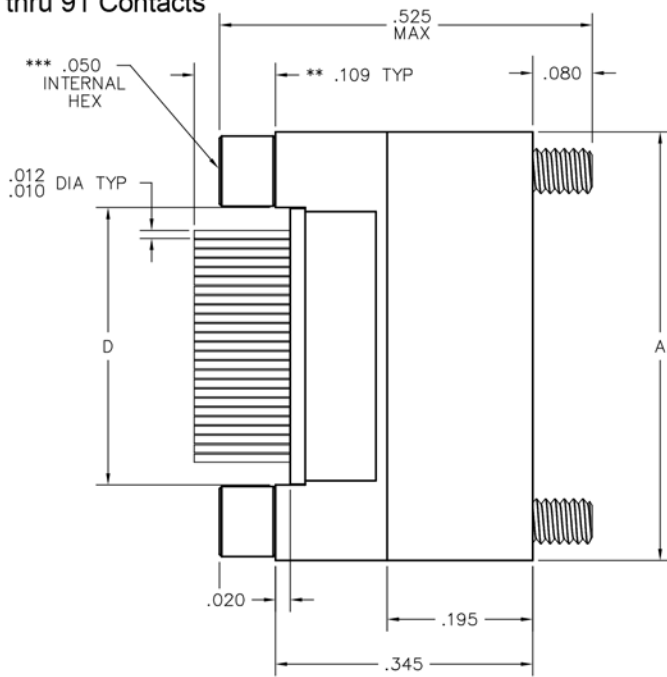


NK-2H2-025-235-JC00
(RCPT)

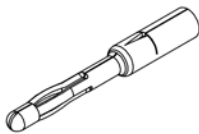
.025"

NK

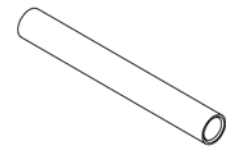
9 thru 91 Contacts



DIMENSIONS							
SIZE	A	B	C	D	E	J	*HARDWARE
9	.375	.270	.163	.170			
15	.450	.345	.238	.245			
21	.525	.420	.313	.320			
25	.575	.470	.363	.370			
31	.650	.545	.438	.445	.125	.0575	#0-80 THREAD
37	.725	.620	.513	.520			
51	.900	.795	.688	.695			
65	1.075	.970	.863	.870			
69	1.125	1.020	.913	.920			
85	1.377	1.246	1.113	1.120			
91	1.452	1.321	1.188	1.195	.150	.070	#2-56 THREAD



PIN CONTACT
3 TINE SPRING MEMBER, CRIMP



SOCKET CONTACT
DRAWN TUBE, CRIMP

- * = #2-56 UNC THREAD ON 85 AND 91 POSITION CONNECTORS.
- ** = OTHER LENGTHS AS REQUIRED
- *** = 1/16" HEX ON 85 & 91 POSITION CONNECTORS.
HEX MEASUREMENT TAKEN ACROSS THE FLATS.



NK-2H2-025-235-JC00
XX-XXX-XXX-XXX-XXXX

SERIES

NK .025" Metal PC Board Mounted Connector

BODY

2 2-Row

BODY STYLE:

H Receptacle, vertical mount, plated thru hole (PTH)

BODY MATERIAL:

- 2 Liquid Crystal Polymer w/ electroless nickel shell
- 3 Liquid Crystal Polymer w/ electrodeposited cadmium shell
- 4 Liquid Crystal Polymer w/ stainless steel shell
- 5 Liquid Crystal Polymer w/ titanium shell

SIZE

XXX Number of contacts (009, 015, 021, 025, 031, 037, 051, 065, 069, 085 or 091)

CONTACTS

TYPE CONTACTS/TERMINATIONS:

- 23 Socket, straight, .109"
- 24 Socket, straight, .140"
- 25 Socket, straight, .172"

PLATING OPTIONS:

- 5 50 u" Au contacts; Sn/Pb alloy terminations
- 8 50 u" Au contacts; Tin plated terminations

HARDWARE

STYLE OF HARDWARE:

JC #0-80 captive jackscrew *

WIRING OPTIONS:

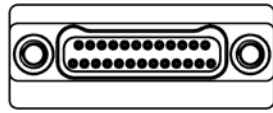
00 None

* = #2-56 UNC thread on 85 and 91 position connectors
 .050 hex key (#0-80 thread)
 1/16" hex key (#2-56 thread)
 Recommended torque value 1.0 inch-lbs. max. (#0-80 thread)
 Recommended torque value 2.0 inch-lbs. max. (#2-56 thread)
 Ball end hex wrench not recommended
 Hex wrench key/bit conforming to the requirements of ASME / ANSI-B-18.3 is recommended.
 .050" hex L-key long arm wrench - order AirBorn p/n CDG14148.
 1/16" hex L-key long arm wrench - order AirBorn p/n CDG14160.

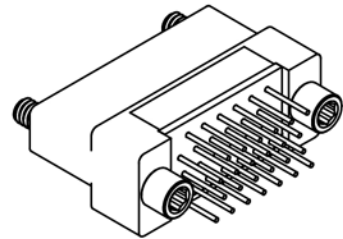
= Option not RoHS compliant

Recommended PC Board Layout

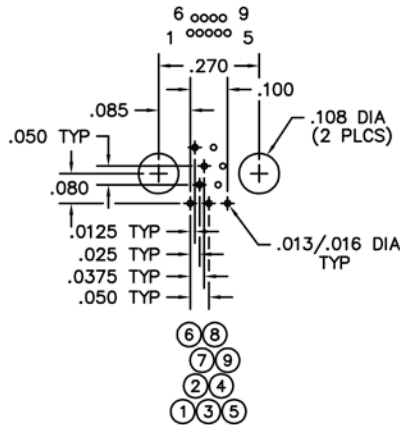
Vertical PTH Receptacle with turning hardware
FOR REFERENCE ONLY



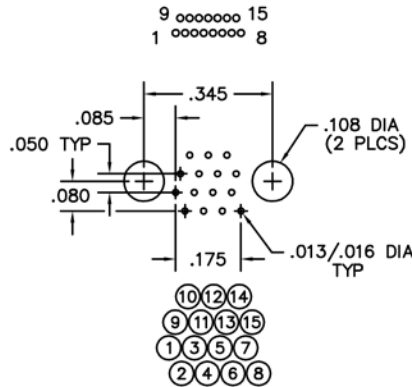
CONNECTOR MATING FACE



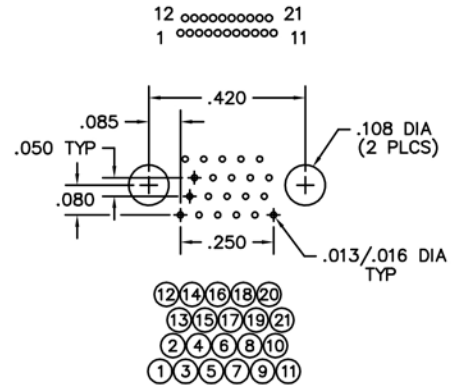
9 POSITION



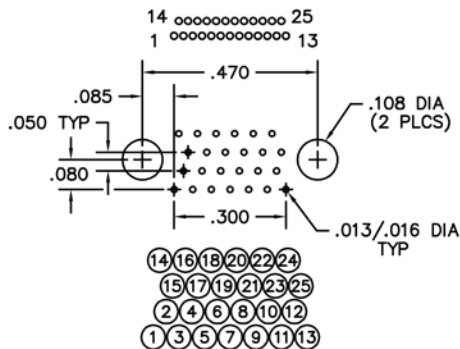
15 POSITION



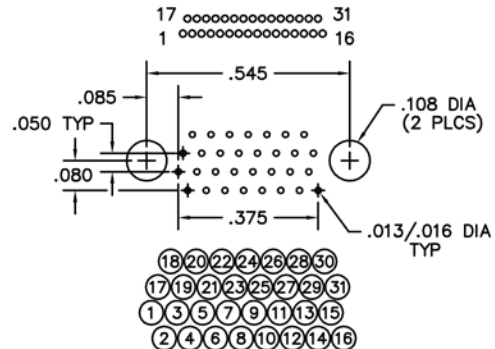
21 POSITION



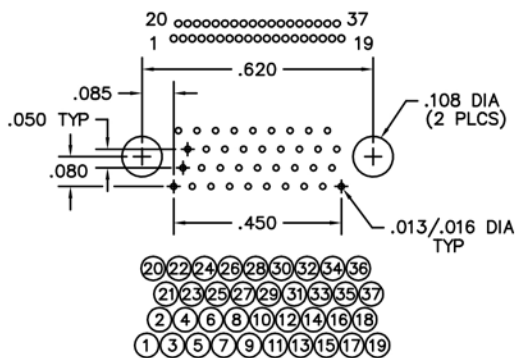
25 POSITION



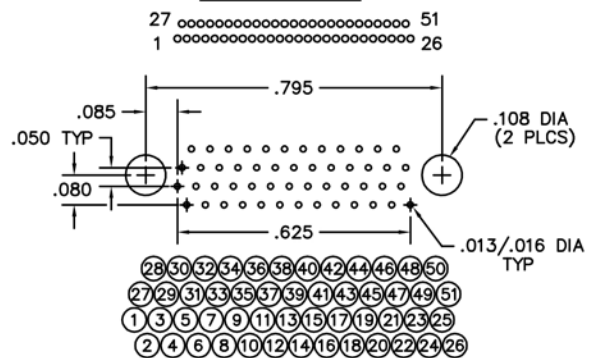
31 POSITION

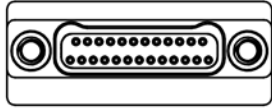


37 POSITION

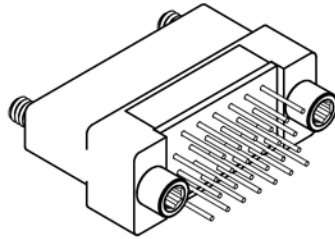


51 POSITION





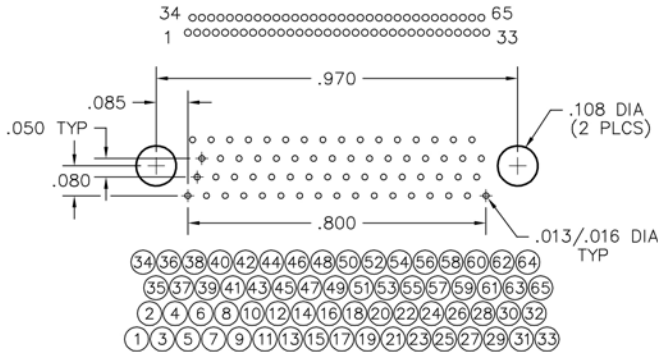
CONNECTOR MATING FACE



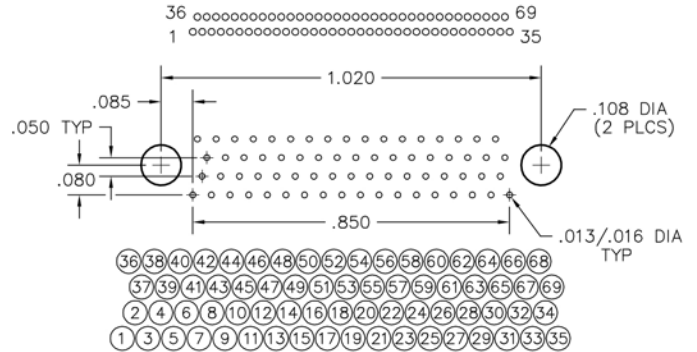
Recommended PC Board Layout

Vertical PTH Receptacle with turning hardware FOR REFERENCE ONLY

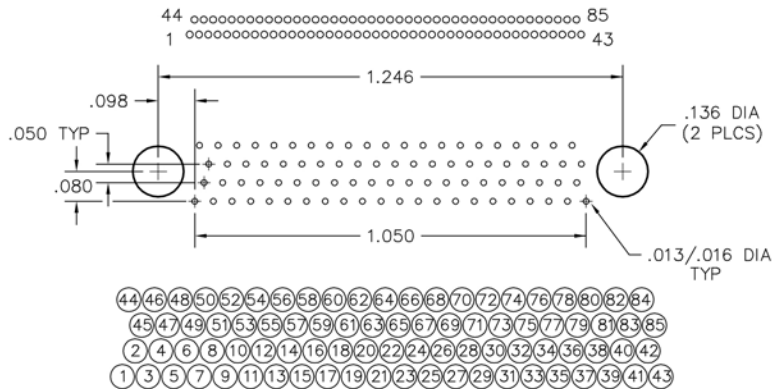
65 POSITION



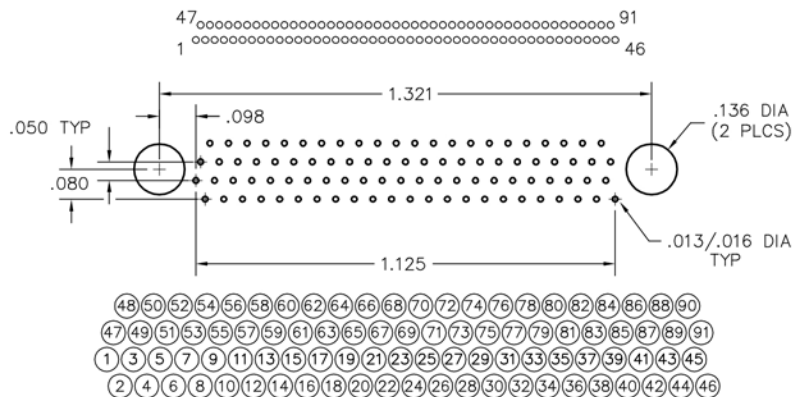
69 POSITION



85 POSITION

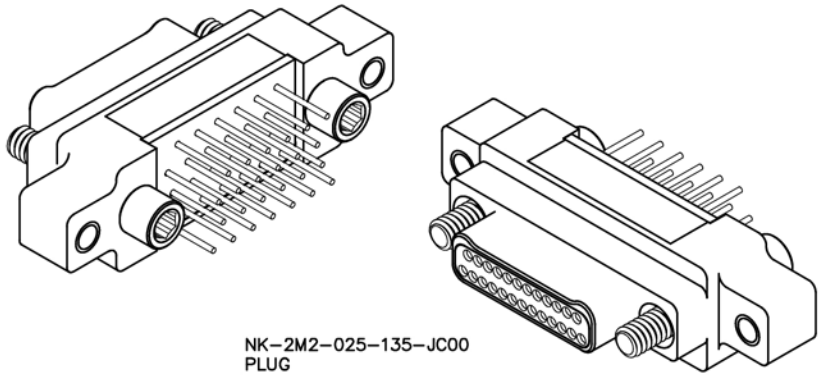


91 POSITION



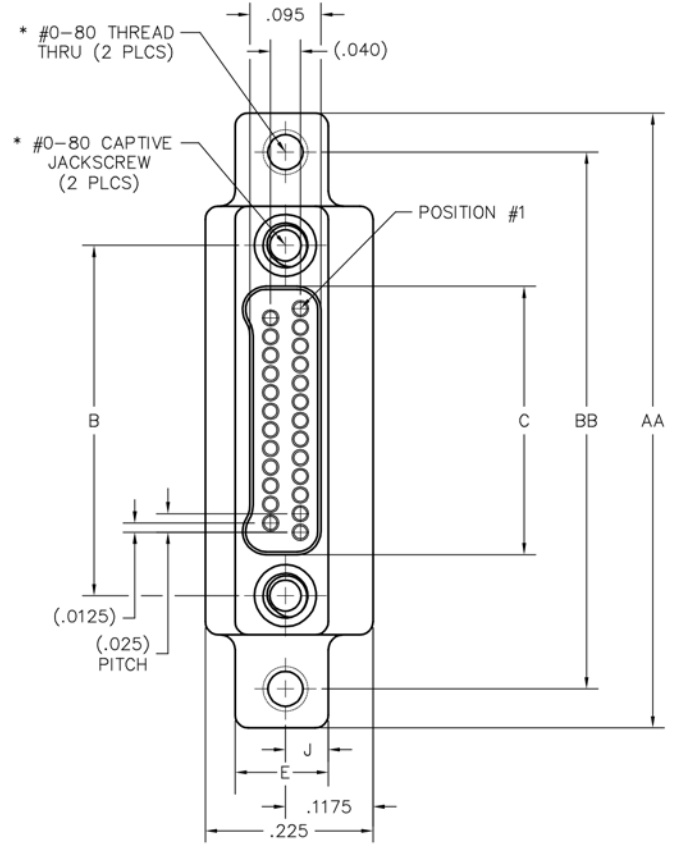
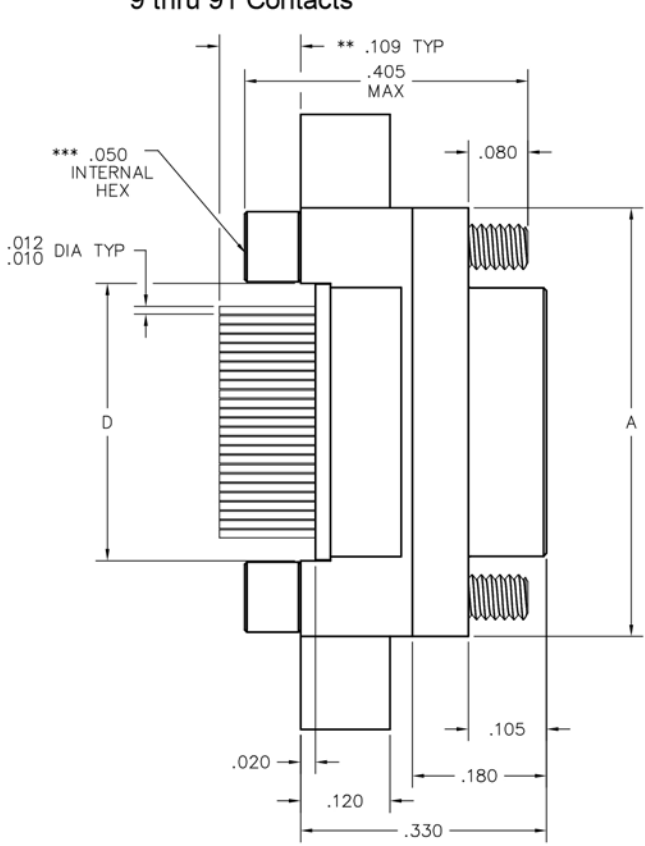


2 · ROW Vertical PTH Plug with Turning Hardware and Mounting Ears

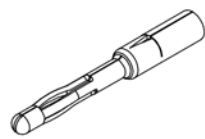


.025"
NK
9 thru 91 Contacts

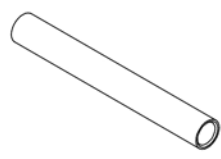
NK-2M2-025-135-JC00
PLUG



DIMENSIONS									
SIZE	A	B	AA	BB	C	D	E	J	*HARDWARE
9	.375	.270	.625	.520	.160	.170			
15	.450	.345	.700	.595	.235	.245			
21	.525	.420	.775	.670	.310	.320			
25	.575	.470	.825	.720	.360	.370			
31	.650	.545	.900	.795	.435	.445	.125	.0575	#0-80 THREAD
37	.725	.620	.975	.870	.510	.520			
51	.900	.795	1.150	1.045	.685	.695			
65	1.075	.970	1.325	1.220	.860	.870			
69	1.125	1.020	1.375	1.270	.910	.920			
85	1.377	1.246	1.679	1.546	1.110	1.120	.150	.070	#2-56 THREAD
91	1.452	1.321	1.754	1.621	1.185	1.195			



PIN CONTACT
3 TINE SPRING MEMBER, CRIMP



SOCKET CONTACT
DRAWN TUBE, CRIMP

* = #2-56 UNC THREAD ON 85 & 91 POSITION CONNECTORS.
 ** = OTHER LENGTHS AS REQUIRED
 *** = 1/16" HEX ON 85 & 91 POSITION CONNECTORS.
 HEX MEASUREMENT TAKEN ACROSS THE FLATS.



NK-2M2-025-135-JC00
XX-XXX-XXX-XXX-XXXX

SERIES

NK .025" Metal PC Board Mounted Connector

BODY

2 2-Row

BODY STYLE:

M Plug, vertical mount, plated thru hole (PTH) with mounting ears

BODY MATERIAL:

- 2 Liquid Crystal Polymer w/ electroless nickel shell
- 3 Liquid Crystal Polymer w/ electrodeposited cadmium shell
- 4 Liquid Crystal Polymer w/ stainless steel shell
- 5 Liquid Crystal Polymer w/ titanium shell

SIZE

XXX Number of contacts (009, 015, 021, 025, 031, 037, 051, 065, 069, 085 or 91)

CONTACTS

TYPE CONTACTS/TERMINATIONS:

- 13 Pin, straight, .109"
- 14 Pin, straight, .140"
- 15 Pin, straight, .172"

PLATING OPTIONS:

- 5 50 u" Au contacts; Sn/Pb alloy terminations
- 8 50 u" Au contacts; Tin plated terminations

HARDWARE

STYLE OF HARDWARE:

JC #0-80 captive jackscrew *

WIRING OPTIONS:

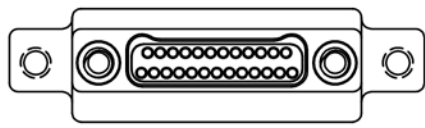
00 None

* = #2-56 UNC thread on 85 position connectors
 .050 hex key (#0-80 thread)
 1/16" hex key (#2-56 thread)
 Recommended torque value 1.0 inch-lbs. max. (#0-80 thread)
 Recommended torque value 2.0 inch-lbs. max. (#2-56 thread)
 Ball end hex wrench not recommended
 Hex wrench key/bit conforming to the requirements of ASME / ANSI-B-18.3 is recommended.
 .050" hex L-key long arm wrench - order AirBorn p/n CDG14148.
 1/16" hex L-key long arm wrench - order AirBorn p/n CDG14160.

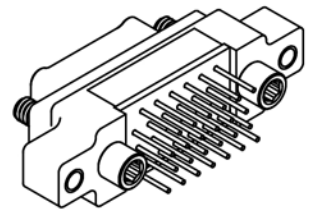
= Option not RoHS compliant

Recommended PC Board Layout

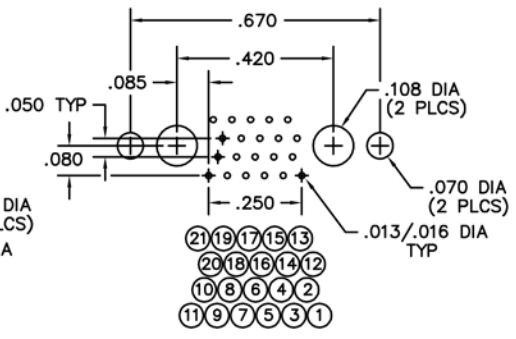
Vertical PTH Plug with turning hardware and mounting ears
FOR REFERENCE ONLY



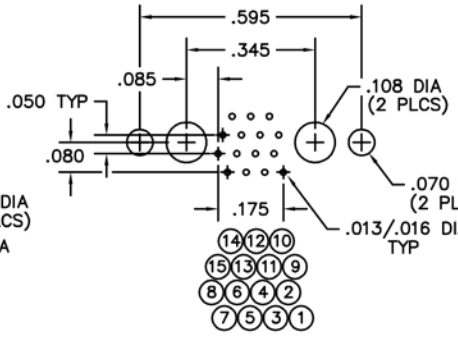
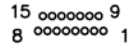
CONNECTOR MATING FACE



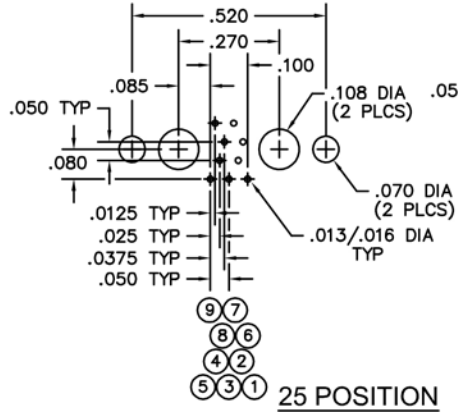
21 POSITION



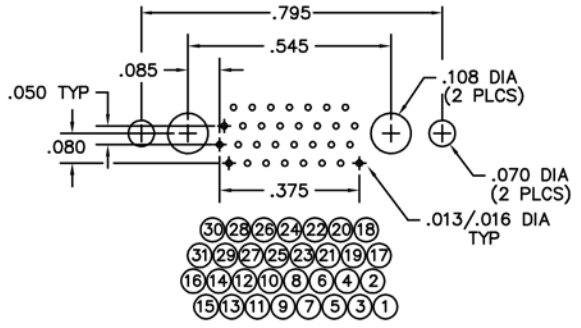
15 POSITION



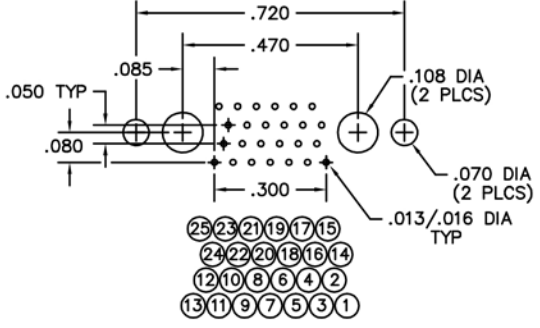
9 POSITION



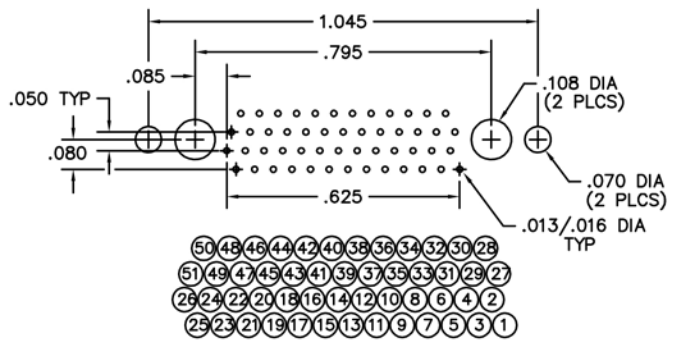
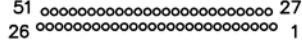
31 POSITION



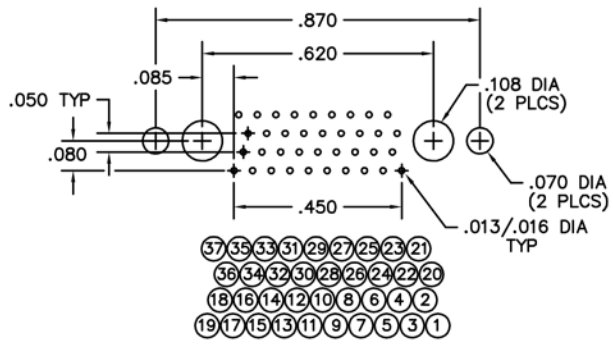
25 POSITION



51 POSITION



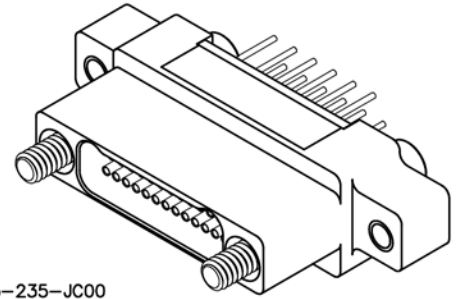
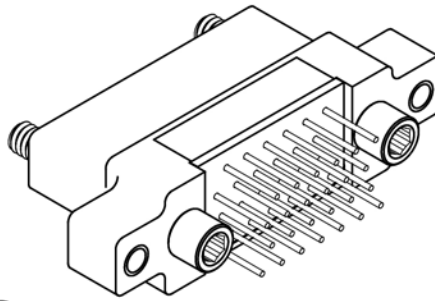
37 POSITION



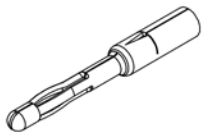
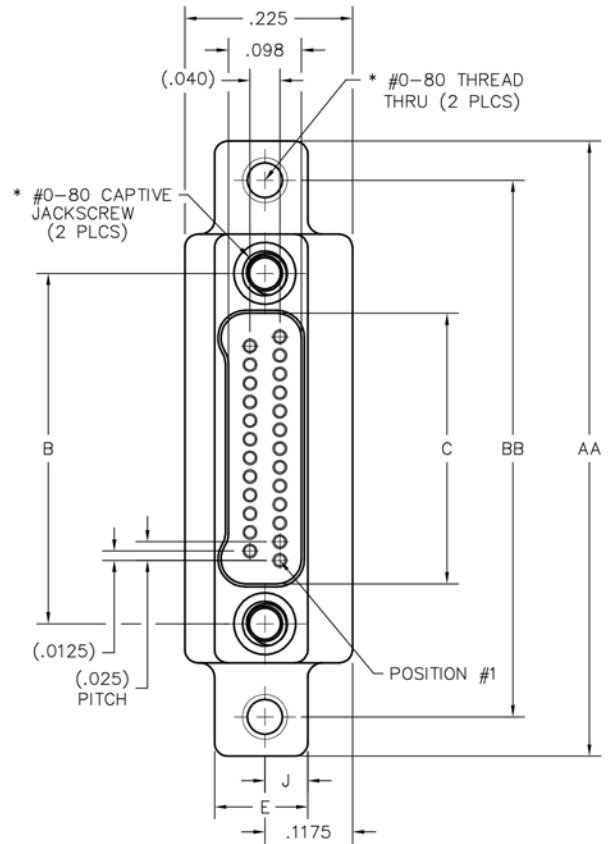
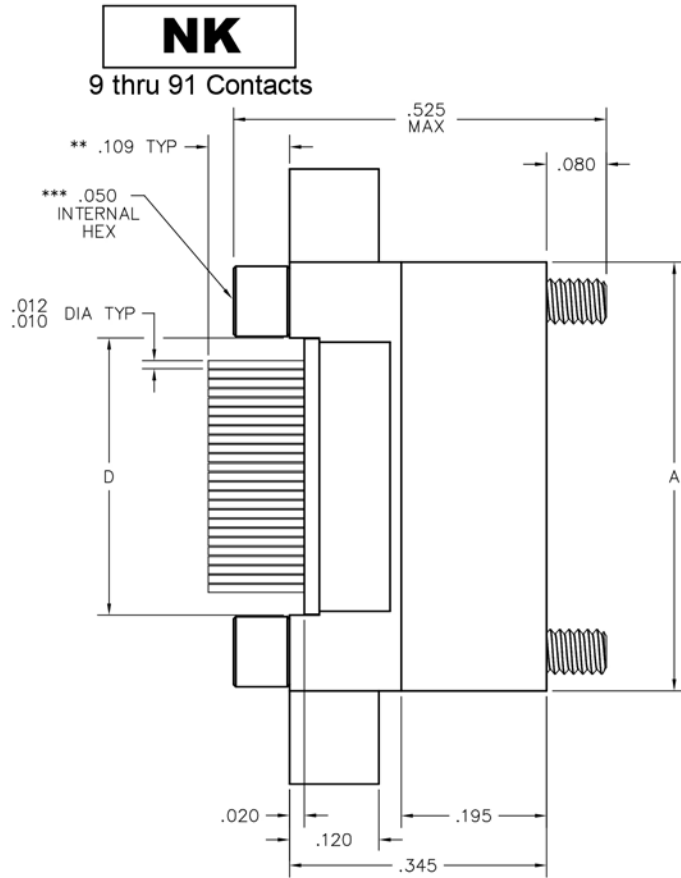


2 · ROW Vertical PTH Receptacle with Turning Hardware and Mounting Ears

.025"

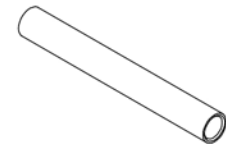


NK-2N2-025-235-JC00
RECEPTACLE



PIN CONTACT
3 TINE SPRING MEMBER, CRIMP

DIMENSIONS									
SIZE	A	B	AA	BB	C	D	E	J	*HARDWARE
9	.375	.270	.625	.520	.163	.170			
15	.450	.345	.700	.595	.238	.245			
21	.525	.420	.775	.670	.313	.320			
25	.575	.470	.825	.720	.363	.370			
31	.650	.545	.900	.795	.438	.445	.125	.0575	#0-80 THREAD
37	.725	.620	.975	.870	.513	.520			
51	.900	.795	1.150	1.045	.688	.695			
65	1.075	.970	1.325	1.220	.863	.870			
69	1.125	1.020	1.375	1.270	.913	.920			
85	1.377	1.246	1.679	1.546	1.113	1.120	.150	.070	#2-56 THREAD
91	1.452	1.321	1.754	1.621	1.188	1.195			



SOCKET CONTACT
DRAWN TUBE, CRIMP

* = #2-56 UNC THREAD ON 85 & 91 POSITION CONNECTORS.
 ** = OTHER LENGTHS AS REQUIRED
 *** = 1/16" HEX ON 85 & 91 POSITION CONNECTORS.
 HEX MEASUREMENT TAKEN ACROSS THE FLATS.



NK-2N2-025-235-JC00
XX-XXX-XXX-XXX-XXXX

SERIES

NK .025" Metal PC Board Mounted Connector

BODY

2 2-Row

BODY STYLE:

N Receptacle, vertical mount, plated thru hole (PTH) with mounting ears

BODY MATERIAL:

- 2 Liquid Crystal Polymer w/ electroless nickel shell
- 3 Liquid Crystal Polymer w/ electrodeposited cadmium shell
- 4 Liquid Crystal Polymer w/ stainless steel shell
- 5 Liquid Crystal Polymer w/ titanium shell

SIZE

XXX Number of contacts (009, 015, 021, 025, 031, 037, 051, 065, 069, 085 or 091)

CONTACTS

TYPE CONTACTS/TERMINATIONS:

- 23 Socket, straight, .109"
- 24 Socket, straight, .140"
- 25 Socket, straight, .172"

PLATING OPTIONS:

- 5 50 u" Au contacts; Sn/Pb alloy terminations
- 8 50 u" Au contacts; Tin plated terminations

HARDWARE

STYLE OF HARDWARE:

JC #0-80 captive jackscrew *

WIRING OPTIONS:

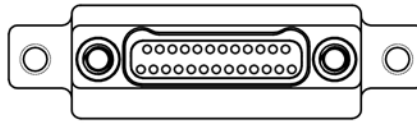
00 None

* = #2-56 UNC thread on 85 position connectors
 .050 hex key (#0-80 thread)
 1/16" hex key (#2-56 thread)
 Recommended torque value 1.0 inch-lbs. max. (#0-80 thread)
 Recommended torque value 2.0 inch-lbs. max. (#2-56 thread)
 Ball end hex wrench not recommended
 Hex wrench key/bit conforming to the requirements of ASME / ANSI-B-18.3 is recommended.
 .050" hex L-key long arm wrench - order AirBorn p/n CDG14148.
 1/16" hex L-key long arm wrench - order AirBorn p/n CDG14160.

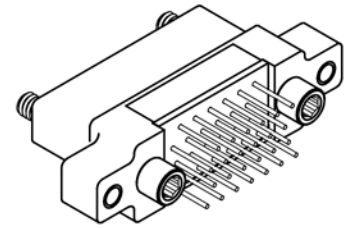
= Option not RoHS compliant

Recommended PC Board Layout

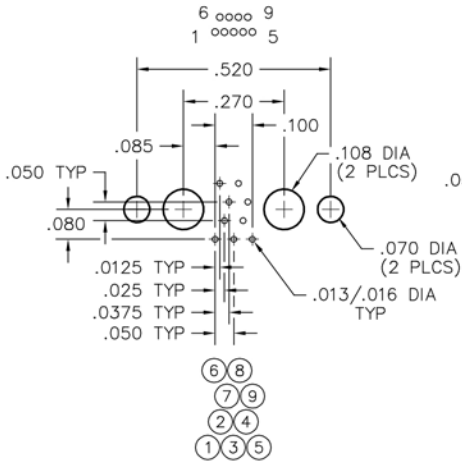
Vertical PTH Receptacle with turning hardware and mounting ears
FOR REFERENCE ONLY



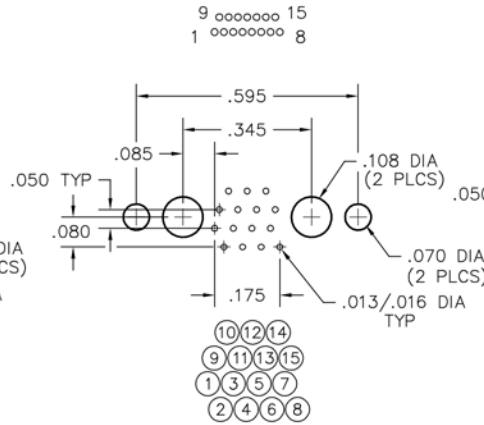
CONNECTOR MATING FACE



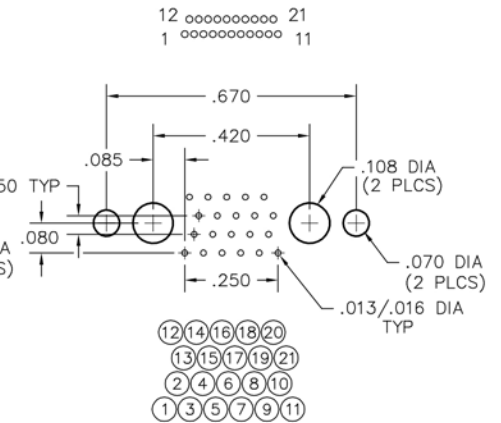
9 POSITION



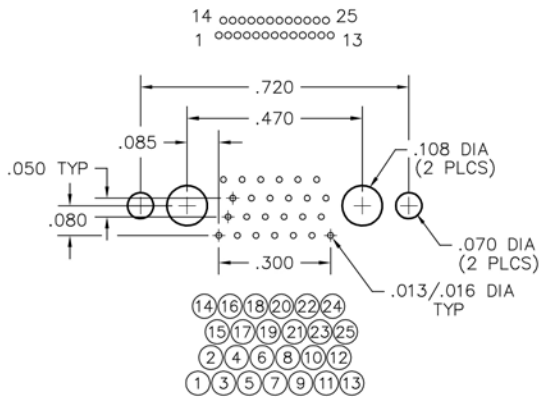
15 POSITION



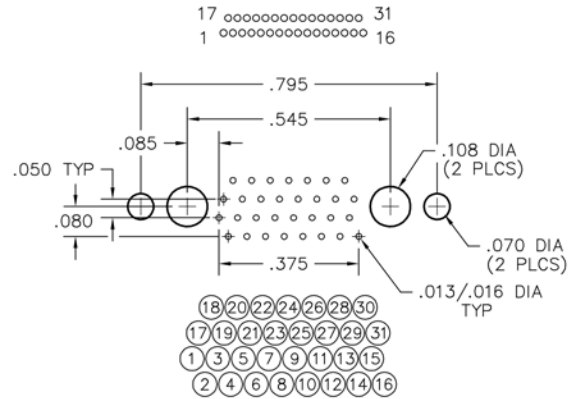
21 POSITION



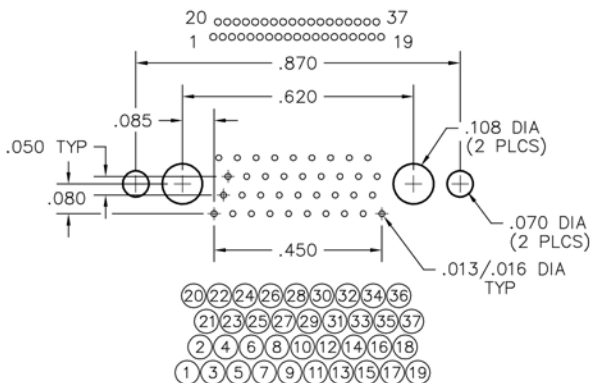
25 POSITION



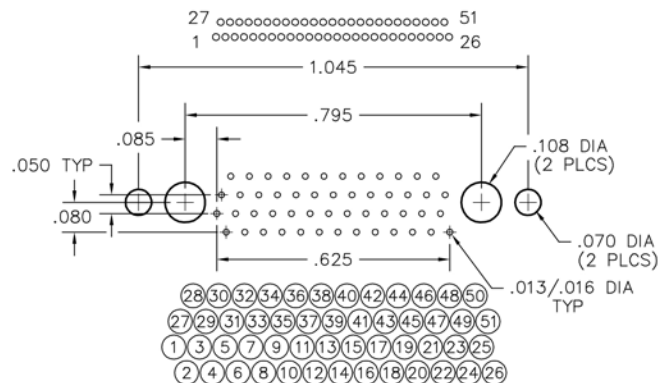
31 POSITION



37 POSITION



51 POSITION

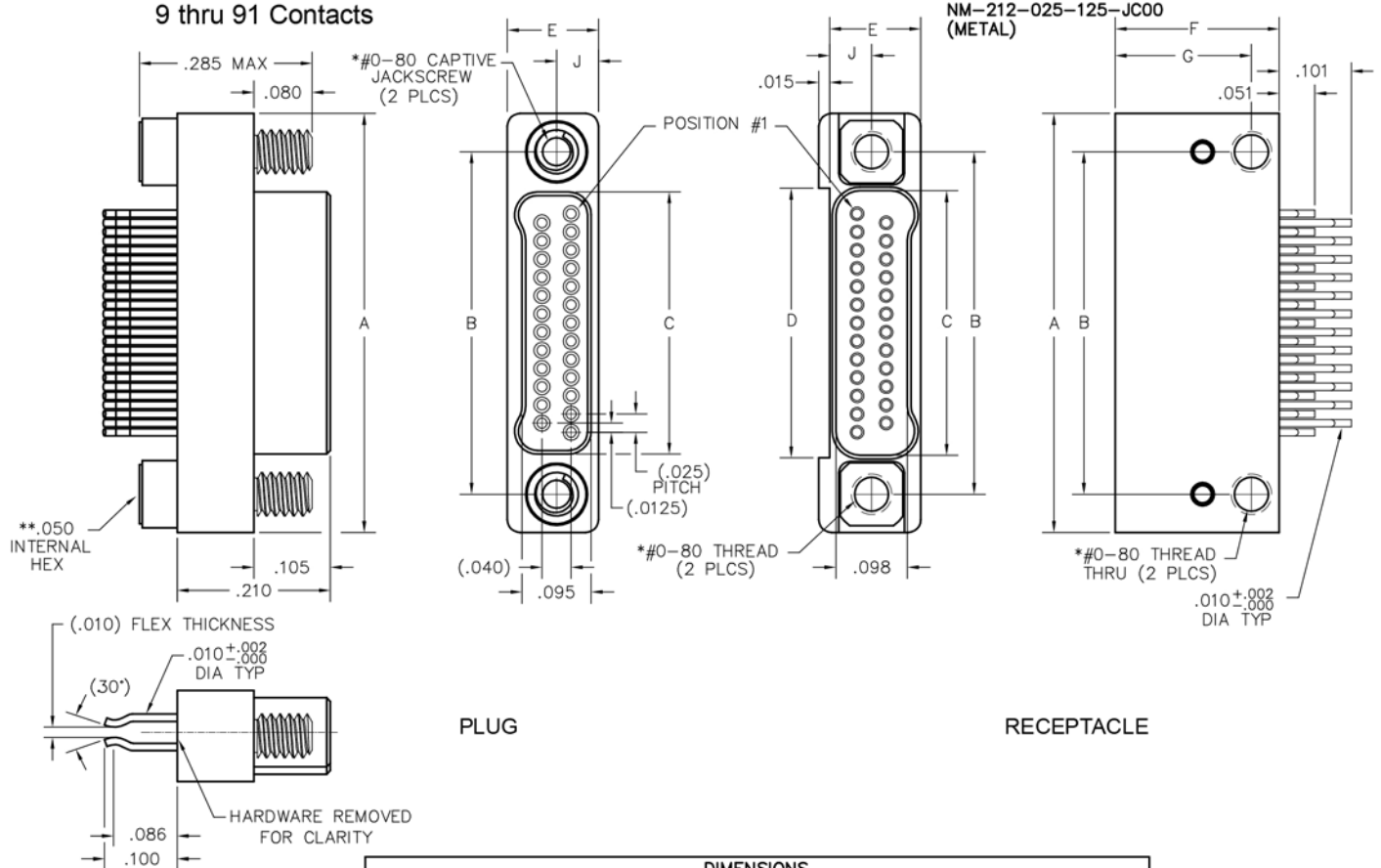
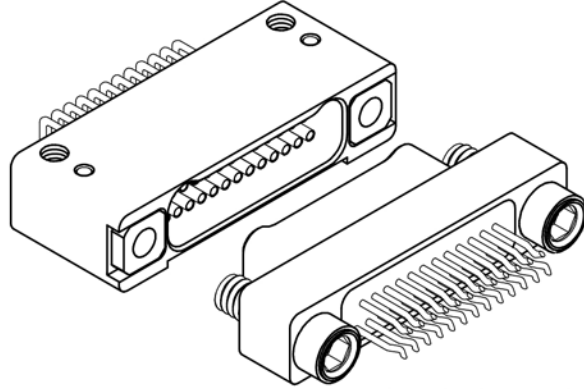


NK-2D2-025-225-TH00
(METAL)

2 · ROW
FLEX TO
BOARD
.025"

NM, NK

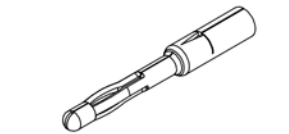
9 thru 91 Contacts



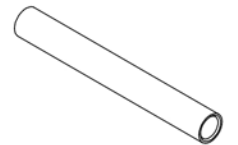
PLUG

RECEPTACLE

SIZE	A	B	C		D	E	F	G	J	*HARDWARE
			PLUG	RCPT						
9	.375	.270	.160	.163	.170					
15	.450	.345	.235	.238	.245					
21	.525	.420	.310	.313	.320					
25	.575	.470	.360	.363	.370					
31	.650	.545	.435	.438	.445	.125	.225	.187	.0575	#0-80 THREAD
37	.725	.620	.510	.513	.520					
51	.900	.795	.685	.688	.695					
65	1.075	.970	.860	.863	.870					
69	1.125	1.020	.910	.913	.920					
85	1.377	1.246	1.110	1.113	1.120	.150	.270	.210	.0700	#2-56 THREAD
91	1.452	1.321	1.185	1.188	1.195					



PIN CONTACT
3 TINE SPRING MEMBER, CRIMP



SOCKET CONTACT
DRAWN TUBE, CRIMP

* = #2-56 UNC THREAD ON 85, 91 POSITION CONNECTORS.
** = 1/16" HEX ON 85 POSITION CONNECTORS. HEX MEASUREMENTS TAKEN ACROSS THE FLATS.



PLUG: NM-212-025-125-JC00
RECEPTACLE: NK-2D2-025-225-TH00
 XX-XXX-XXX-XXX-XXXX

PLUG	RECEPTACLE
SERIES	

NM .025" Metal Straddle Mount Flex Connector	NK .025" Metal PC Board Mounted Connector
--	---

BODY	
-------------	--

2 2-Row	2 2-Row
---------	---------

BODY STYLE: 1 Plug, straight	BODY STYLE: D Receptacle, horizontal mount SMT
--	--

BODY MATERIAL: 2 Liquid Crystal Polymer w/ electroless nickel shell 3 Liquid Crystal Polymer w/ electrodeposited cadmium shell <input checked="" type="checkbox"/> 4 Liquid Crystal Polymer w/ stainless steel shell 5 Liquid Crystal Polymer w/ titanium shell	BODY MATERIAL: 2 Liquid Crystal Polymer w/ electroless nickel shell 3 Liquid Crystal Polymer w/ electrodeposited cadmium shell <input checked="" type="checkbox"/> 4 Liquid Crystal Polymer w/ stainless steel shell 5 Liquid Crystal Polymer w/ titanium shell
--	--

SIZE	
-------------	--

XXXX Number of contacts (009, 015, 021, 025, 031, 037, 051, 065, 069, 085 or 091)	XXXX Number of contacts (009, 015, 021, 025, 031, 037, 051, 065, 069, 085 or 91)
---	--

CONTACTS	
-----------------	--

TYPE CONTACTS/TERMINATIONS: 12 Pin, straddle SMT	TYPE CONTACTS/TERMINATIONS: 22 Socket, SMT
--	--

PLATING OPTIONS: 5 50 u" Au contacts; Sn/Pb alloy terminations <input checked="" type="checkbox"/> 8 50 u" Au contacts; Tin plated terminations	PLATING OPTIONS: 5 50 u" Au contacts; Sn/Pb alloy terminations <input checked="" type="checkbox"/> 8 50 u" Au contacts; Tin plated terminations
--	--

HARDWARE	
-----------------	--

STYLE OF HARDWARE: 00 None JC Turning jackscrews, captivated #0-80 UNF*	STYLE OF HARDWARE: 00 None TH Threaded hole, #0-80 UNF * **
--	--

WIRING OPTIONS: 00 None	WIRING OPTIONS: 00 None
-----------------------------------	-----------------------------------

* = #2-56 UNC thread on 85, 91 position connectors
 .050 hex key (#0-80 thread)
 1/16" hex key (#2-56 thread)
 Recommended torque value 1.0 inch-lbs. max. (#0-80 thread)
 Recommended torque value 2.0 inch-lbs. max. (#2-56 thread)
 Ball end hex wrench not recommended
 Hex wrench key/bit conforming to the requirements of ASME / ANSI-B-18.3 is recommended.
 .050" hex L-key long arm wrench - order AirBorn p/n CDG14148.
 1/16" hex L-key long arm wrench - order AirBorn p/n CDG14160.

** = Threaded hole tapped directly into stainless steel and titanium shells, aluminum shells have stainless steel inserts (as shown on previous page).

= Option not RoHS compliant

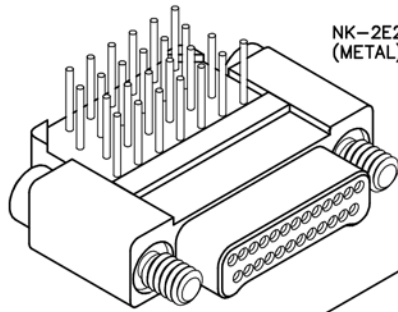


2 · ROW FLEX TO BOARD

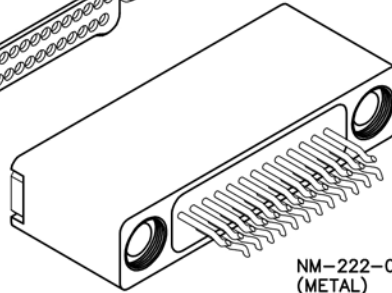
.025"

NM, NK

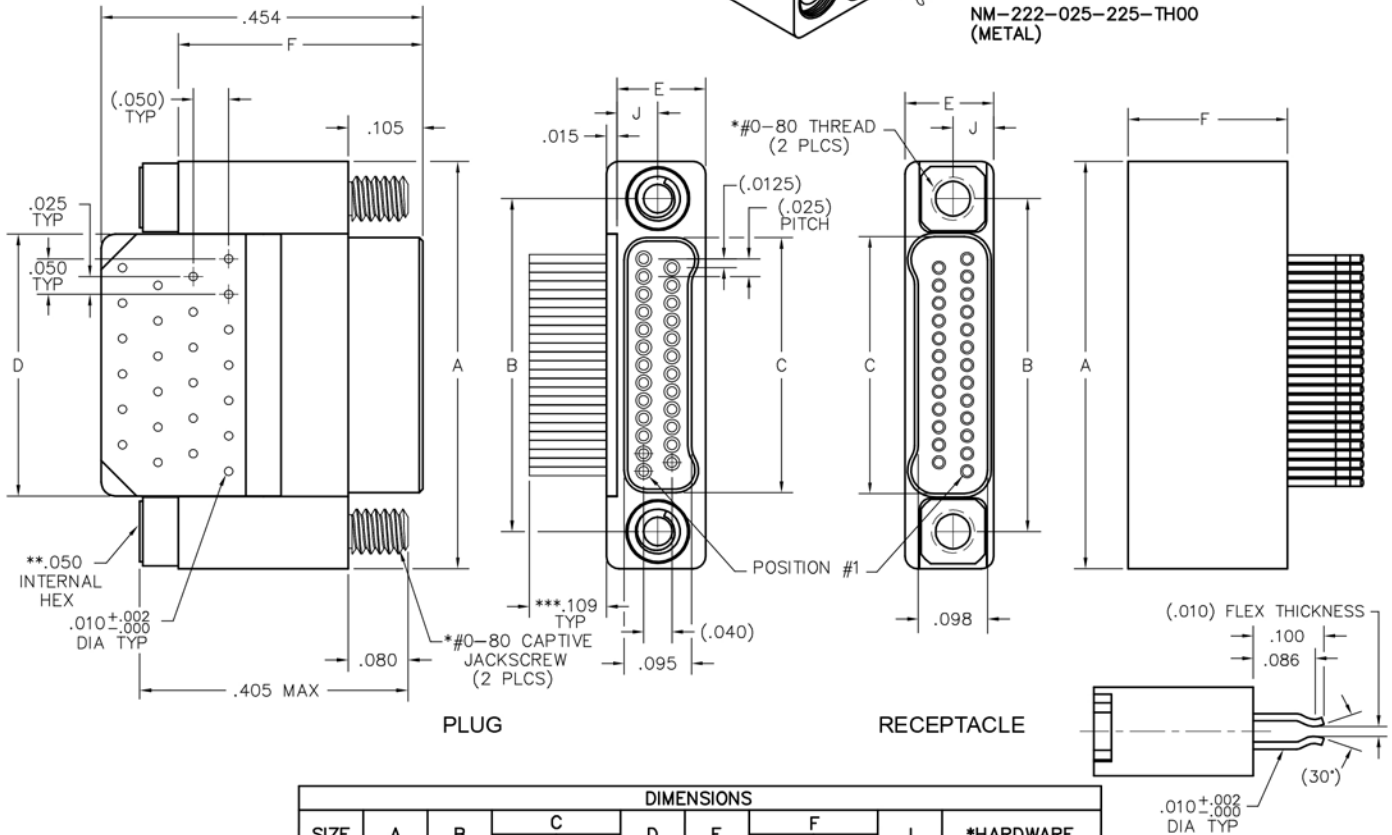
9 thru 91 Contacts



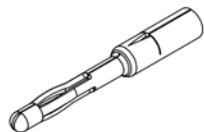
NK-2E2-025-325-JC00
(METAL)



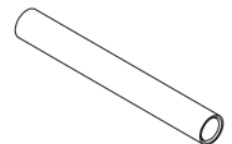
NM-222-025-225-TH00
(METAL)



SIZE	DIMENSIONS									
	A	B	C		D	E	F		J	*HARDWARE
			PLUG	RCPT			PLUG	RCPT		
9	.375	.270	.160	.163	.170					
15	.450	.345	.235	.238	.245					
21	.525	.420	.310	.313	.320					
25	.575	.470	.360	.363	.370					
31	.650	.545	.435	.438	.445	.125	.330	.225	.0575	#0-80 THREAD
37	.725	.620	.510	.513	.520					
51	.900	.795	.685	.688	.695					
65	1.075	.970	.860	.863	.870					
69	1.125	1.020	.910	.913	.920					
85	1.377	1.246	1.110	1.113	1.120				.0700	#2-56 THREAD
91	1.452	1.321	1.185	1.188	1.195	.150				



PIN CONTACT
3 TINE SPRING MEMBER, CRIMP



SOCKET CONTACT
DRAWN TUBE, CRIMP

* = #2-56 UNC THREAD ON 85, 91 POSITION CONNECTORS.
 ** = 1/16" HEX ON 85 POSITION CONNECTORS. HEX MEASUREMENT TAKEN ACROSS THE FLATS.
 *** = OTHER LENGTHS AS REQUIRED



PLUG: NK-2E2-025-325-JC00
 RECEPTACLE: NM-222-025-225-TH00
 XX-XXX-XXX-XXX-XXXX

PLUG	RECEPTACLE
SERIES	
NK .025" Metal PC Board Mounted Connector	NM .025" Metal Straddle Mount Flex Connector

BODY	
2 2-Row	2 2-Row
BODY STYLE: E Plug, right angle, plated thru hole (PTH)	BODY STYLE: 2 Receptacle, straight
BODY MATERIAL: 2 Liquid Crystal Polymer w/ electroless nickel shell 3 Liquid Crystal Polymer w/ electrodeposited cadmium shell <input checked="" type="checkbox"/> 4 Liquid Crystal Polymer w/ stainless steel shell 5 Liquid Crystal Polymer w/ titanium shell	BODY MATERIAL: 2 Liquid Crystal Polymer w/ electroless nickel shell 3 Liquid Crystal Polymer w/ electrodeposited cadmium shell <input checked="" type="checkbox"/> 4 Liquid Crystal Polymer w/ stainless steel shell 5 Liquid Crystal Polymer w/ titanium shell

SIZE	
XXX Number of contacts (009, 015, 021, 025, 031, 037, 051, 065, 069, 085 or 091)	XXX Number of contacts (009, 015, 021, 025, 031, 037, 051, 065, 069, 085 or 091)

CONTACTS	
TYPE CONTACTS/TERMINATIONS: 32 Pin, right angle, .109" 33 Pin, right angle, .140" 34 Pin, right angle, .172"	TYPE CONTACTS/TERMINATIONS: 22 Socket, straddle SMT
PLATING OPTIONS: 5 50 u" Au contacts; Sn/Pb alloy terminations <input checked="" type="checkbox"/> 8 50 u" Au contacts; Tin plated terminations	PLATING OPTIONS: 5 50 u" Au contacts; Sn/Pb alloy terminations <input checked="" type="checkbox"/> 8 50 u" Au contacts; Tin plated terminations

HARDWARE	
STYLE OF HARDWARE: 00 None JC Turning jackscrews, captivated #0-80 UNF*	STYLE OF HARDWARE: 00 None TH Threaded hole, #0-80 UNF* **
WIRING OPTIONS: 00 None	WIRING OPTIONS: 00 None

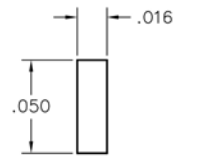
* = #2-56 UNC thread on 85, 91 position connectors
 .050 hex key (#0-80 thread)
 1/16" hex key (#2-56 thread)
 Recommended torque value 1.0 inch-lbs. max. (#0-80 thread)
 Recommended torque value 2.0 inch-lbs. max. (#2-56 thread)
 Ball end hex wrench not recommended
 Hex wrench key/bit conforming to the requirements of ASME / ANSI-B-18.3 is recommended.
 .050" hex L-key long arm wrench - order AirBorn p/n CDG14148.
 1/16" hex L-key long arm wrench - order AirBorn p/n CDG14160.

** = Threaded hole tapped directly into stainless steel and titanium shells, aluminum shells have stainless steel inserts (as shown on previous page).

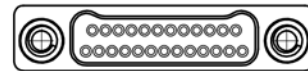
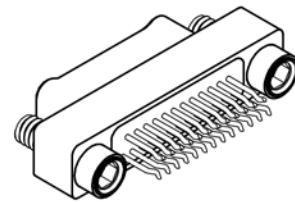
= Option not RoHS compliant

Recommended Flex Circuit Layout

Straddle Mount Flex Plug
FOR REFERENCE ONLY

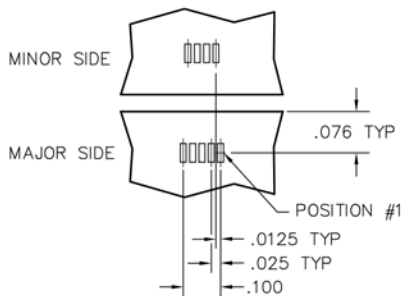


FOOTPRINT / PAD CONFIGURATION

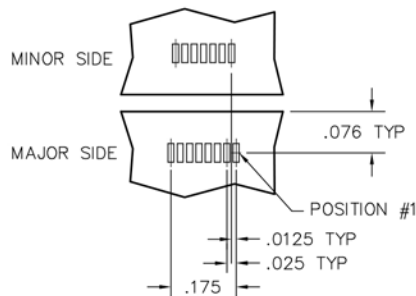
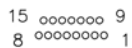


CONNECTOR MATING FACE

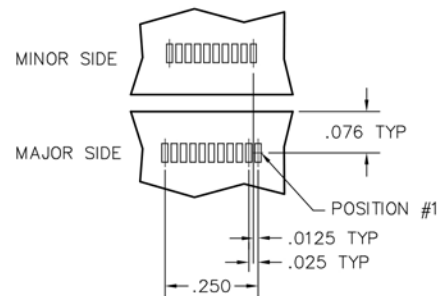
9 POSITION



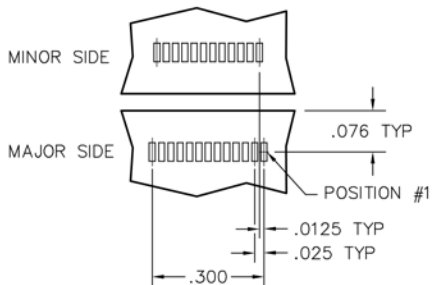
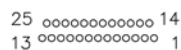
15 POSITION



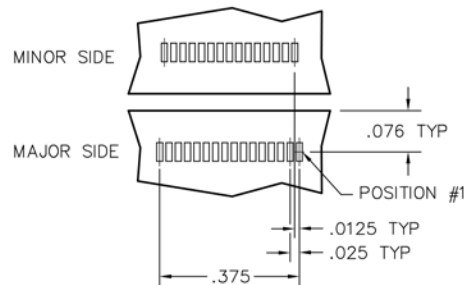
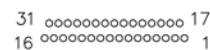
21 POSITION



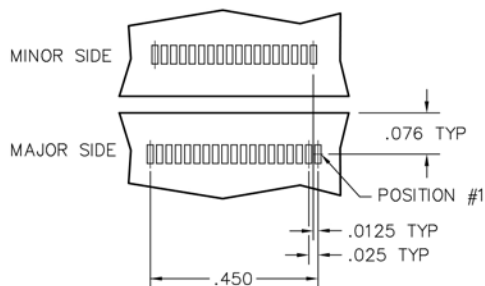
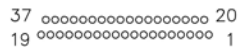
25 POSITION



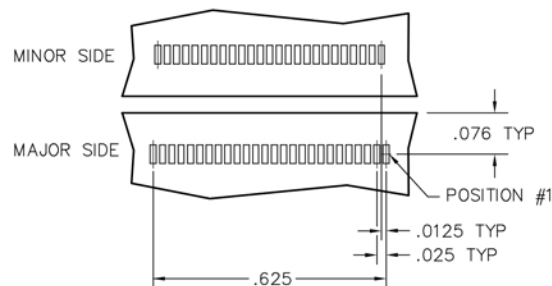
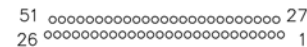
31 POSITION

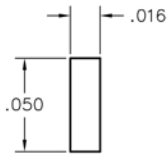


37 POSITION

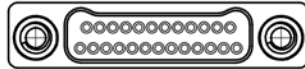
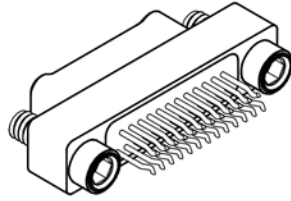


51 POSITION





FOOTPRINT / PAD CONFIGURATION

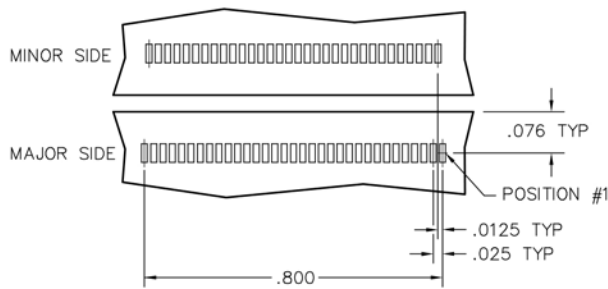


CONNECTOR MATING FACE

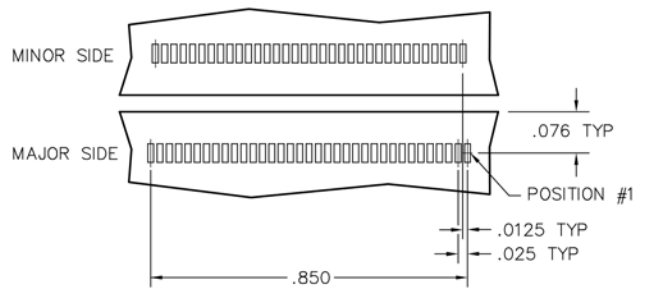
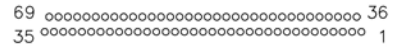
Recommended Flex Circuit Layout

Straddle Mount Flex Plug
FOR REFERENCE ONLY

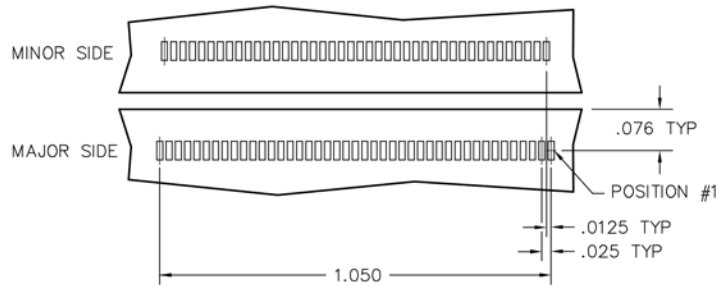
65 POSITION



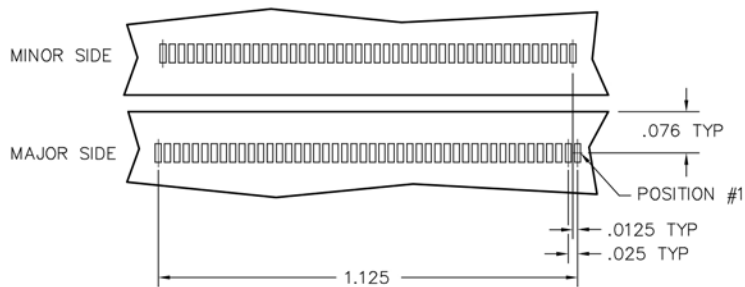
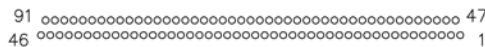
69 POSITION



85 POSITION

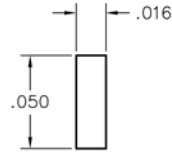


91 POSITION

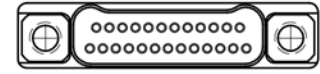
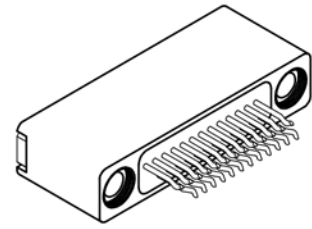


Recommended Flex Circuit Layout

Straddle Mount Flex Receptacle
FOR REFERENCE ONLY

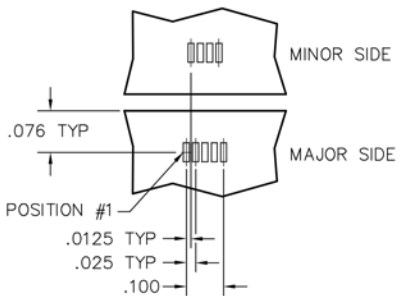


FOOTPRINT / PAD CONFIGURATION

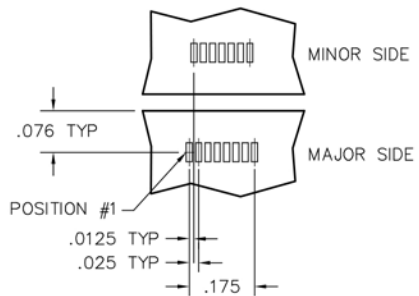


CONNECTOR MATING FACE

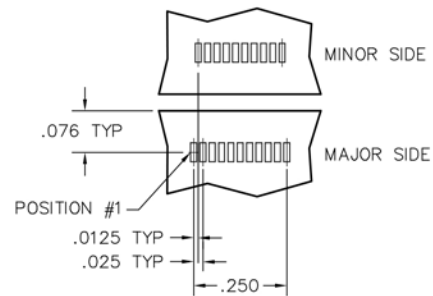
9 POSITION



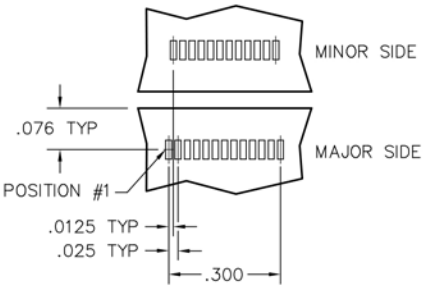
15 POSITION



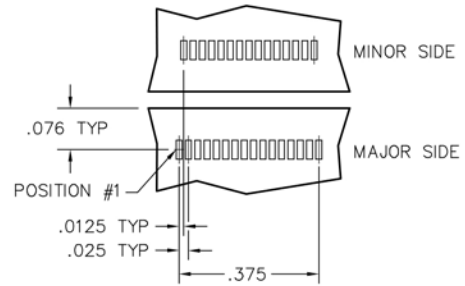
21 POSITION



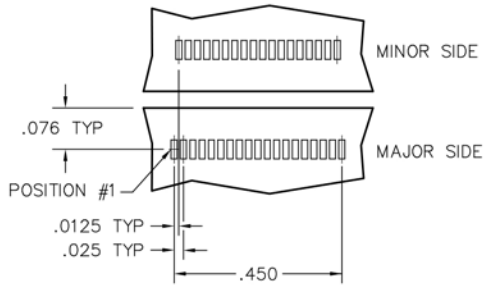
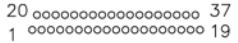
25 POSITION



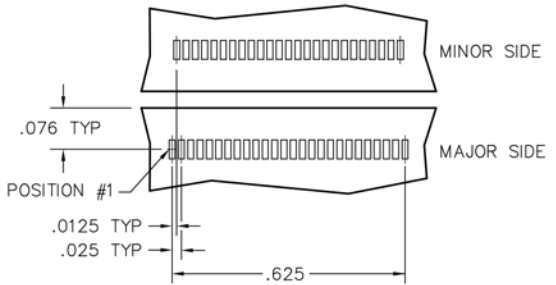
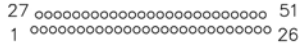
31 POSITION

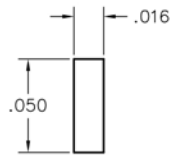


37 POSITION

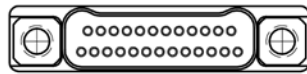
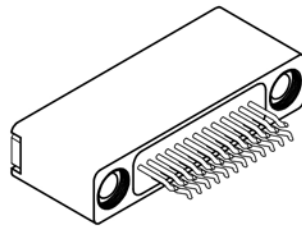


51 POSITION





FOOTPRINT / PAD CONFIGURATION

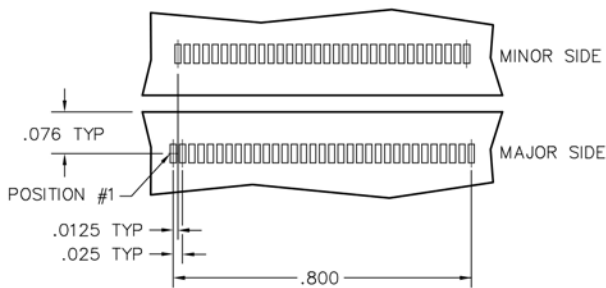
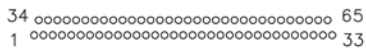


CONNECTOR MATING FACE

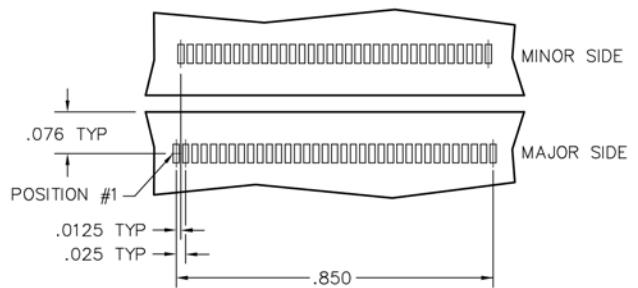
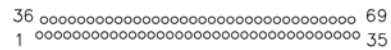
Recommended Flex Circuit Layout

Straddle Mount Flex Receptacle
FOR REFERENCE ONLY

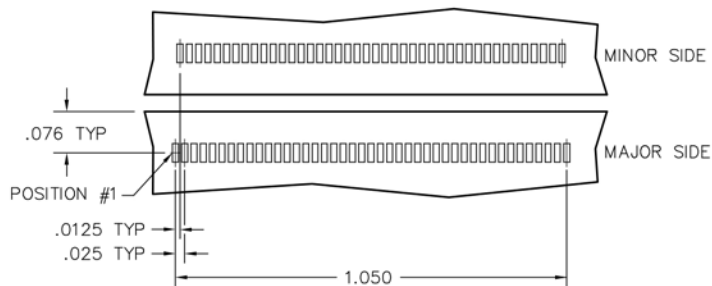
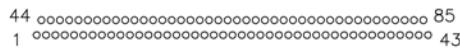
65 POSITION



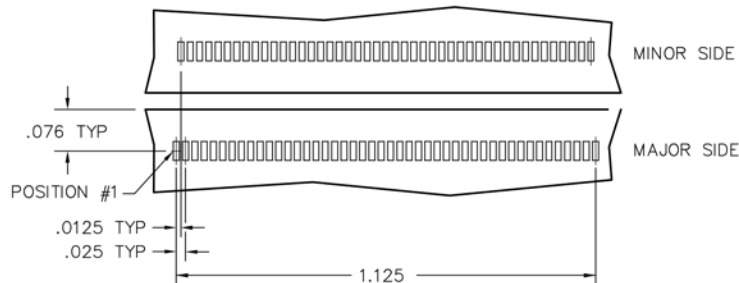
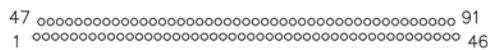
69 POSITION



85 POSITION



91 POSITION



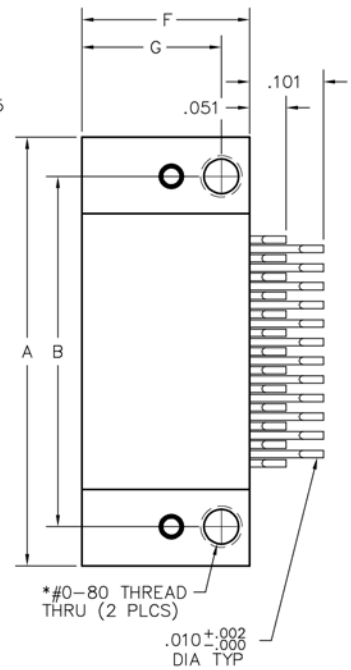
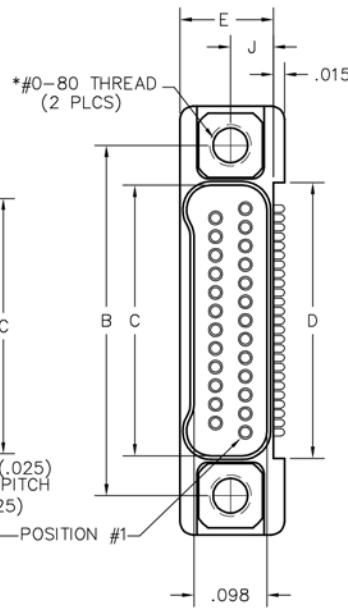
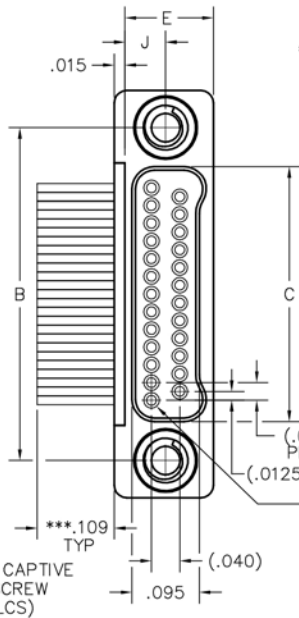
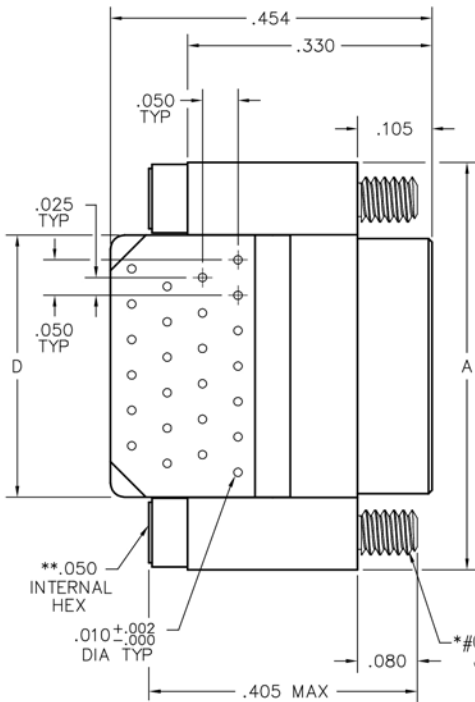
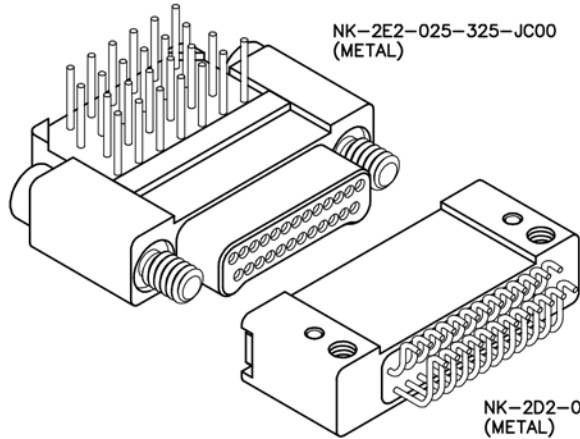


2 · ROW Flex to Board

.025"

NK, NK

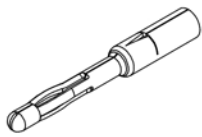
9 thru 91 Contacts



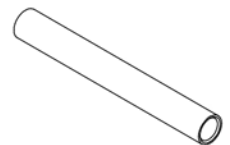
PLUG

RECEPTACLE

SIZE	A	B	C		D	E	F	G	J	*HARDWARE
			PLUG	RCPT						
9	.375	.270	.160	.163	.170					
15	.450	.345	.235	.238	.245					
21	.525	.420	.310	.313	.320					
25	.575	.470	.360	.363	.370					
31	.650	.545	.435	.438	.445	.125	.225	.187	.0575	#0-80 THREAD
37	.725	.620	.510	.513	.520					
51	.900	.795	.685	.688	.695					
65	1.075	.970	.860	.863	.870					
69	1.125	1.020	.910	.913	.920					
85	1.377	1.246	1.110	1.113	1.120	.150	.270	.210	.0700	#2-56 THREAD
91	1.452	1.321	1.185	1.188	1.195					



PIN CONTACT
3 TINE SPRING MEMBER,
CRIMP



SOCKET CONTACT
DRAWN TUBE, CRIMP

* = #2-56 UNC THREAD ON 85 & 91 POSITION CONNECTORS.
 ** = 1/16" HEX ON 85 & 91 POSITION CONNECTORS. HEX MEASUREMENT TAKEN ACROSS THE FLATS.
 *** = OTHER LENGTHS AS REQUIRED



PLUG: NK-2E2-025-325-JC00
RECEPTACLE: NK-2D2-025-225-TH00
 XX-XXX-XXX-XXX-XXXX

PLUG	RECEPTACLE
SERIES	

NK .025" Metal PC Board Mounted Connector	NK .025" Metal PC Board Mounted Connector
---	---

BODY	
-------------	--

2 2-Row	2 2-Row
BODY STYLE: E Plug, right angle, plated thru hole (PTH)	BODY STYLE: D Receptacle, horizontal mount SMT
BODY MATERIAL: 2 Liquid Crystal Polymer w/ electroless nickel shell 3 Liquid Crystal Polymer w/ electrodeposited cadmium shell <input checked="" type="checkbox"/> 4 Liquid Crystal Polymer w/ stainless steel shell 5 Liquid Crystal Polymer w/ titanium shell	BODY MATERIAL: 2 Liquid Crystal Polymer w/ electroless nickel shell 3 Liquid Crystal Polymer w/ electrodeposited cadmium shell <input checked="" type="checkbox"/> 4 Liquid Crystal Polymer w/ stainless steel shell 5 Liquid Crystal Polymer w/ titanium shell

SIZE	
-------------	--

XXX Number of contacts (009, 015, 021, 025, 031, 037, 051, 065, 069, 085 or 91)	XXX Number of contacts (009, 015, 021, 025, 031, 037, 051, 065, 069, 085 or 91)
---	---

CONTACTS	
-----------------	--

TYPE CONTACTS/TERMINATIONS: 32 Pin, right angle, .109" 33 Pin, right angle, .140" 34 Pin, right angle, .172"	TYPE CONTACTS/TERMINATIONS: 22 Socket, SMT
PLATING OPTIONS: 5 50 u" Au contacts; Sn/Pb alloy terminations <input checked="" type="checkbox"/> 8 50 u" Au contacts; Tin plated terminations	PLATING OPTIONS: 5 50 u" Au contacts; Sn/Pb alloy terminations <input checked="" type="checkbox"/> 8 50 u" Au contacts; Tin plated terminations

HARDWARE	
-----------------	--

STYLE OF HARDWARE: 00 None JC Turning jackscrews, captivated #0-80 UNF*	STYLE OF HARDWARE: 00 None TH Threaded hole, #0-80 UNF* **
WIRING OPTIONS: 00 None	WIRING OPTIONS: 00 None

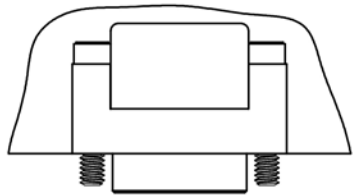
* = #2-56 UNC thread on 85 & 91 position connectors
 .050 hex key (#0-80 thread)
 1/16" hex key (#2-56 thread)
 Recommended torque value 1.0 inch-lbs. max. (#0-80 thread)
 Recommended torque value 2.0 inch-lbs. max. (#2-56 thread)
 Ball end hex wrench not recommended
 Hex wrench key/bit conforming to the requirements of ASME / ANSI-B-18.3 is recommended.
 .050" hex L-key long arm wrench - order AirBorn p/n CDG14148.
 1/16" hex L-key long arm wrench - order AirBorn p/n CDG14160.

** = Threaded hole tapped directly into stainless steel and titanium shells, aluminum shells have stainless steel inserts (as shown on previous page).

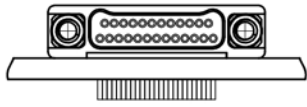
= Option not RoHS compliant

Recommended Flex Circuit Layout

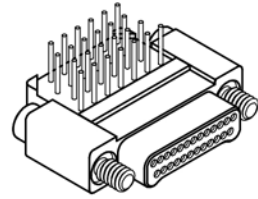
Right Angle Flex Mount PTH Plug
FOR REFERENCE ONLY



FLEX CIRCUIT LAYOUT
COMPONENT SIDE

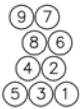
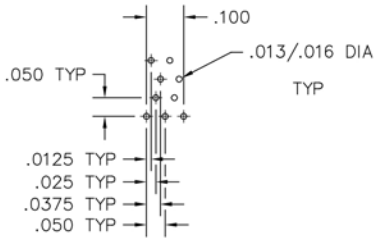


CONNECTOR MATING FACE



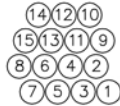
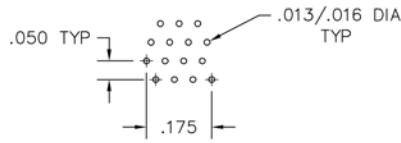
9 POSITION

9 ○○○○ 6
5 ○○○○ 1



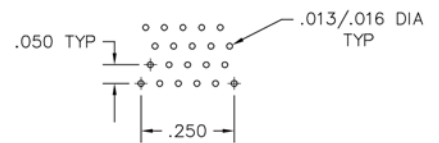
15 POSITION

15 ○○○○○○ 9
8 ○○○○○○ 1



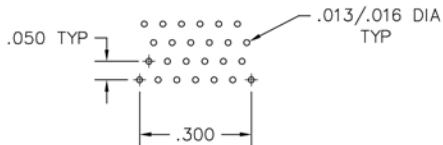
21 POSITION

21 ○○○○○○○○ 12
11 ○○○○○○○○ 1



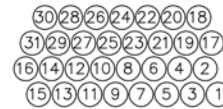
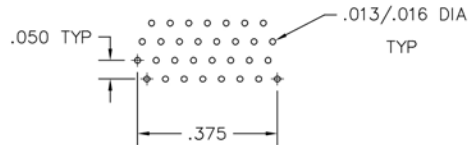
25 POSITION

25 ○○○○○○○○○○ 14
13 ○○○○○○○○○○ 1



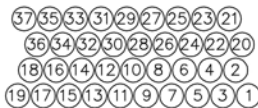
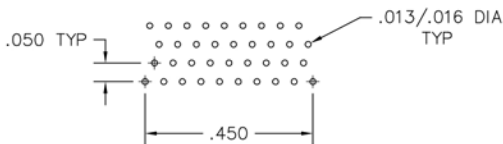
31 POSITION

31 ○○○○○○○○○○○○ 17
16 ○○○○○○○○○○○○ 1



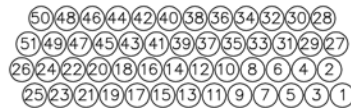
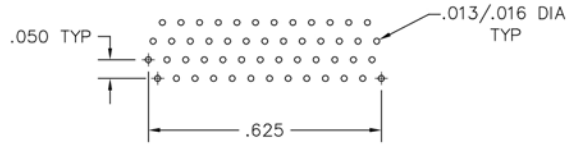
37 POSITION

37 ○○○○○○○○○○○○○○ 20
19 ○○○○○○○○○○○○○○ 1



51 POSITION

51 ○○○○○○○○○○○○○○○○○○○○○○ 27
26 ○○○○○○○○○○○○○○○○○○○○○○ 1



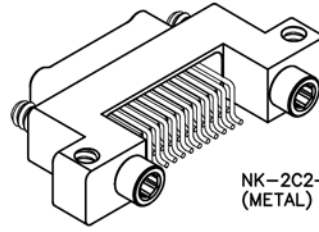


2 · ROW Horizontal SMT with Jackscrews Plug

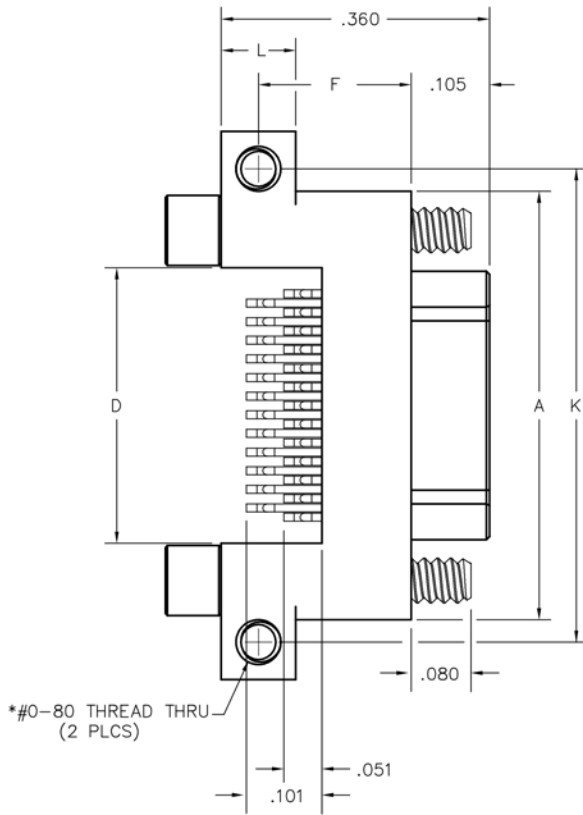
.025"

NK

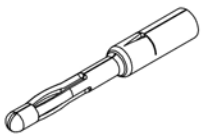
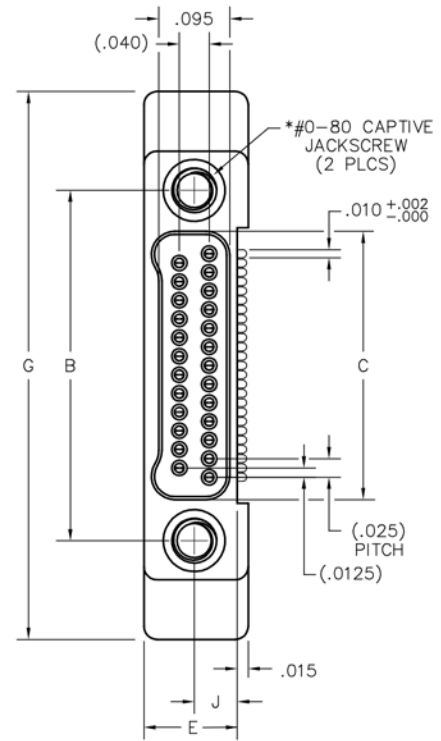
9 thru 91 Contacts



NK-2C2-025-125-JC00
(METAL)



PLUG



PIN CONTACT
3 TINE SPRING MEMBER, CRIMP

DIMENSIONS											
SIZE	A	B	C	D	E	F	G	J	K	L	*HARDWARE
9	.375	.270	.160	.170	.125	.205	.535	.0575	.435	.100	#0-80 THREAD
15	.450	.345	.235	.245			.610		.510		
21	.525	.420	.310	.320			.685		.585		
25	.575	.470	.360	.370			.735		.635		
31	.650	.545	.435	.445			.810		.710		
37	.725	.620	.510	.520			.885		.785		
51	.900	.795	.685	.695			1.060		.960		
65	1.075	.970	.860	.870			1.235		1.135		
69	1.125	1.020	.910	.920			1.285		1.185		
85	1.377	1.246	1.110	1.120			1.590		1.463		
91	1.452	1.321	1.185	1.195	.150	.192	1.665	.0700	1.538	.126	#2-56 THREAD



PLUG: NK-2C2-025-125-JC00
NK-XXX-XXX-XXX-XXXX

PLUG

SERIES

NK .025" Metal PC Board Mounted Connector

BODY

2 2-Row

BODY STYLE:

C Plug, horizontal mount SMT

BODY MATERIAL:

- 2 Liquid Crystal Polymer w/ electroless nickel shell
- 3 Liquid Crystal Polymer w/ electrodeposited cadmium shell
- 4 Liquid Crystal Polymer w/ stainless steel shell
- 5 Liquid Crystal Polymer w/ titanium shell

SIZE

XXX Number of contacts (009, 015, 021, 025, 031, 037, 051, 065, 069, 085 or 091)

CONTACTS

TYPE CONTACTS/TERMINATIONS:

12 Pin, SMT

PLATING OPTIONS:

- 5 50 u" Au contacts, Sn/Pb alloy terminations
- 8 50 u" Au contacts, tin plated terminations

HARDWARE

STYLE OF HARDWARE:

JC Turning jackscrews, captivated #0-80 UNF*

WIRING OPTIONS:

00 None

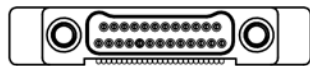
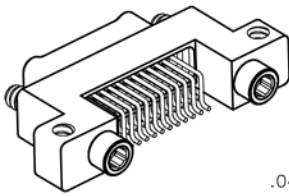
* = #2-56 UNC thread on 85 & 91 position connectors
 .050 hex key (#0-80 thread)
 1/16" hex key (#2-56 thread)
 Recommended torque value 1.0 inch-lbs. max. (#0-80 thread)
 Recommended torque value 2.0 inch-lbs. max. (#2-56 thread)
 Ball end hex wrench not recommended
 Hex wrench key/bit conforming to the requirements of ASME / ANSI-B-18.3 is recommended.
 .050" hex L-key long arm wrench - order AirBorn p/n CDG14148.
 1/16" hex L-key long arm wrench - order AirBorn p/n CDG14160.

= Option not RoHS compliant

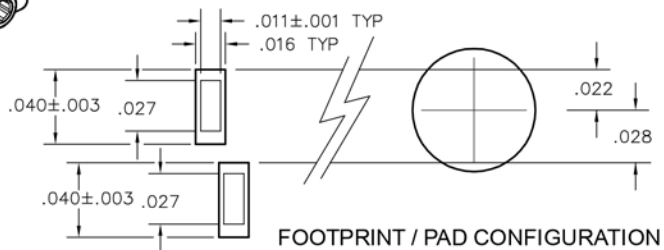


Recommended PC Board Layout

Horizontal SMT Plug
FOR REFERENCE ONLY

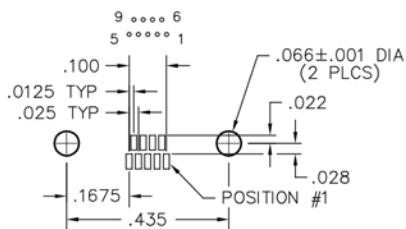


CONNECTOR MATING FACE

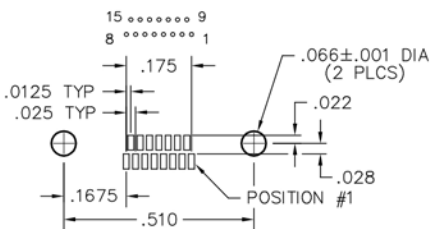


FOOTPRINT / PAD CONFIGURATION

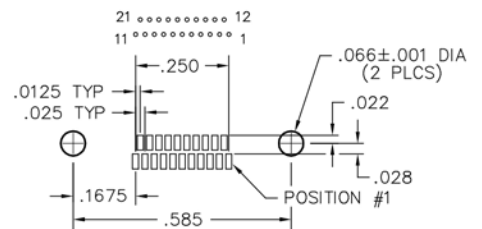
9 POSITION



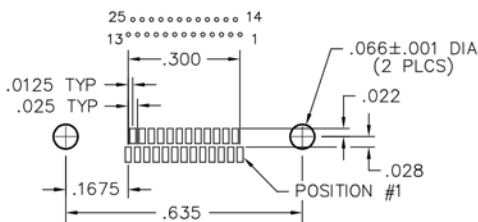
15 POSITION



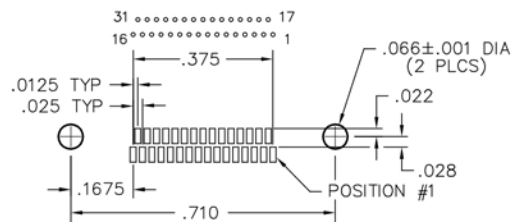
21 POSITION



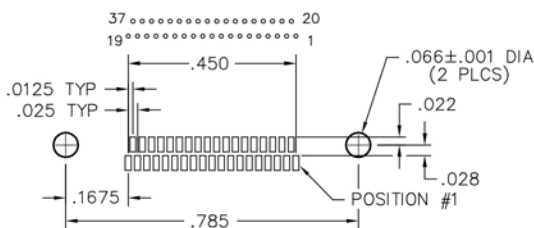
25 POSITION



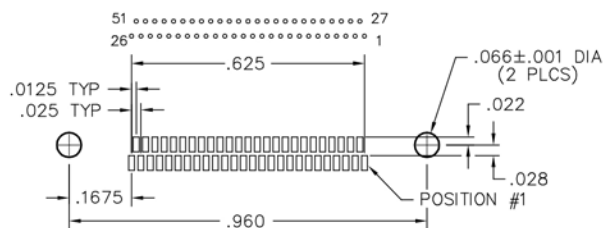
31 POSITION



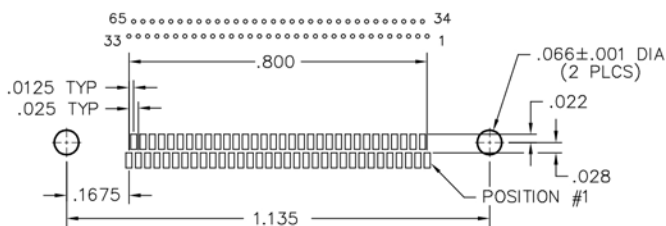
37 POSITION



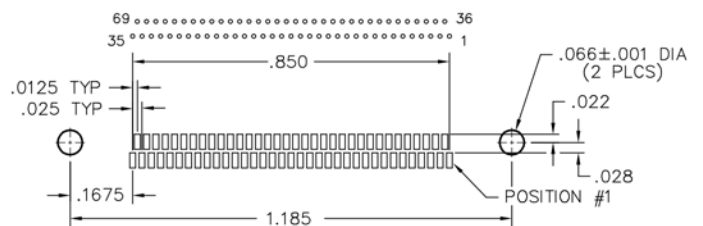
51 POSITION

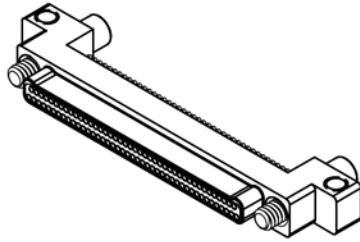


65 POSITION



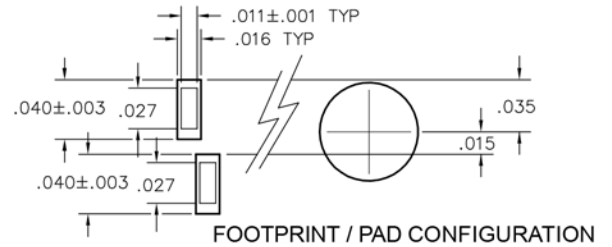
69 POSITION



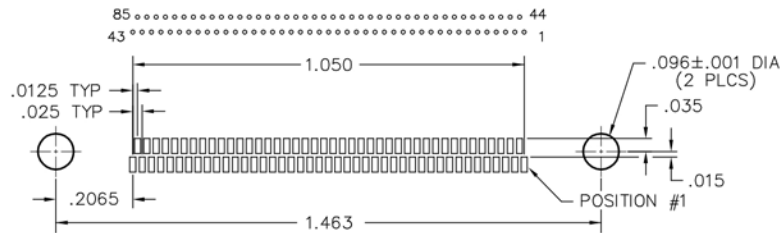


Recommended PC Board Layout

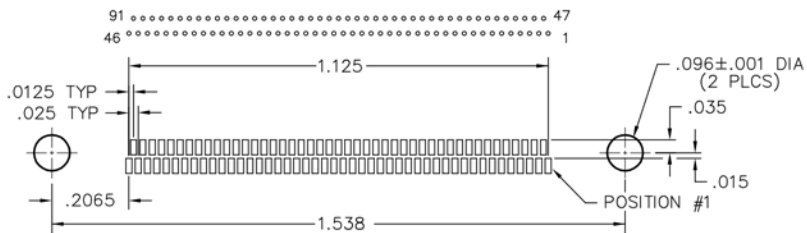
Horizontal SMT Plug
FOR REFERENCE ONLY



85 POSITION



91 POSITION

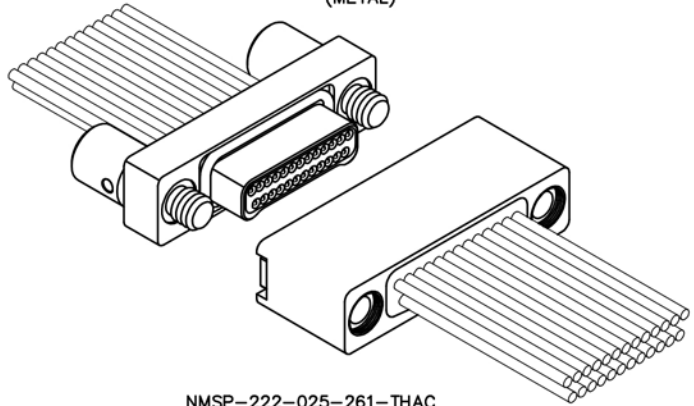




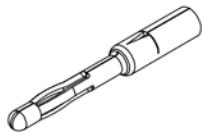
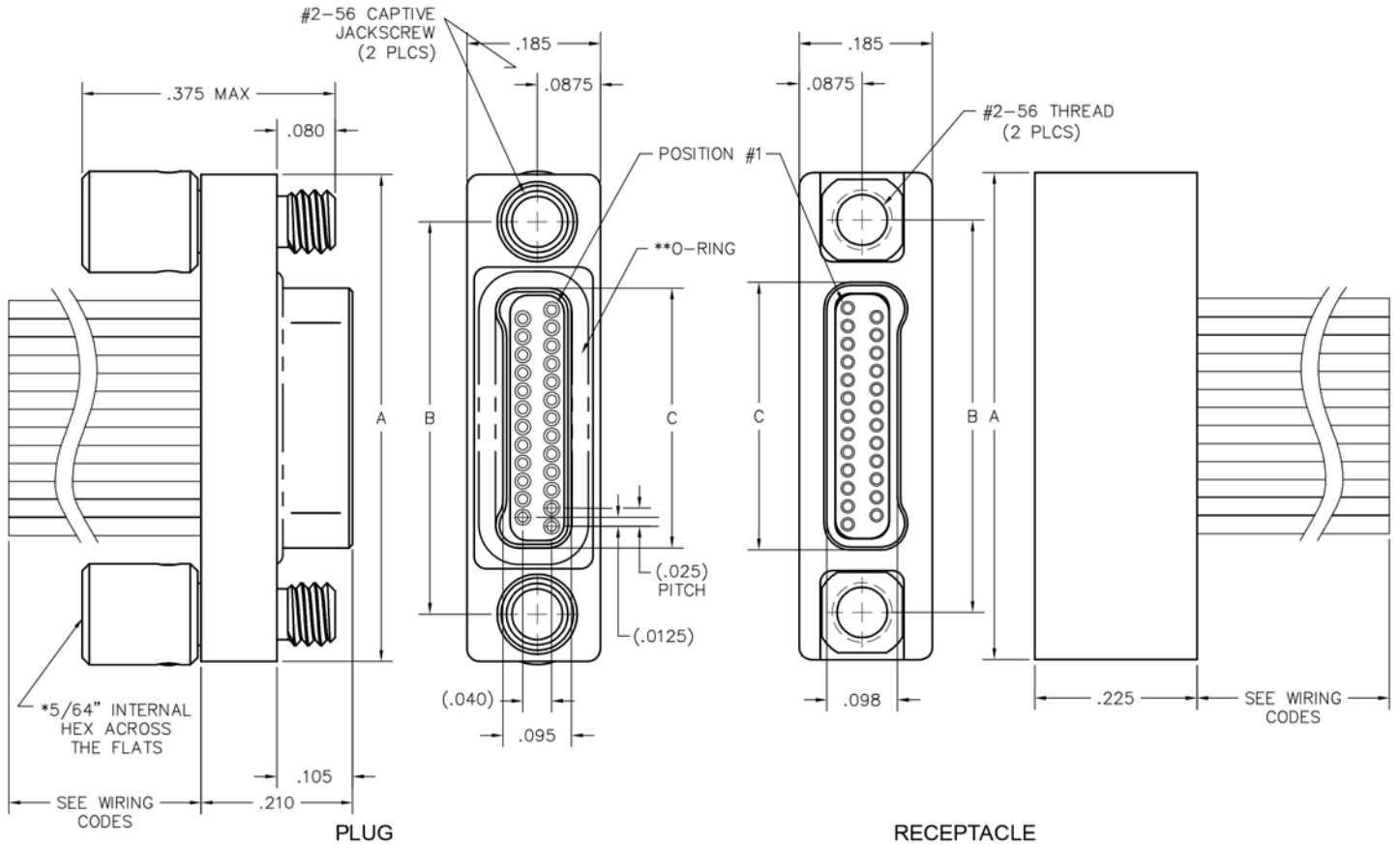
2 ROW
Splashproof**
Cable to Cable
.025"
NMSP, NMSP

9 thru 91 Contacts

NMSP-212-025-161-JCAC
(METAL)

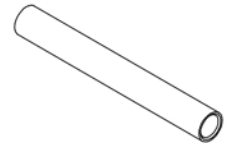


NMSP-222-025-261-THAC
(METAL)



PIN CONTACT
3 TINE SPRING MEMBER, CRIMP

SIZE	A	B	DIMENSIONS		HARDWARE
			PLUG	RCPT	
9	.475	.344	.160	.163	#2-56 THREAD
15	.550	.419	.235	.238	
21	.625	.494	.310	.313	
25	.675	.544	.360	.363	
31	.750	.619	.435	.438	
37	.825	.694	.510	.513	
51	1.000	.869	.685	.688	
65	1.175	1.044	.860	.863	
69	1.225	1.094	.910	.913	
85	1.425	1.294	1.110	1.113	
91	1.500	1.369	1.185	1.188	



SOCKET CONTACT
DRAWN TUBE, CRIMP

**The o-ring seal provides moisture resistance to fog, humidity and splashing.



PLUG: NMSP-212-025-161-JCAC
RECEPTACLE: NMSP-222-025-261-THAC
 XXXX-XXX-XXX-XXX-XXXX

PLUG

RECEPTACLE

SERIES

NMSP .025" Metal Splashproof I/O Connector | NMSP .025" Metal Splashproof I/O Connector

BODY

2	2-Row	2	2-Row
BODY STYLE:		BODY STYLE:	
1	Plug, straight, with fluorosilicone o-ring	2	Receptacle, straight
BODY MATERIAL:		BODY MATERIAL:	
2	Liquid Crystal Polymer w/ electroless nickel shell	2	Liquid Crystal Polymer w/ electroless nickel shell
3	Liquid Crystal Polymer w/ electrodeposited cadmium shell <input checked="" type="checkbox"/>	3	Liquid Crystal Polymer w/ electrodeposited cadmium shell <input checked="" type="checkbox"/>
4	Liquid Crystal Polymer w/ stainless steel shell	4	Liquid Crystal Polymer w/ stainless steel shell
5	Liquid Crystal Polymer w/ titanium shell	5	Liquid Crystal Polymer w/ titanium shell

SIZE

XXX Number of contacts (009, 015, 021, 025, 031, 037, 051, 065, 069, 085 or 091) | XXX Number of contacts (009, 015, 021, 025, 031, 037, 051, 065, 069, 085, 91)

CONTACTS

TYPE CONTACTS/TERMINATIONS:		TYPE CONTACTS/TERMINATIONS:	
16	Pin, straight, crimped wire	26	Socket, straight, crimped wire
PLATING OPTIONS:		PLATING OPTIONS:	
1	50 u" Au contacts	1	50 u" Au contacts

HARDWARE

STYLE OF HARDWARE:		STYLE OF HARDWARE:	
JC	Turning jackscrews, captivated #2-56 UNF*	JC	Turning jackscrews, captivated #2-56 UNF*
TH	Threaded hole, #2-56 UNF **	TH	Threaded hole, #2-56 UNF **

WIRING OPTIONS:		WIRING OPTIONS:	
XX	See wiring codes, Page NA-2	XX	See wiring codes, Page NA-2

* = 5/64" hex key
 Recommended torque value 2.0 inch-lbs. max.
 Ball end hex wrench not recommended
 Hex wrench key/bit conforming to the requirements of ASME / ANSI-B-18.3 is recommended.
 5/64" hex L-key long arm wrench - order AirBorn p/n CDG14179.

** = Threaded hole tapped directly into stainless steel and titanium shells, aluminum shells have stainless steel inserts (as shown on previous page).

= Option not RoHS compliant



Performance - Rear Panel Mount

Reference M32139

AirBorn "N" Series meets or exceeds M32139 Performance Specifications

Contact Rating:	1-amperes maximum
Solderability:	Terminals (except crimp) tested in accordance with MIL-STD-202, Method 208
Wire Size:	Stranded #30 & #32 AWG or solid #30 AWG standard (consult factory for other sizes and types)
Test Voltage:	250 V, RMS, 60 Hz
Operating Temperature:	-55° C to +125° C
Insulation Resistance:	5,000 megohms minimum @ 100 VDC
Durability:	200 connector mating cycles tested in accordance with EIA-364-09
Vibration:	Tested in accordance with EIA-364-28, Condition IV
Shock:	Tested in accordance with EIA-364-27, Condition G
Salt Spray:	Mated connectors tested in accordance with EIA-364-26, Condition B
Humidity:	Mated connectors tested in accordance with EIA-364-31, Condition A (except steps 7a and 7b)
Thermal Shock:	Tested to the temperature extremes of EIA-364-32, Condition I
Contact Resistance:	0.021 volt maximum drop @ 1.0 amps (.021 ohms)
Contact Engaging Force:	5.0 ounce maximum, with minimum diameter test sleeve
Contact Separating Force:	0.4 ounce minimum, with maximum diameter test sleeve
Crimp Strength:	1 pound minimum tensile strength

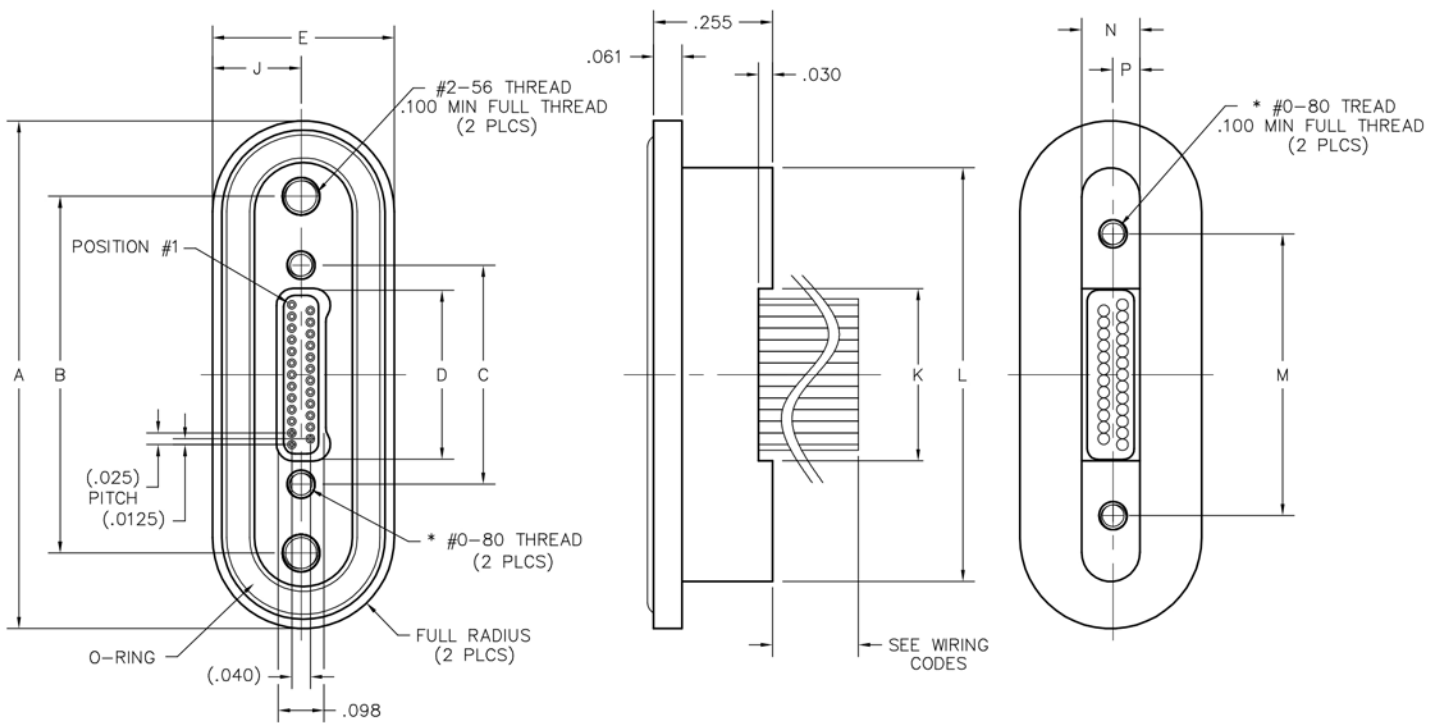
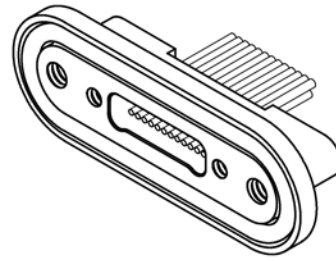
2 · ROW Rear Panel Mount I/O

.025"

NMRP

9 thru 85 Contacts

NMRP-224-025-261-THBE
(METAL)



RECEPTACLE

DIMENSIONS											
SIZE	A	B	C	D	E	J	K	L	M	N	P
9	.890	.566	.270	.163	.390	.190	.170	.688	.405	.125	.0575
15	.965	.641	.345	.238			.245	.763	.480		
21	1.040	.716	.420	.313			.320	.838	.555		
25	1.090	.766	.470	.363			.370	.888	.605		
31	1.165	.841	.545	.438			.445	.963	.680		
37	1.240	.916	.620	.513			.520	1.038	.755		
51	1.415	1.091	.795	.688			.695	1.213	.930		
65	1.590	1.266	.970	.863			.870	1.388	1.105		
69	1.640	1.316	1.020	.913			.920	1.438	1.155		
85	1.892	1.568	1.246	1.113			.415	.2025	1.120		

* = #2-56 UNC THREAD ON 85 POSITION CONNECTORS.

RECEPTACLE: NMRP-224-025-261-TH00
 XXXX-XXX-XXX-XXX-XXXX-XXX

SERIES

NMRP .025" Metal I/O Connector

BODY

2 2-Row

BODY STYLE:

2 Receptacle, straight, rear panel mount with fluorosilicone o-ring

BODY MATERIAL:

4 Liquid Crystal Polymer w/ stainless steel shell

SIZE

XXX Number of contacts (009, 015, 021, 025, 031, 037, 051, 065, 069 or 085)

CONTACTS

TYPE CONTACTS/TERMINATIONS:

26 Socket, straight, crimped wire

PLATING OPTIONS:

1 50 u" Au contacts

HARDWARE

STYLE OF HARDWARE:

TH Threaded hole, #0-80 UNF*

WIRING OPTIONS:

XX See wiring codes, Page NA-2

OPTIONS

EMI EMI o-ring (in lieu of fluorosilicone o-ring)

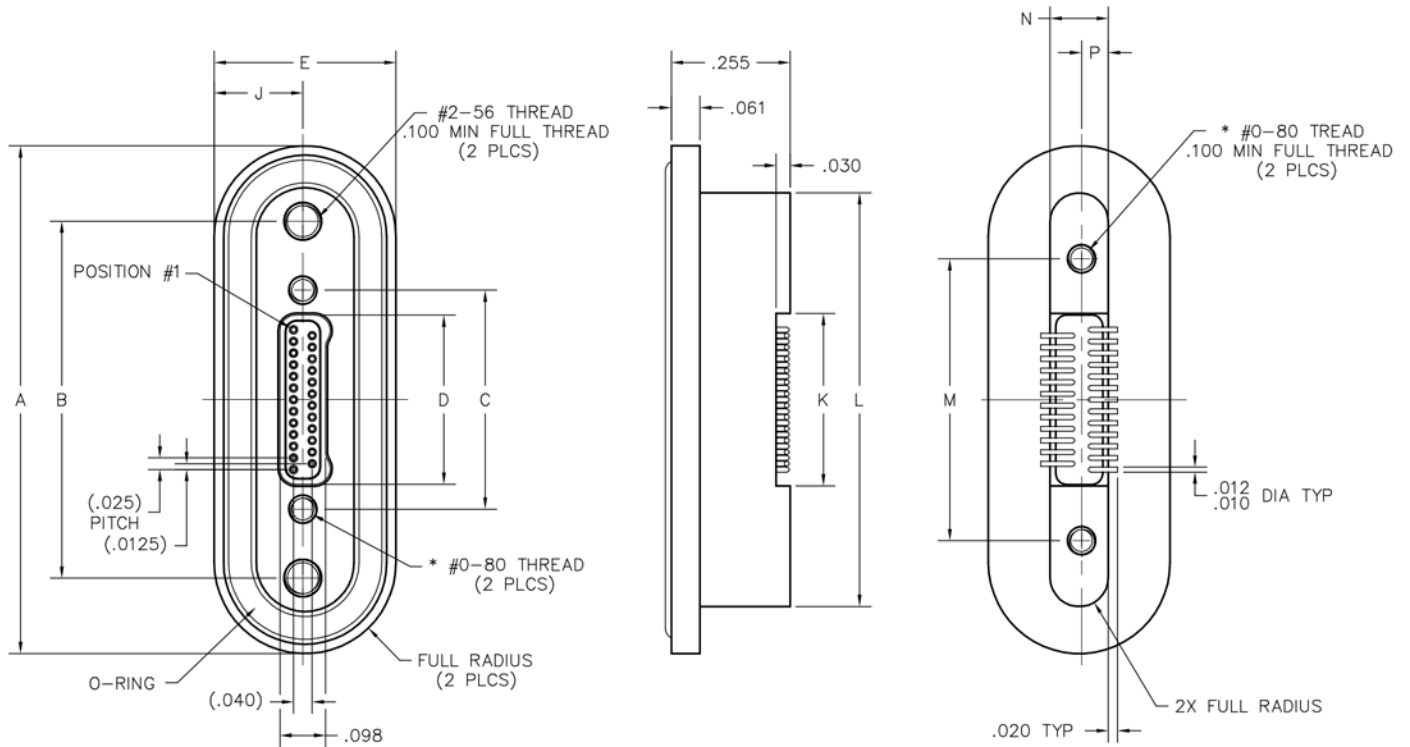
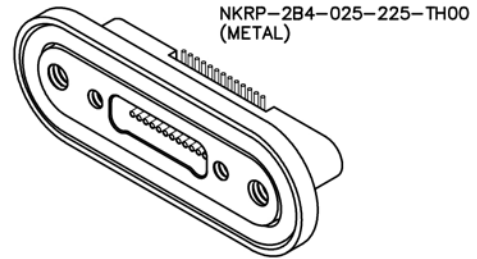
* = #2-56 UNC thread on 85 position connectors
 Recommended torque value 1.0 inch-lbs. max. (#0-80 thread)
 Recommended torque value 2.0 inch-lbs. max. (#2-56 thread)

2 · ROW Rear Panel Mount Vertical SMT

.025"

NKRP

9 thru 85 Contacts



RECEPTACLE

DIMENSIONS											
SIZE	A	B	C	D	E	J	K	L	M	N	P
9	.890	.566	.270	.163	.390	.190	.170	.688	.405	.125	.0575
15	.965	.641	.345	.238			.245	.763	.480		
21	1.040	.716	.420	.313			.320	.838	.555		
25	1.090	.766	.470	.363			.370	.888	.605		
31	1.165	.841	.545	.438			.445	.963	.680		
37	1.240	.916	.620	.513			.520	1.038	.755		
51	1.415	1.091	.795	.688			.695	1.213	.930		
65	1.590	1.266	.970	.863			.870	1.388	1.105		
69	1.640	1.316	1.020	.913			.920	1.438	1.155		
85	1.892	1.568	1.246	1.113			.415	.2025	1.120		

* = #2-56 UNC THREAD ON 85 POSITION CONNECTORS.

RECEPTACLE: NKRP-2B4-025-225-TH00
 XXXX-XXX-XXX-XXX-XXXX-XXX

SERIES

NKRP .025" Metal PC Board Mounted Connector

BODY

2 2-Row

BODY STYLE:

B Receptacle, vertical SMT, rear panel mount with fluorosilicone o-ring

BODY MATERIAL:

4 Liquid Crystal Polymer w/ stainless steel shell

SIZE

XXX Number of contacts (009, 015, 021, 025, 031, 037, 051, 065, 069, 085 or 091)

CONTACTS

TYPE CONTACTS/TERMINATIONS:

22 Socket, SMT

PLATING OPTIONS:

5 50 u" Au contacts; Sn/Pb alloy terminations
 8 50 u" Au contacts; Tin plated terminations

HARDWARE

STYLE OF HARDWARE:

TH Threaded hole, #0-80 UNF*

WIRING OPTIONS:

00 None

OPTIONS

EMI EMI o-ring (in lieu of fluorosilicone o-ring)

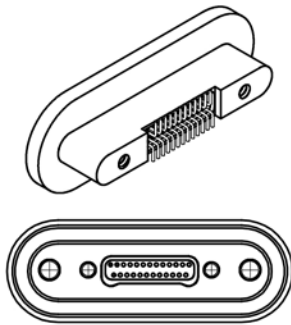
* = #2-56 UNC thread on 85, 91 position connectors
 Recommended torque value 1.0 inch-lbs. max. (#0-80 thread)
 Recommended torque value 2.0 inch-lbs. max. (#2-56 thread)

= Option not RoHS compliant

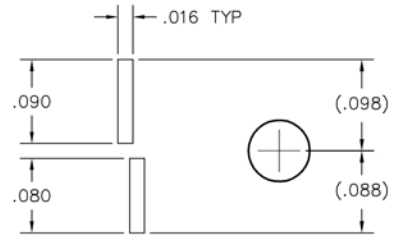


Recommended PC Board Layout

Vertical SMT Rcpt
FOR REFERENCE ONLY



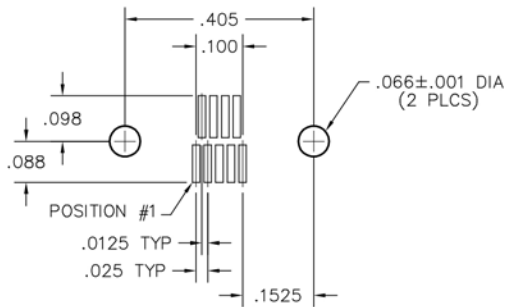
CONNECTOR MATING FACE



FOOTPRINT / PAD CONFIGURATION

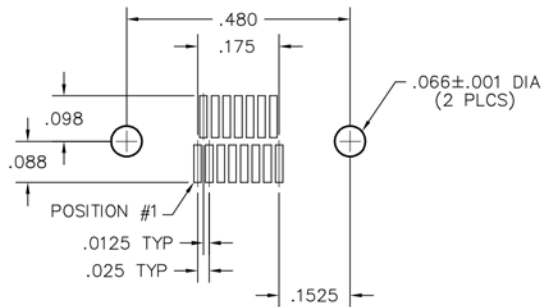
9 POSITION

6 ○ ○ ○ ○ 9
1 ○ ○ ○ ○ 5



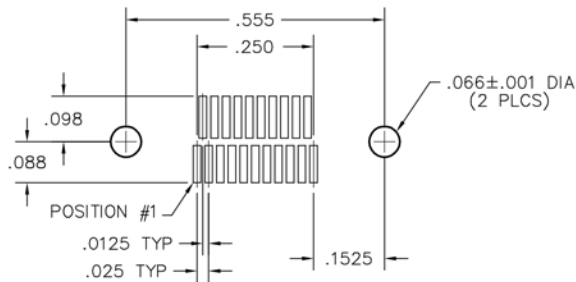
15 POSITION

9 ○ ○ ○ ○ ○ 15
1 ○ ○ ○ ○ ○ 8



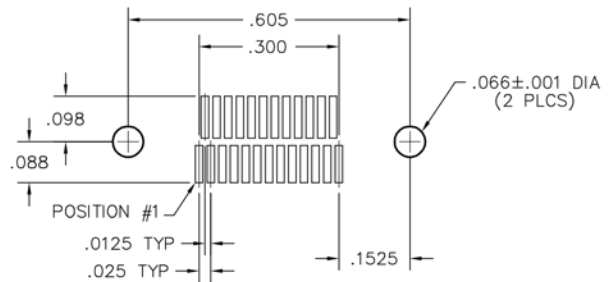
21 POSITION

12 ○ ○ ○ ○ ○ ○ ○ ○ 21
1 ○ ○ ○ ○ ○ ○ ○ ○ 11



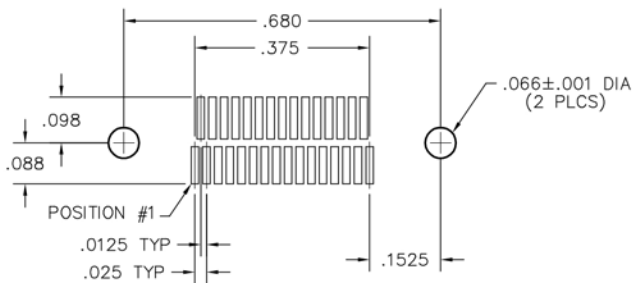
25 POSITION

14 ○ ○ ○ ○ ○ ○ ○ ○ 25
1 ○ ○ ○ ○ ○ ○ ○ ○ 13



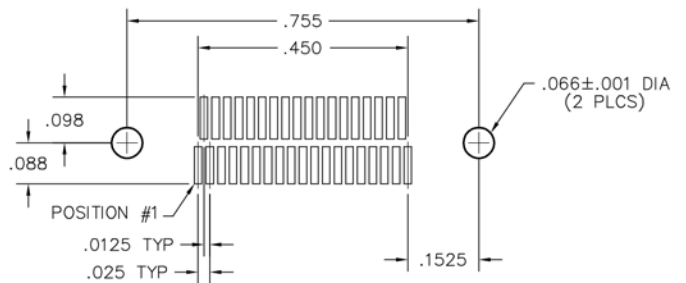
31 POSITION

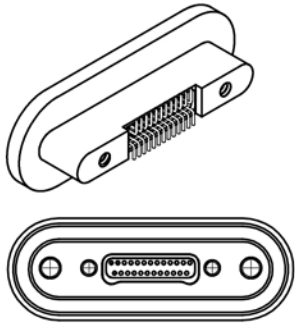
17 ○ ○ ○ ○ ○ ○ ○ ○ ○ ○ 31
1 ○ ○ ○ ○ ○ ○ ○ ○ ○ ○ 16



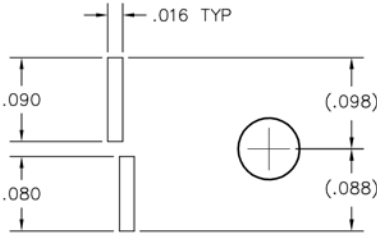
37 POSITION

20 ○ ○ ○ ○ ○ ○ ○ ○ ○ ○ ○ ○ 37
1 ○ ○ ○ ○ ○ ○ ○ ○ ○ ○ ○ ○ 19





CONNECTOR MATING FACE

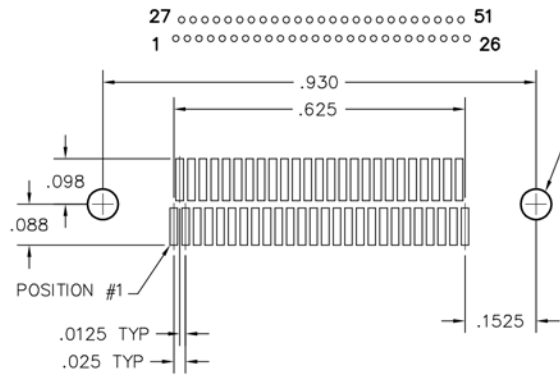


FOOTPRINT / PAD CONFIGURATION

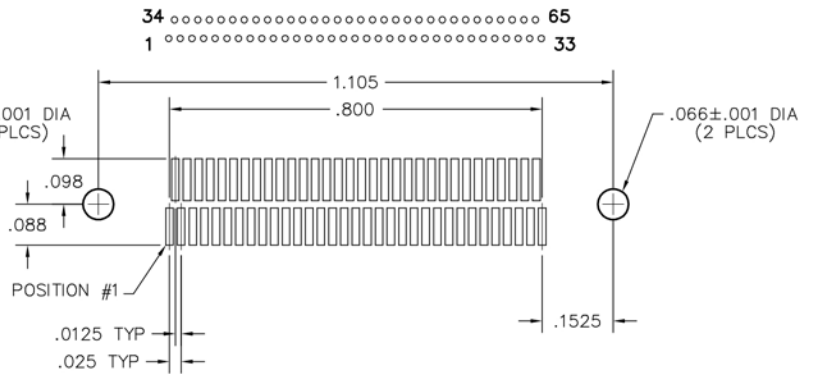
Recommended PC Board Layout

Vertical SMT Rcpt
FOR REFERENCE ONLY

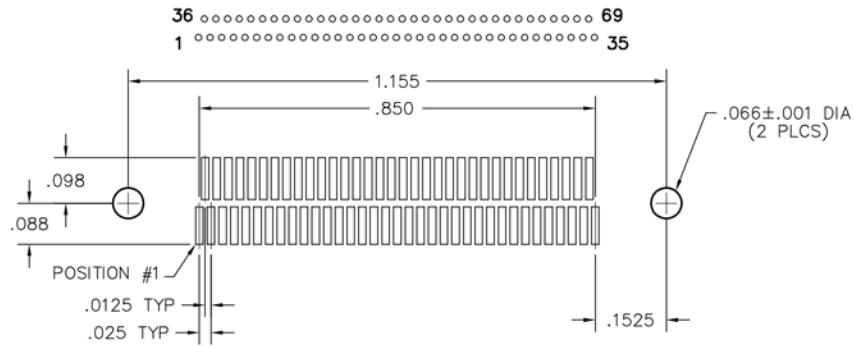
51 POSITION



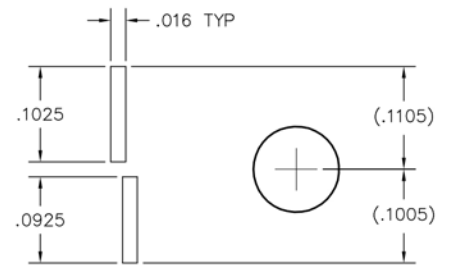
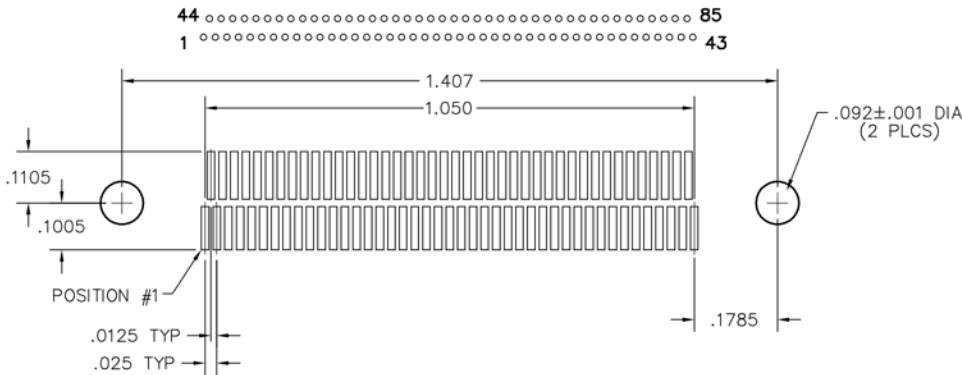
65 POSITION



69 POSITION



85 POSITION



FOOTPRINT / PAD CONFIGURATION



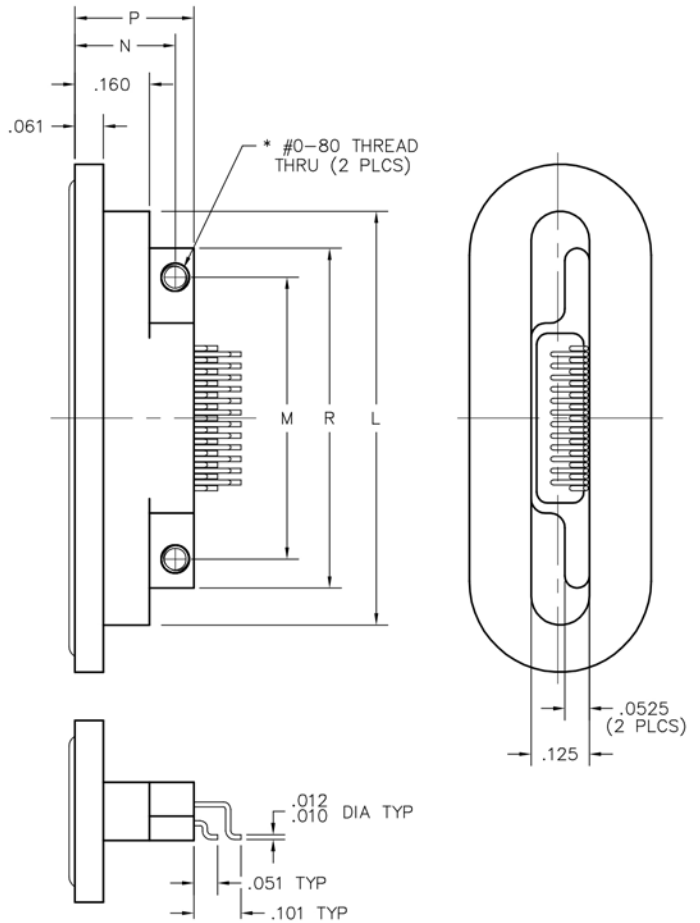
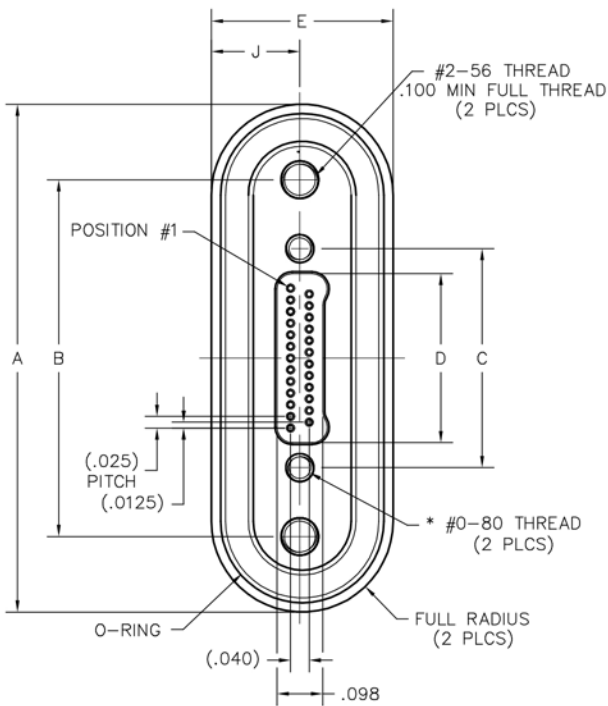
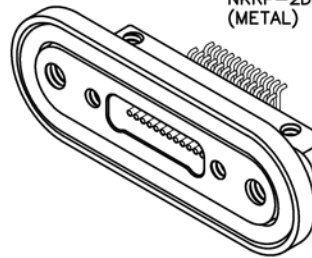
2 · ROW Rear Panel Mount Horizontal SMT

.025"

NKRP

9 thru 85 Contacts

NKRP-2D4-025-225-TH00
(METAL)



RECEPTACLE

DIMENSIONS											
SIZE	A	B	C	D	E	J	L	M	N	P	R
9	.890	.566	.270	.163	.390	.190	.688	.405	.215	.255	.531
15	.965	.641	.345	.238			.763	.480			.606
21	1.040	.716	.420	.313			.838	.555			.681
25	1.090	.766	.470	.363			.888	.605			.731
31	1.165	.841	.545	.438			.963	.680			.806
37	1.240	.916	.620	.513			1.038	.755			.881
51	1.415	1.091	.795	.688			1.213	.930			1.056
65	1.590	1.266	.970	.863			1.388	1.105			1.231
69	1.640	1.316	1.020	.913	1.438	1.155	1.281				
85	1.892	1.568	1.246	1.113	.415	.2025	1.690	1.407	.244	.300	1.533

* = #2-56 UNC THREAD ON 85 & 91 POSITION CONNECTORS.

RECEPTACLE: NKRP-2D4-025-225-TH00
 XXXX-XXX-XXX-XXX-XXXX-XXX

SERIES

NKRP .025" Metal PC Board Mounted Connector

BODY

2 2-Row

BODY STYLE:

D Receptacle, horizontal SMT, rear panel mount with fluorosilicone o-ring

BODY MATERIAL:

4 Liquid Crystal Polymer w/ stainless steel shell

SIZE

XXX Number of contacts (009, 015, 021, 025, 031, 037, 051, 065, 069 or 085)

CONTACTS

TYPE CONTACTS/TERMINATIONS:

22 Socket, SMT

PLATING OPTIONS:

5 50 u" Au contacts; Sn/Pb alloy terminations
 8 50 u" Au contacts; Tin plated terminations

HARDWARE

STYLE OF HARDWARE:

TH Threaded hole, #0-80 UNF*

WIRING OPTIONS:

00 None

OPTIONS

EMI EMI o-ring (in lieu of fluorosilicone o-ring)

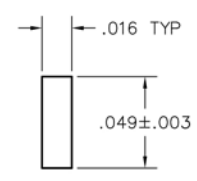
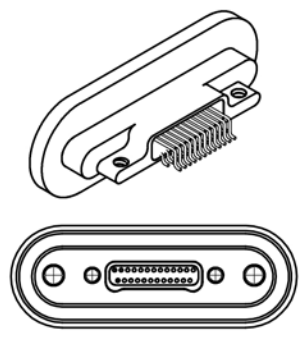
* = #2-56 UNC thread on 85 position connectors
 Recommended torque value 1.0 inch-lbs. max. (#0-80 thread)
 Recommended torque value 2.0 inch-lbs. max. (#2-56 thread)

= Option not RoHS compliant

Recommended PC Board Layout

Horizontal SMT Rcpt
FOR REFERENCE ONLY

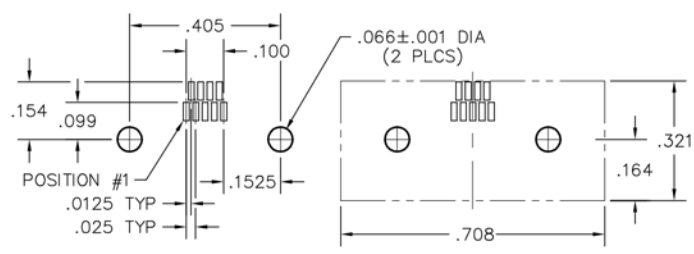
No solder mask allowed
within connector outline



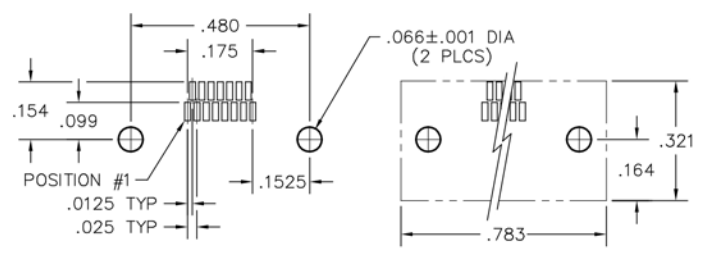
FOOTPRINT / PAD CONFIGURATION

CONNECTOR MATING FACE

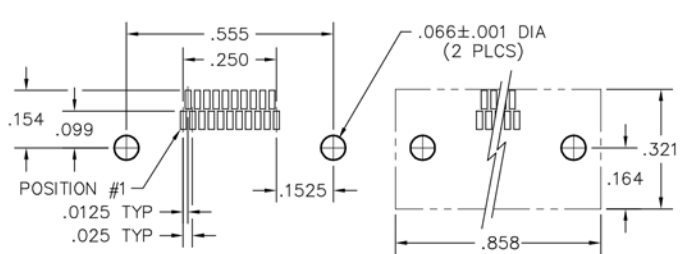
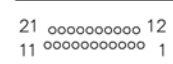
9 POSITION



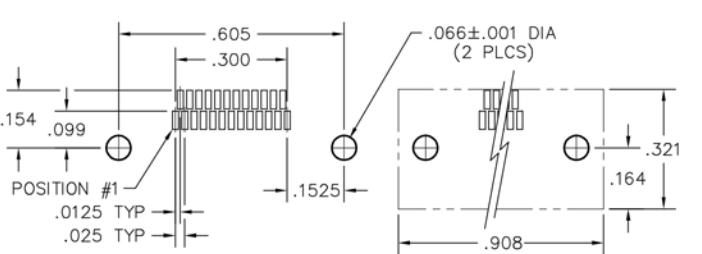
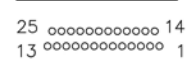
15 POSITION



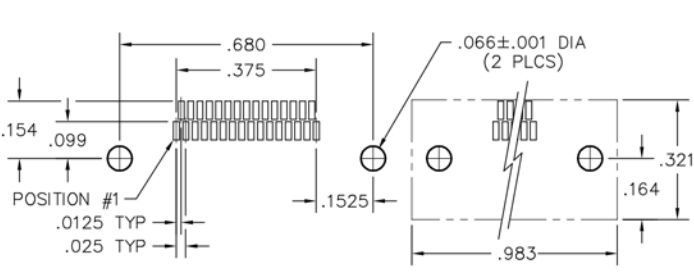
21 POSITION



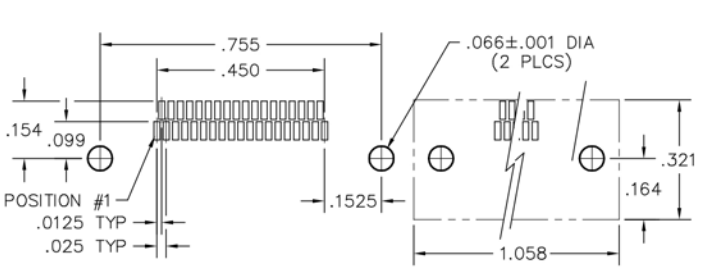
25 POSITION

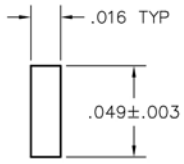


31 POSITION

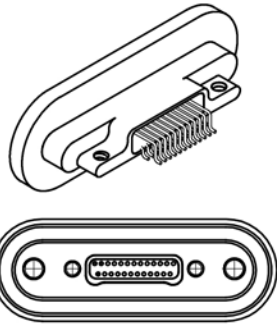


37 POSITION





FOOTPRINT / PAD CONFIGURATION



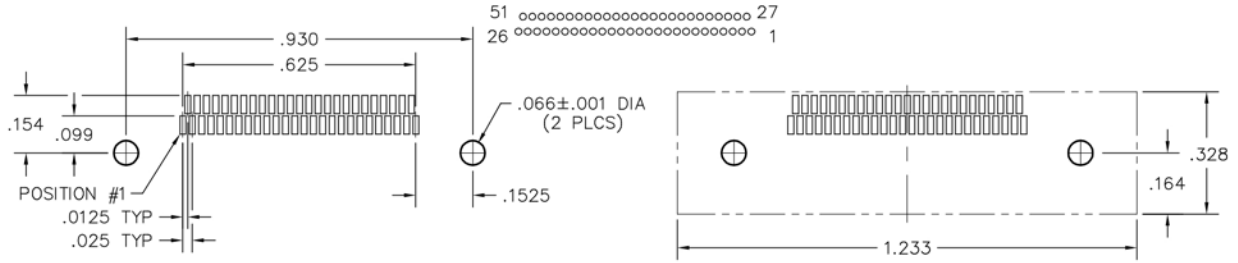
CONNECTOR MATING FACE

Recommended PC Board Layout

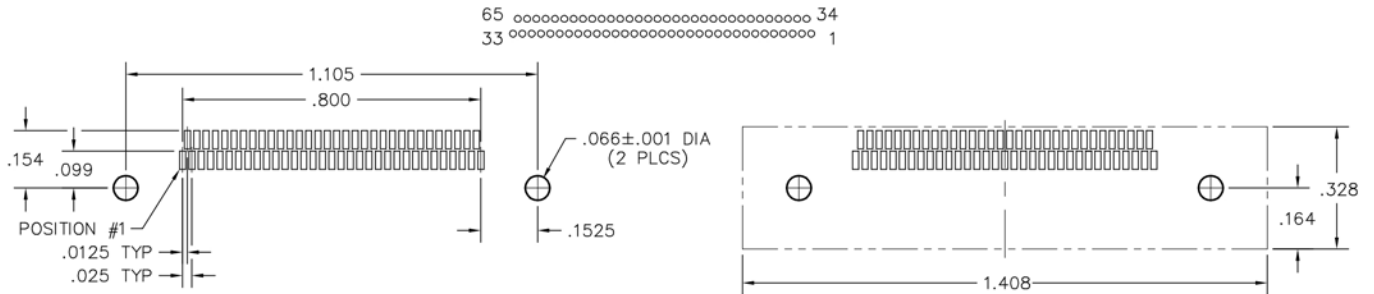
Horizontal SMT Rcpt
FOR REFERENCE ONLY

No solder mask allowed within connector outline

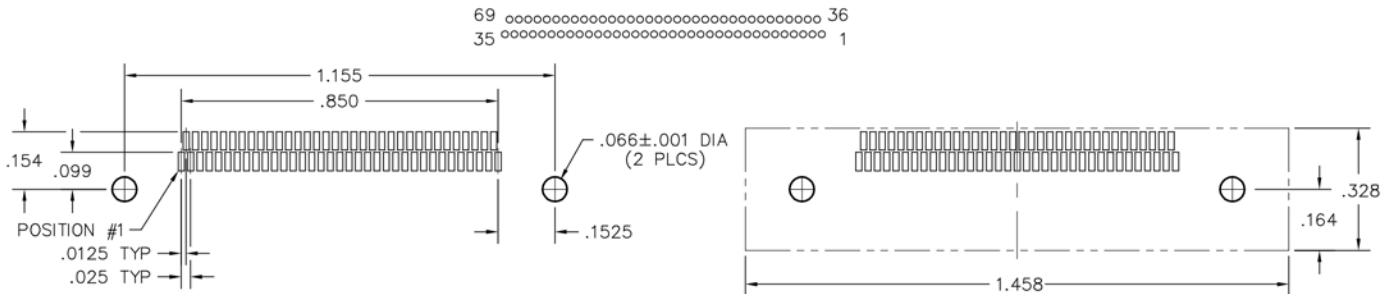
51 POSITION



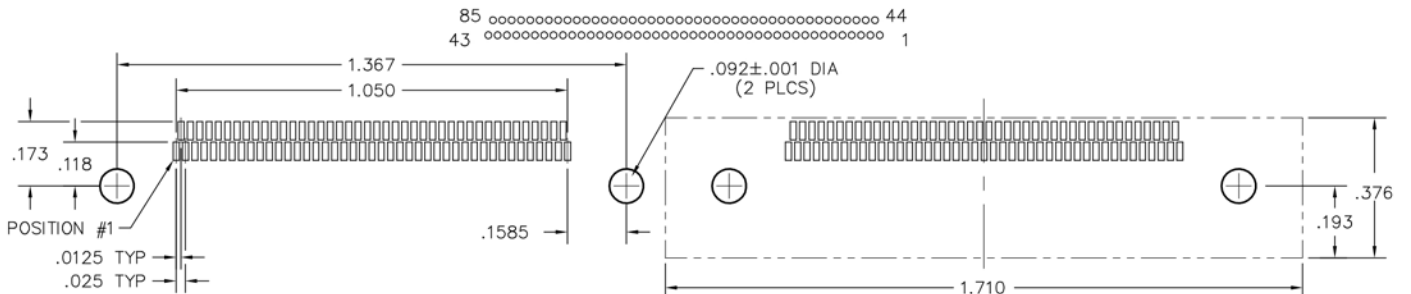
65 POSITION



69 POSITION

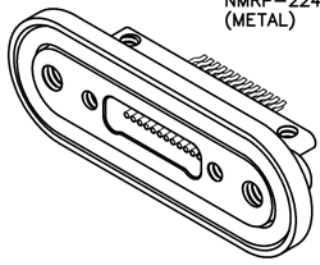


85 POSITION



2 • ROW Rear Panel Mount Straddle Mount

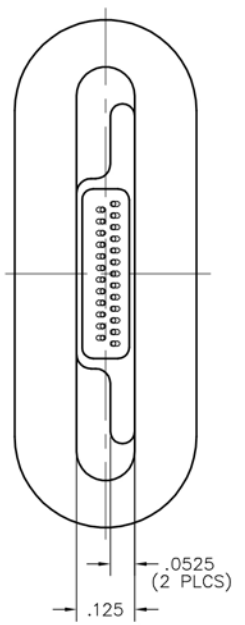
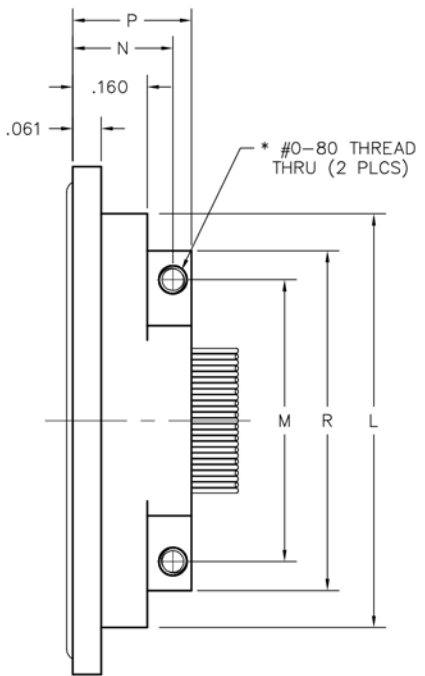
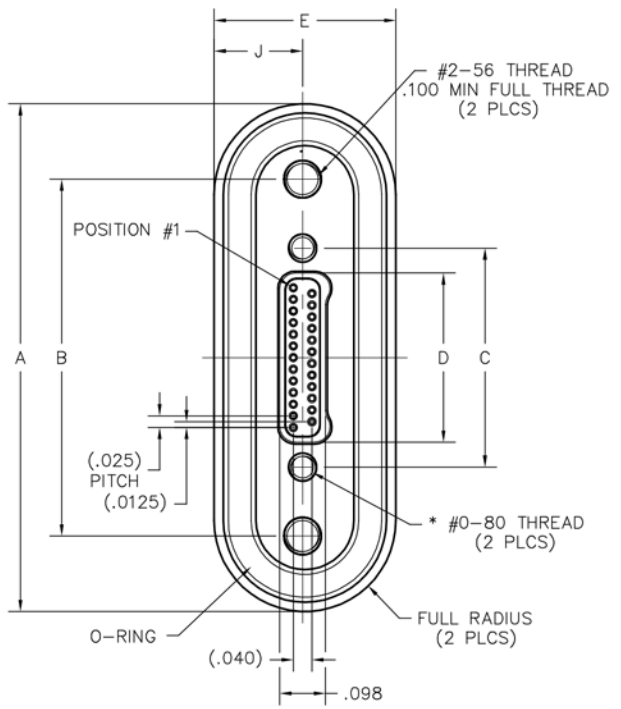
NMRP-224-025-225-TH00
(METAL)



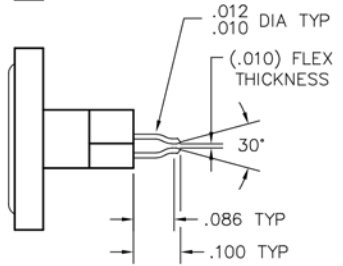
.025"

NMRP

9 thru 85 Contacts



RECEPTACLE



DIMENSIONS											
SIZE	A	B	C	D	E	J	L	M	N	P	R
9	.890	.566	.270	.163	.390	.190	.688	.405	.215	.255	.531
15	.965	.641	.345	.238			.763	.480			.606
21	1.040	.716	.420	.313			.838	.555			.681
25	1.090	.766	.470	.363			.888	.605			.731
31	1.165	.841	.545	.438			.963	.680			.806
37	1.240	.916	.620	.513			1.038	.755			.881
51	1.415	1.091	.795	.688			1.213	.930			1.056
65	1.590	1.266	.970	.863			1.388	1.105			1.231
69	1.640	1.316	1.020	.913			1.438	1.155			1.281
85	1.892	1.568	1.246	1.113			.415	.2025			1.690

* = #2-56 UNC THREAD ON 85 POSITION CONNECTORS.

RECEPTACLE: NMRP-224-025-225-TH00
 XXXX-XXX-XXX-XXX-XXXX-XXX

SERIES

NMRP .025" Metal Straddle Mount Flex Connector

BODY

2 2-Row

BODY STYLE:

2 Receptacle, straight, rear panel mount with fluorosilicone o-ring

BODY MATERIAL:

4 Liquid Crystal Polymer w/ stainless steel shell

SIZE

XXX Number of contacts (009, 015, 021, 025, 031, 037, 051, 065, 069 or 085)

CONTACTS

TYPE CONTACTS/TERMINATIONS:

22 Socket, SMT

PLATING OPTIONS:

5 50 u" Au contacts; Sn/Pb alloy terminations
 8 50 u" Au contacts; Tin plated terminations

HARDWARE

STYLE OF HARDWARE:

TH Threaded hole, #0-80 UNF*

WIRING OPTIONS:

00 None

OPTIONS

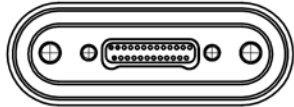
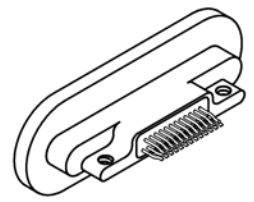
EMI EMI o-ring (in lieu of fluorosilicone o-ring)

* = #2-56 UNC thread on 85 position connectors
 Recommended torque value 1.0 inch-lbs. max. (#0-80 thread)
 Recommended torque value 2.0 inch-lbs. max. (#2-56 thread)

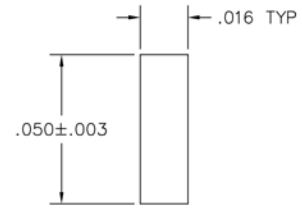
= Option not RoHS compliant

Recommended PC Board Layout

Straddle Mount Rcpt
FOR REFERENCE ONLY

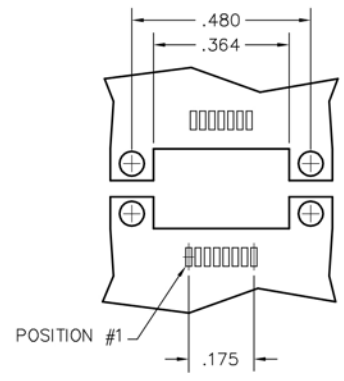


CONNECTOR MATING FACE

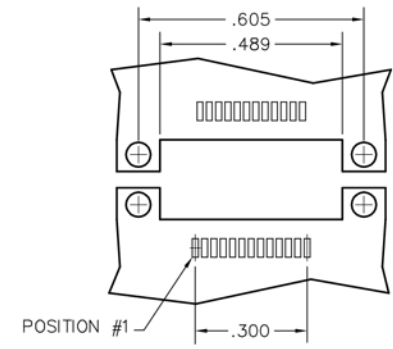


FOOTPRINT / PAD CONFIGURATION

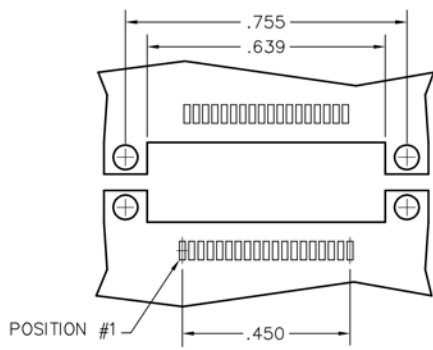
15 POSITION



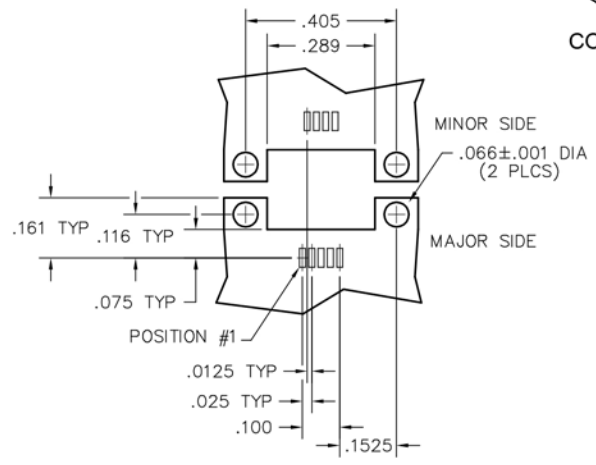
25 POSITION



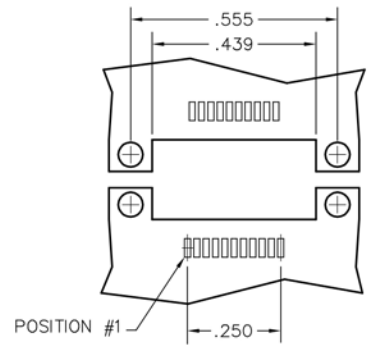
37 POSITION



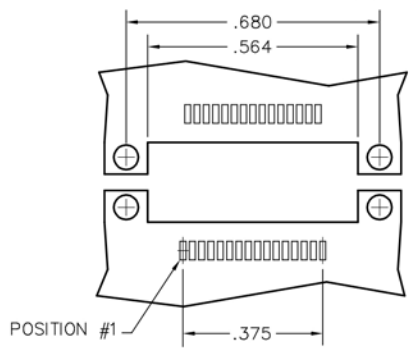
9 POSITION

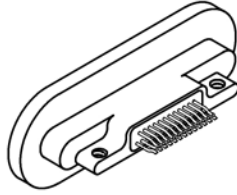
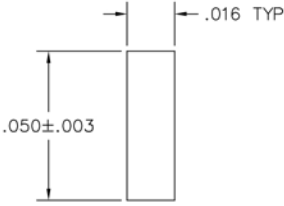


21 POSITION



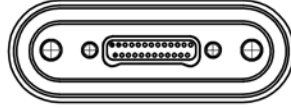
31 POSITION





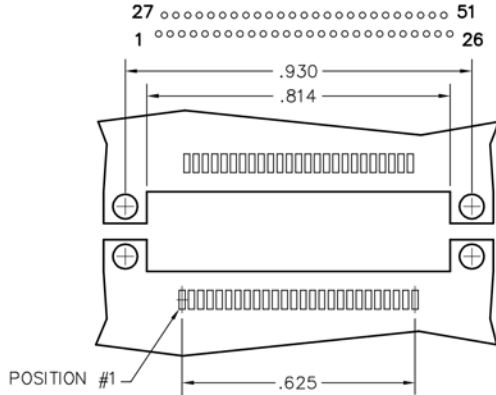
Recommended PC Board Layout

Straddle Mount Rcpt
FOR REFERENCE ONLY



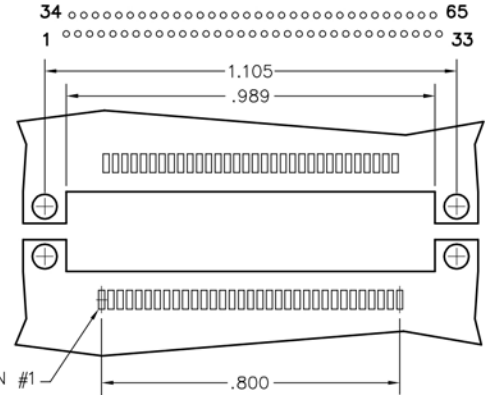
FOOTPRINT / PAD CONFIGURATION

51 POSITION

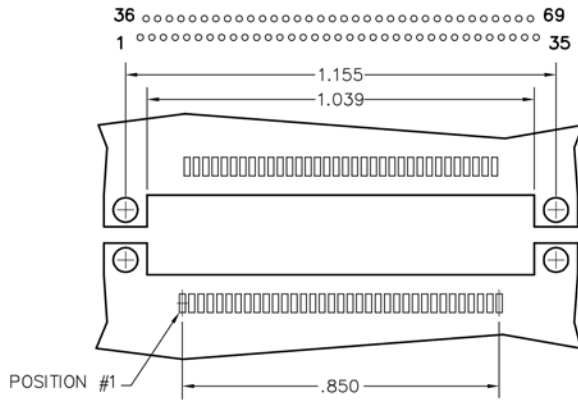


CONNECTOR MATING FACE

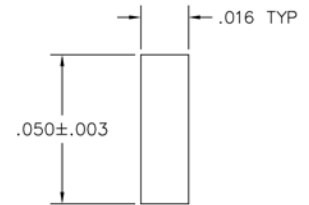
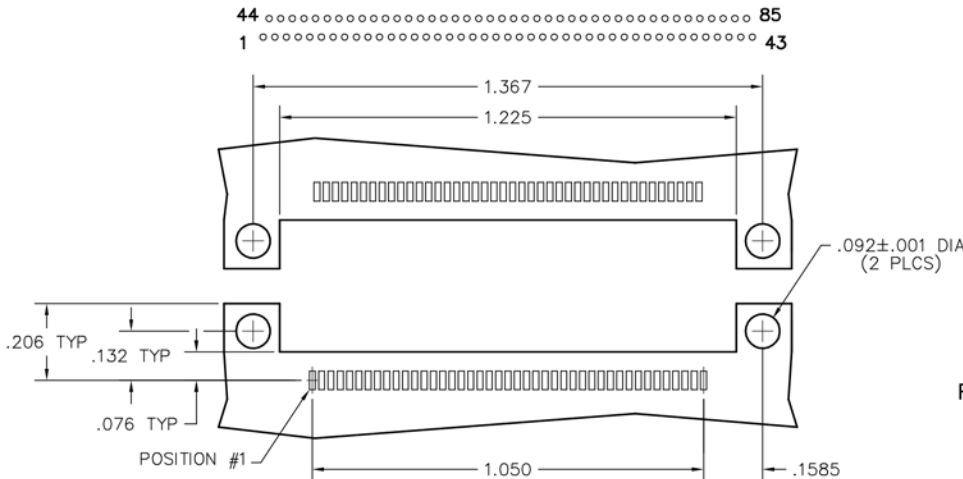
65 POSITION



69 POSITION

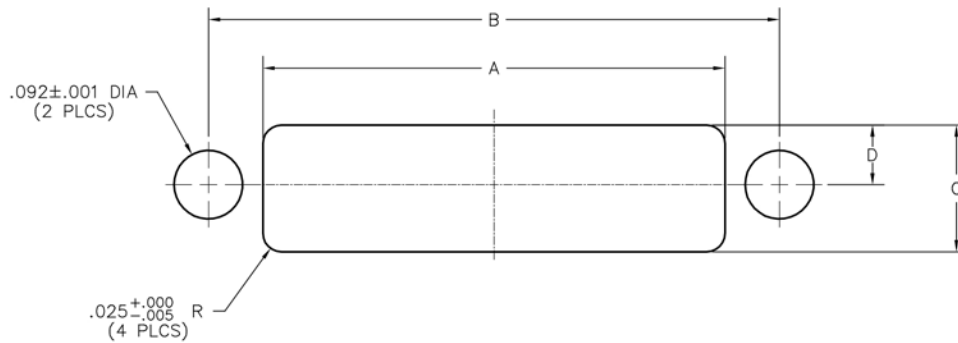


85 POSITION



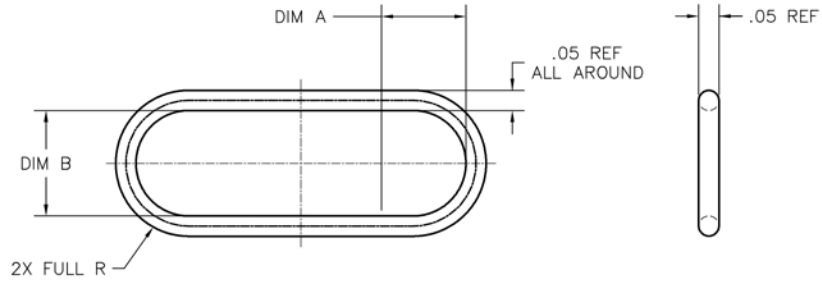
FOOTPRINT / PAD CONFIGURATION

Panel Mounting Dimensions for Rear Panel Mount Connectors



DIMENSIONS				
SIZE	A ^{+0.004} / _{-.000}	B ±.002	C ^{+0.004} / _{-.000}	D ±.001
9	.420	.566	.170	.080
15	.495	.641	.170	.080
21	.570	.716	.170	.080
25	.620	.766	.170	.080
31	.695	.841	.170	.080
37	.770	.916	.170	.080
51	.945	1.091	.170	.080
65	1.120	1.266	.170	.080
69	1.170	1.316	.170	.080
85	1.422	1.568	.195	.0925

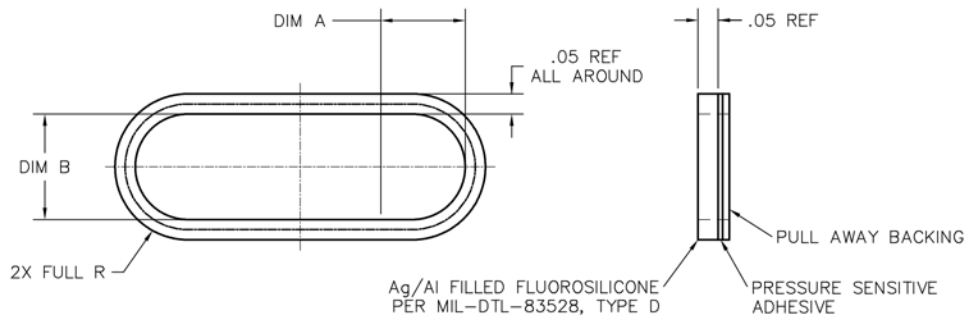
O-Rings, Fluorosilicone



DIMENSIONS (Ref Only)			
SIZE	CONTACT ROWS	A	B
9	2	.73	.23
15		.81	
21		.88	
25		.93	
31		1.01	
37		1.08	
51		1.26	
65		1.43	
69	1.48		
85	2	1.73	.26

PART NUMBERS	
SIZE	P/N
9	CDP1980
15	CDP1981
21	CDP1982
25	CDP1983
31	CDP1984
37	CDP1985
51	CDP1986
65	CDP1987
69	CDP1988
85	CDP1989

EMI Gasket, Fluorosilicone



DIMENSIONS (Ref Only)			
SIZE	CONTACT ROWS	A	B
9	2	.74	.24
15		.81	
21		.89	
25		.94	
31		1.01	
37		1.09	
51		1.26	
65		1.44	
69	1.49		
85	2	1.74	.26

PART NUMBERS	
SIZE	P/N
9	CDP1990
15	CDP1991
21	CDP1992
25	CDP1993
31	CDP1994
37	CDP1995
51	CDP1996
65	CDP1997
69	CDP1998
85	CDP1999



"N" SERIES ACCESSORIES

AirBorn Standard Nano Wire Codes

Wire Code	Wire Size	Wire Spec	Wire Color	Wire Length (+1.0"/-0.0")
AA	30 AWG	NEMA HP3	Color Coded *	6.0
AB	30 AWG	NEMA HP3	Color Coded *	12.0
AC	30 AWG	NEMA HP3	Color Coded *	18.0
AD	30 AWG	NEMA HP3	Color Coded *	36.0
AE	30 AWG	NEMA HP3	White	6.0
AF	30 AWG	NEMA HP3	White	12.0
AG	30 AWG	NEMA HP3	White	18.0
AH	30 AWG	NEMA HP3	White	36.0
AJ	30 AWG	NEMA HP3	Yellow	6.0
AK	30 AWG	NEMA HP3	Yellow	12.0
AL	30 AWG	NEMA HP3	Yellow	18.0
AM	30 AWG	NEMA HP3	Yellow	36.0
AN	32 AWG	NEMA HP3	Color Coded *	6.0
AP	32 AWG	NEMA HP3	Color Coded *	12.0
AQ	32 AWG	NEMA HP3	Color Coded *	18.0
AR	32 AWG	NEMA HP3	Color Coded *	36.0
AS	32 AWG	NEMA HP3	White	6.0
AT	32 AWG	NEMA HP3	White	12.0
AU	32 AWG	NEMA HP3	White	18.0
AV	32 AWG	NEMA HP3	White	36.0
AW	32 AWG	NEMA HP3	Yellow	6.0
AX	32 AWG	NEMA HP3	Yellow	12.0
AY	32 AWG	NEMA HP3	Yellow	18.0
AZ	32 AWG	NEMA HP3	Yellow	36.0
BA	30 AWG	SAE-AS22759/33 ☒	Color Coded *	6.0
BB	30 AWG	SAE-AS22759/33 ☒	Color Coded *	12.0
BC	30 AWG	SAE-AS22759/33 ☒	Color Coded *	18.0
BD	30 AWG	SAE-AS22759/33 ☒	Color Coded *	36.0
BE	30 AWG	SAE-AS22759/33 ☒	White	6.0
BF	30 AWG	SAE-AS22759/33 ☒	White	12.0
BG	30 AWG	SAE-AS22759/33 ☒	White	18.0
BH	30 AWG	SAE-AS22759/33 ☒	White	36.0
CA	30 AWG	04047-30A ☒	Color Coded *	6.0
CB	30 AWG	04047-30A ☒	Color Coded *	12.0
CC	30 AWG	04047-30A ☒	Color Coded *	18.0
CD	30 AWG	04047-30A ☒	Color Coded *	36.0
CE	30 AWG	04047-30A ☒	White	6.0
CF	30 AWG	04047-30A ☒	White	12.0
CG	30 AWG	04047-30A ☒	White	18.0
CH	30 AWG	04047-30A ☒	White	36.0

- NEMA HP3 has replaced MIL-W-16878/6 TFE 7-strand ET
- Consult factory for other available wire types.

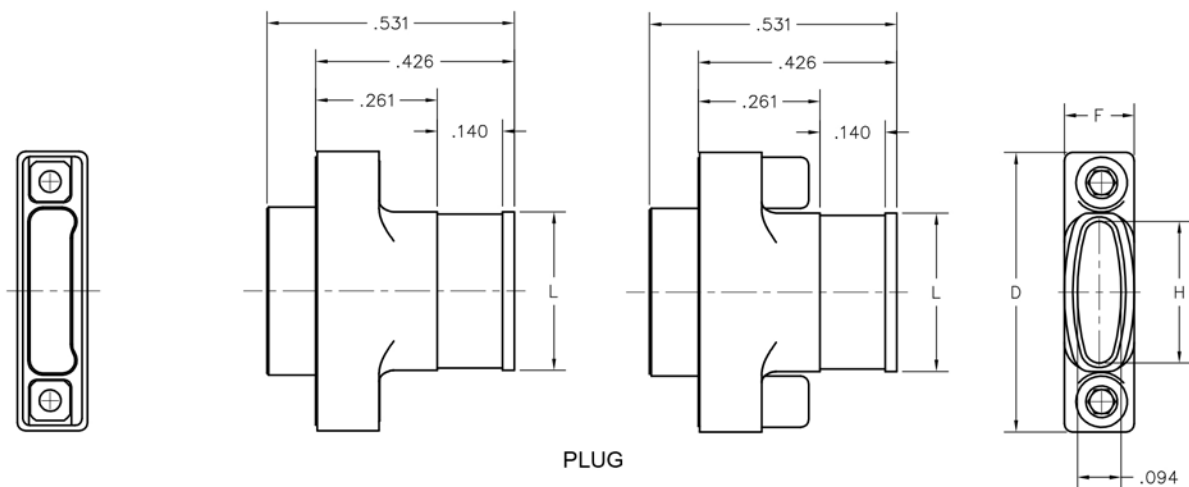
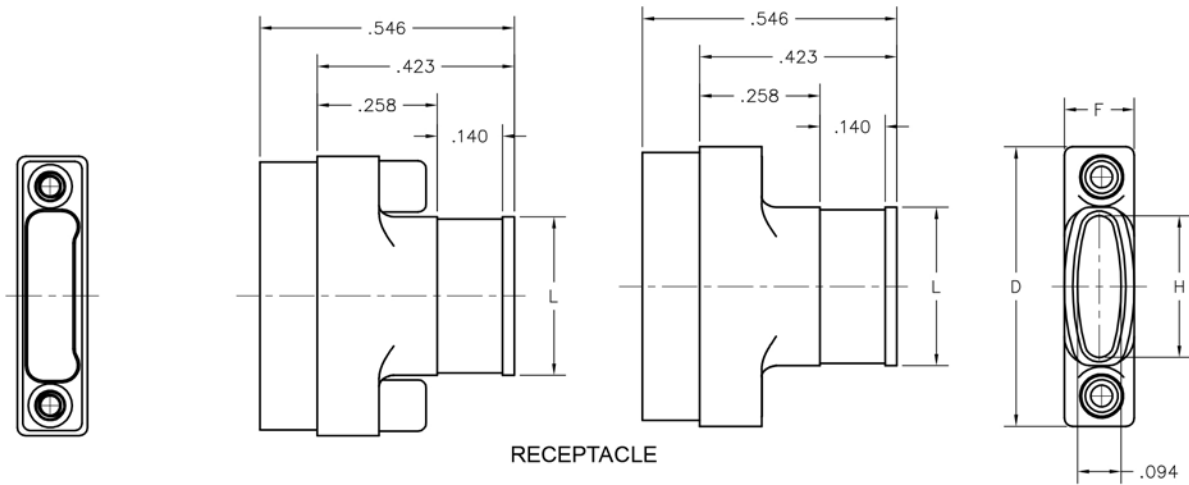
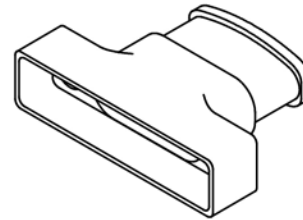
* = Color coding in accordance with MIL-STD-681, System I, except using ten solid colors only in repeating sequence.

☒ = Option not RoHS compliant

2 · ROW BACKSHELLS

NM

Size 9 thru 91



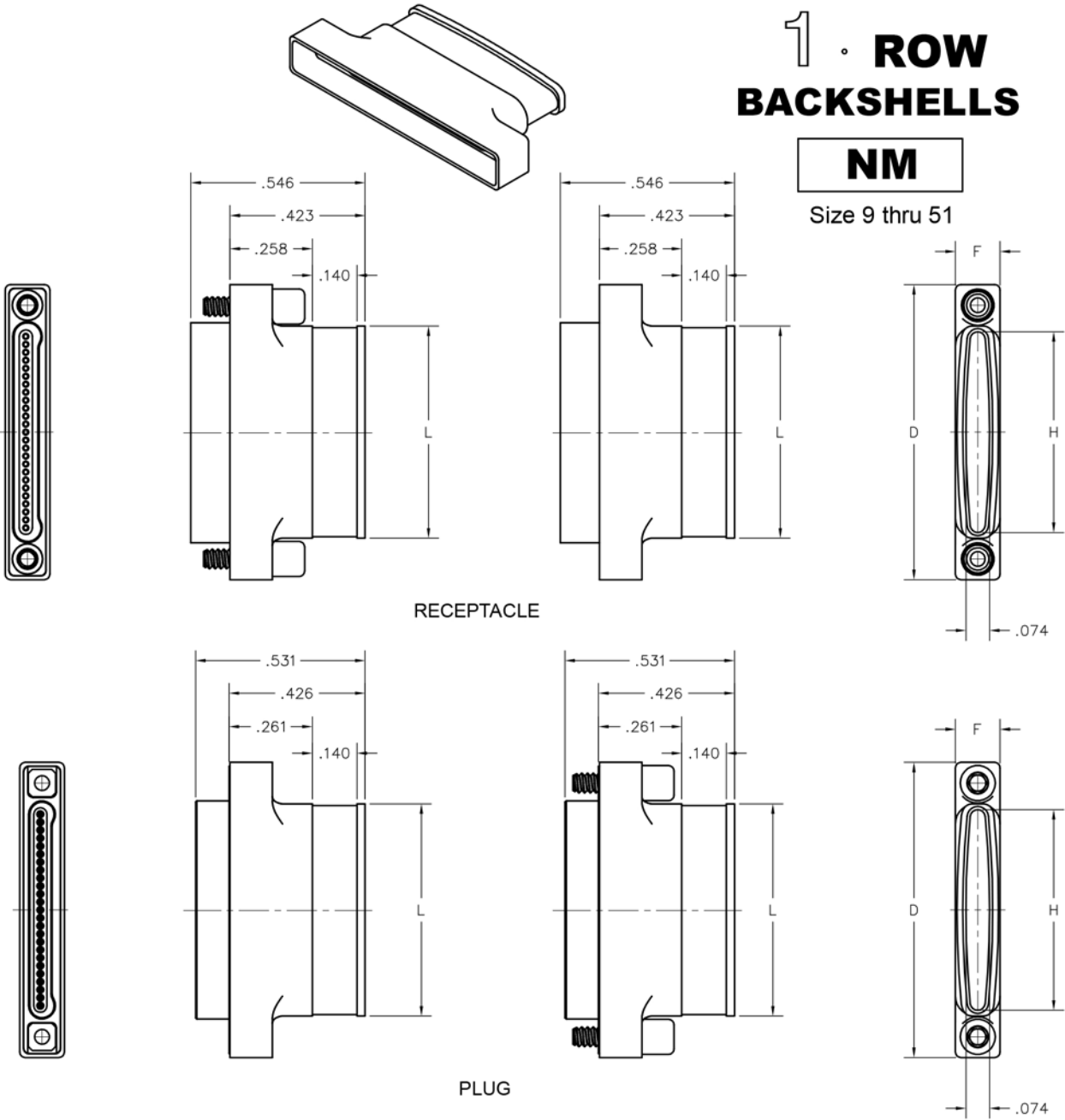
DIMENSIONS					
SIZE	D	F	H	L	HARDWARE
9	.400	.150	.104	.140	#0-80
15	.475		.179	.215	
21	.550		.254	.290	
25	.600		.304	.340	
31	.675		.379	.415	
37	.750		.454	.490	
51	.925		.629	.665	
65	1.100		.804	.840	
69	1.150	.854	.890	#2-56	
85	1.402	.175	1.054		1.090
91	1.477	.175	1.129		1.165

THESE BACKSHELLS ARE AVAILABLE FACTORY INSTALLED ONLY, SEE PAGE N-43

1 · ROW BACKSHELLS

NM

Size 9 thru 51



RECEPTACLE

PLUG

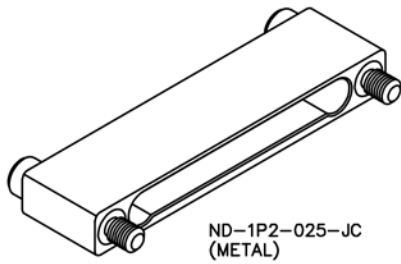
DIMENSIONS					
SIZE	D	F	H	L	HARDWARE
9	.525	.140	.229	.265	#0-80
15	.675		.379	.415	
21	.825		.529	.565	
25	.925		.629	.665	
31	1.075		.779	.815	
37	1.225		.929	.965	
51	1.575		1.279	1.315	

THESE BACKSHELLS ARE AVAILABLE FACTORY INSTALLED ONLY. SEE PAGE N-10

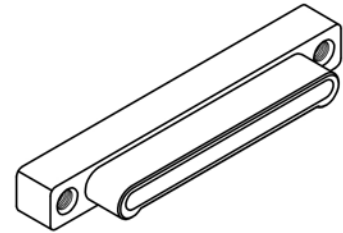
1 • ROW Dust Cover

ND

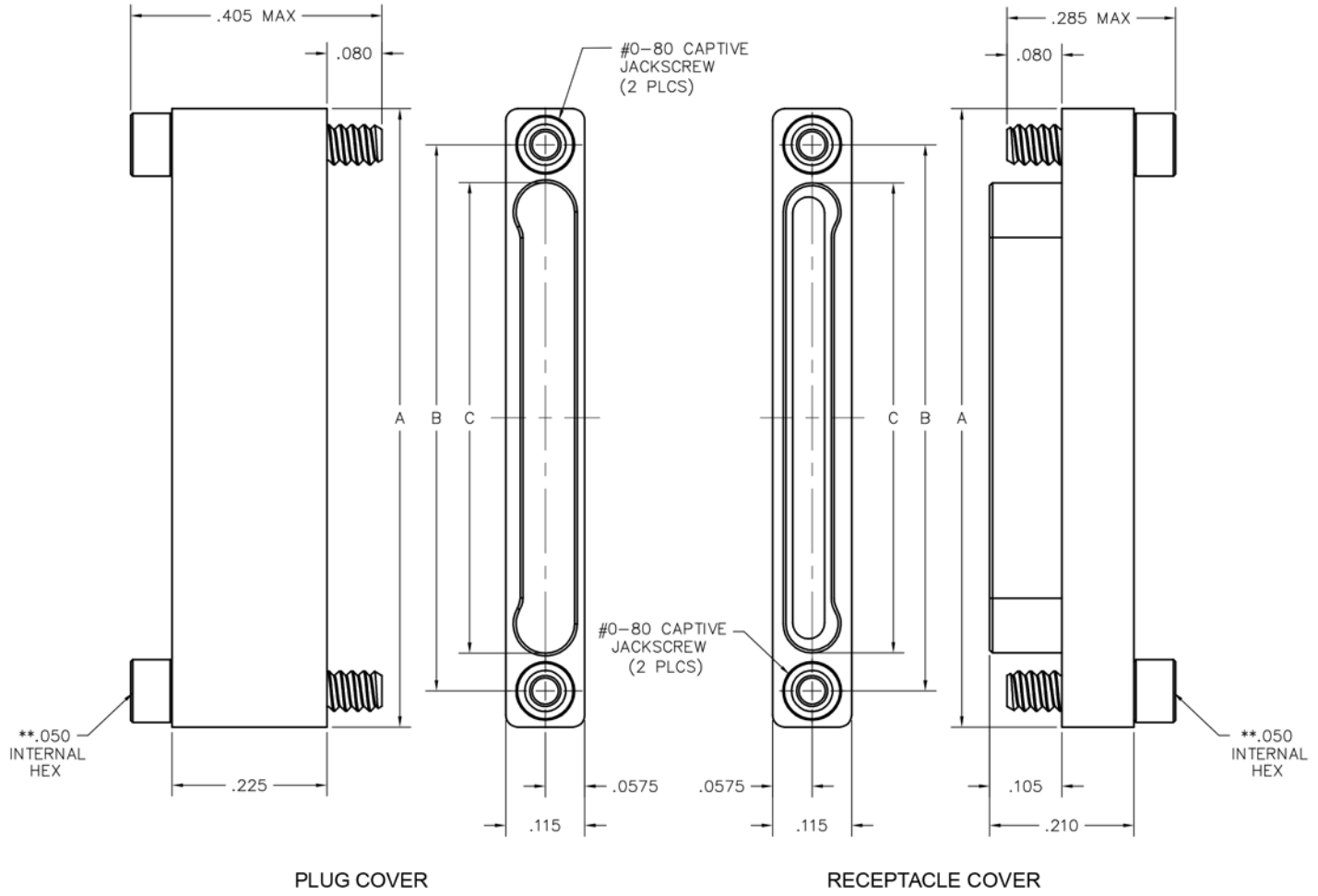
Size 9 thru 51



ND-1P2-025-JC
(METAL)



ND-1R2-025-TH
(METAL)



PLUG COVER

RECEPTACLE COVER

SIZE	A	B	C	
			PLUG	RCPT
9	.500	.395	.285	.284
15	.650	.545	.435	.434
21	.800	.695	.585	.584
25	.900	.795	.685	.684
31	1.050	.945	.835	.834
37	1.200	1.095	.985	.984
51	1.550	1.445	1.335	1.334

** = HEX MEASUREMENT TAKEN ACROSS THE FLATS.



PLUG COVER: ND-1P2-009-JC
RECEPTACLE COVER: ND-1R2-009-TH
 XX-XXX-XXX-XX

PLUG COVER		RECEPTACLE COVER	
SERIES			
ND .025" Metal Dust Cover		ND .025" Metal Dust Cover	
BODY			
1	1-Row	1	1-Row
BODY STYLE:		BODY STYLE:	
P	Plug cover	R	Receptacle cover
BODY PLATING:		BODY PLATING:	
2	Electroless nickel	2	Electroless nickel
3	Electrodeposited cadmium <input checked="" type="checkbox"/>	3	Electrodeposited cadmium <input checked="" type="checkbox"/>
SIZE			
XXX 009, 015, 021, 025, 031, 037 or 051		XXX 009, 015, 021, 025, 031, 037 or 051	
HARDWARE			
STYLE OF HARDWARE:		STYLE OF HARDWARE:	
JC	Turning jackscrews, captivated #0-80 UNF*	JC	Turning jackscrews, captivated #0-80 UNF*
TH	Threaded hole, #0-80 UNF	TH	Threaded hole, #0-80 UNF

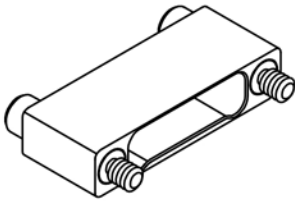
* = Recommended torque value 1.0 inch-lbs. max.
 Ball end hex wrench not recommended
 Hex wrench key/bit conforming to the requirements of ASME / ANSI-B-18.3 is recommended.
 .050" hex L-key long arm wrench - order AirBorn p/n CDG14148.

= Option not RoHS compliant

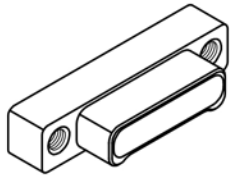
2 · ROW Dust Cover

ND

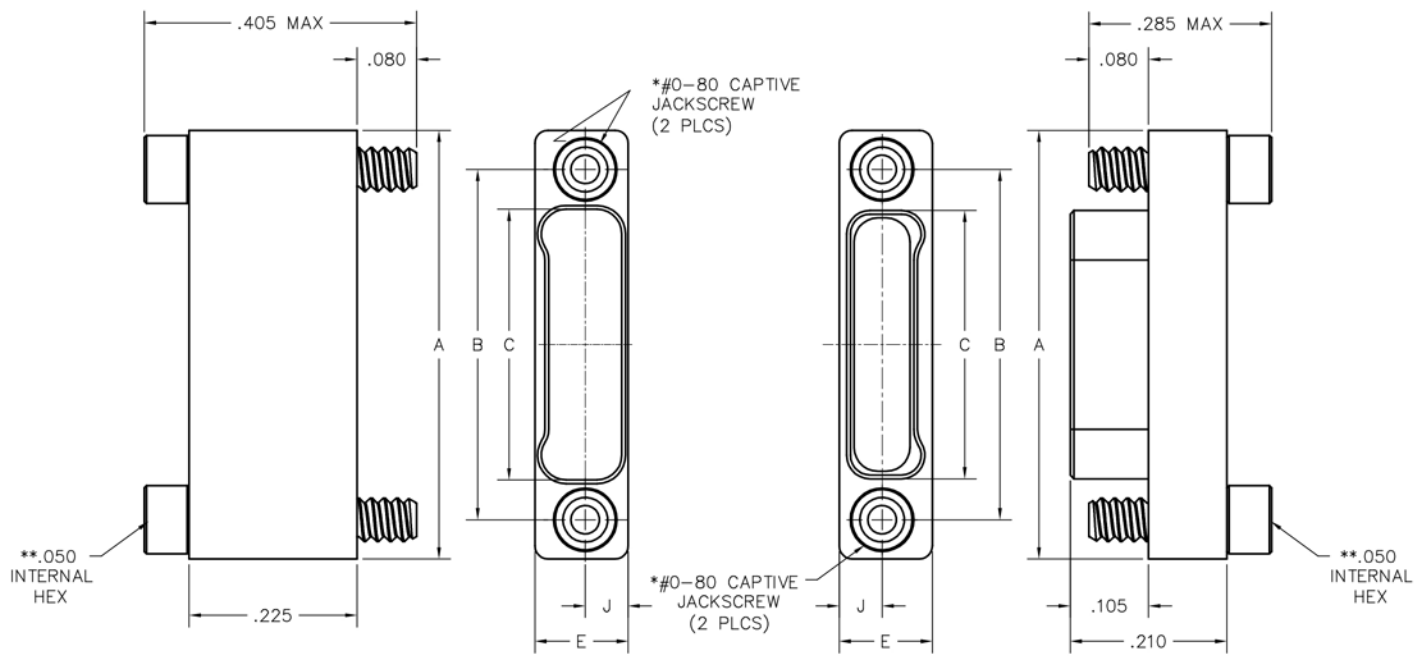
Size 9 thru 91



ND-2P2-025-JC
(METAL)



ND-2R2-025-TH
(METAL)



PLUG COVER

RECEPTACLE COVER

SIZE	DIMENSIONS						*HARDWARE
	A	B	C		E	J	
			PLUG	RCPT			
9	.375	.270	.163	.160	.125	.0575	#0-80 THREAD
15	.450	.345	.238	.235			
21	.525	.420	.313	.310			
25	.575	.470	.363	.360			
31	.650	.545	.438	.435			
37	.725	.620	.513	.510			
51	.900	.795	.688	.685			
65	1.075	.970	.863	.860			
69	1.125	1.020	.913	.910			
85	1.377	1.246	1.113	1.110			
91	1.452	1.321	1.188	1.185			

* = #2-56 UNC THREAD ON 85, 91 POSITION CONNECTORS.
 ** = 1/16" HEX ON 85 POSITION CONNECTORS. HEX MEASUREMENTS TAKEN ACROSS THE FLATS.



PLUG COVER: ND-2P2-009-JC
RECEPTACLE COVER: ND-2R2-009-TH
 XX-XXX-XXX-XX

PLUG COVER		RECEPTACLE COVER	
SERIES			
ND	.025" Metal Dust Cover	ND	.025" Metal Dust Cover
BODY			
2	2-Row	2	2-Row
BODY STYLE:		BODY STYLE:	
P	Plug cover	R	Receptacle cover
BODY PLATING:		BODY PLATING:	
2	Electroless nickel	2	Electroless nickel
3	Electrodeposited cadmium <input checked="" type="checkbox"/>	3	Electrodeposited cadmium <input checked="" type="checkbox"/>
SIZE			
XXX	009, 015, 021, 025, 031, 037, 051, 065, 069, 085 or 091	XXX	009, 015, 021, 025, 031, 037, 051, 065, 069, 085 or 091
HARDWARE			
STYLE OF HARDWARE:		STYLE OF HARDWARE:	
JC	Turning jackscrews, captivated #0-80 UNF*	JC	Turning jackscrews, captivated #0-80 UNF*
TH	Threaded hole, #0-80 UNF*	TH	Threaded hole, #0-80 UNF*

* = #2-56 UNC thread on 85, 91 position covers
 .050 hex key (#0-80 thread)
 1/16" hex key (#2-56 thread)
 Recommended torque value 1.0 inch-lbs. max. (#0-80 thread)
 Recommended torque value 2.0 inch-lbs. max. (#2-56 thread)
 Ball end hex wrench not recommended
 Hex wrench key/bit conforming to the requirements of ASME / ANSI-B-18.3 is recommended.
 .050" hex L-key long arm wrench - order AirBorn p/n CDG14148.
 1/16" hex L-key long arm wrench - order AirBorn p/n CDG14160.

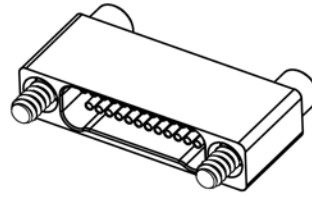
= Option not RoHS compliant

2 · ROW Shorting

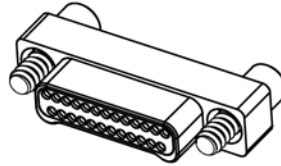
.025"

NMSH

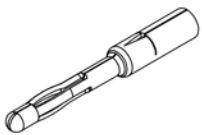
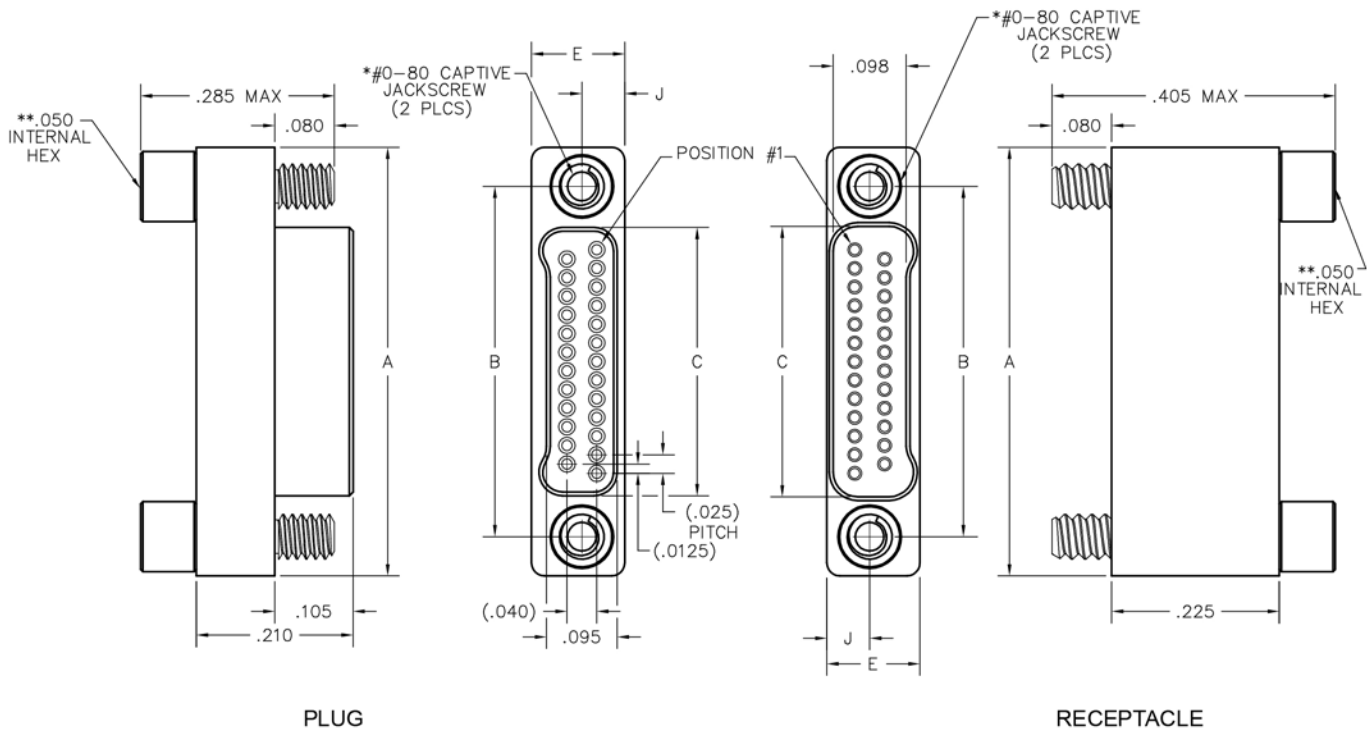
9 thru 91 Contacts



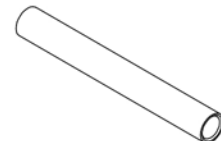
NMSH-222-025-225-JC00
(METAL)



NMSH-212-025-125-JC00
(METAL)



PIN CONTACT
3 TINE SPRING MEMBER, CRIMP



SOCKET CONTACT
DRAWN TUBE, CRIMP

SIZE	DIMENSIONS				E	J	*HARDWARE
	A	B	PLUG	RCPT			
9	.375	.270	.160	.163	.125	.0575	#0-80 THREAD
15	.450	.345	.235	.238			
21	.525	.420	.310	.313			
25	.575	.470	.360	.363			
31	.650	.545	.435	.438			
37	.725	.620	.510	.513			
51	.900	.795	.685	.688			
65	1.075	.970	.860	.863	.150	.0700	#2-56 THREAD
69	1.125	1.020	.910	.913			
85	1.377	1.246	1.110	1.113			
91	1.452	1.321	1.185	1.188			

* = #2-56 UNC THREAD ON 85, 91 POSITION CONNECTORS.
 ** = 1/16" HEX ON 85, 91 POSITION CONNECTORS. HEX MEASUREMENTS TAKEN ACROSS THE FLATS.



PLUG: NMSH-212-025-125-JC00
RECEPTACLE: NMSH-222-025-225-JC00
 XXXX-XXX-XXX-XXX-XXXX-XXX

PLUG		RECEPTACLE	
SERIES			
NMSH .025" Metal I/O Connector		NMSH .025" Metal I/O Connector	
BODY			
2	2-Row	2	2-Row
BODY STYLE:		BODY STYLE:	
1	Plug, straight	L	Receptacle, vertical SMT w/ mounting ears
BODY MATERIAL:		BODY MATERIAL:	
2	Liquid Crystal Polymer w/ electroless nickel shell	2	Liquid Crystal Polymer w/ electroless nickel shell
3	Liquid Crystal Polymer w/ electrodeposited cadmium shell <input checked="" type="checkbox"/>	3	Liquid Crystal Polymer w/ electrodeposited cadmium shell <input checked="" type="checkbox"/>
4	Liquid Crystal Polymer w/ stainless steel shell	4	Liquid Crystal Polymer w/ stainless steel shell
5	Liquid Crystal Polymer w/ titanium shell	5	Liquid Crystal Polymer w/ titanium shell
SIZE			
XXX Number of contacts (009, 015, 021, 025, 031, 037, 051, 065, 069, 085 or 091)		XXX Number of contacts (009, 015, 021, 025, 031, 037, 051, 065, 069, 085 or 091)	
CONTACTS			
TYPE CONTACTS/TERMINATIONS:		TYPE CONTACTS/TERMINATIONS:	
12	Pin, none	22	Socket, none
PLATING OPTIONS:		PLATING OPTIONS:	
5	50 u" Au contacts, Sn/Pb alloy terminations <input checked="" type="checkbox"/>	5	50 u" Au contacts, Sn/Pb alloy terminations <input checked="" type="checkbox"/>
8	50 u" Au contacts, tin plated terminations	8	50 u" Au contacts, tin plated terminations
HARDWARE			
STYLE OF HARDWARE:		STYLE OF HARDWARE:	
JC	Turning jackscrews, captivated #0-80 UNF*	JC	Turning jackscrews, captivated #0-80 UNF*
TH	Threaded hole, #0-80 UNF* **	TH	Threaded hole, #0-80 UNF* **
WIRING OPTIONS:		WIRING OPTIONS:	
00	None, all contacts shorted together (not to shell)	00	None, all contacts shorted together (not to shell)
OPTIONS			
yyy	Selectively shorted contacts. Contact factory for modification code.		

* = #2-56 UNC thread on 85, 91 position connectors
 .050 hex key (#0-80 thread)
 1/16" hex key (#2-56 thread)
 Recommended torque value 1.0 inch-lbs. max. (#0-80 thread)
 Recommended torque value 2.0 inch-lbs. max. (#2-56 thread)
 Ball end hex wrench not recommended
 Hex wrench key/bit conforming to the requirements of ASME / ANSI-B-18.3 is recommended.
 .050" hex L-key long arm wrench - order AirBorn p/n CDG14148.
 1/16" hex L-key long arm wrench - order AirBorn p/n CDG14160.
 ** = Threaded hole tapped directly into stainless steel and titanium shells, aluminum shells have stainless steel.

= Option not RoHS compliant

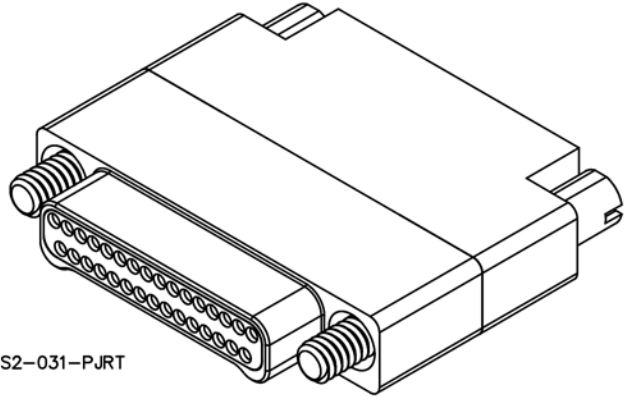


2 · ROW Connector Saver

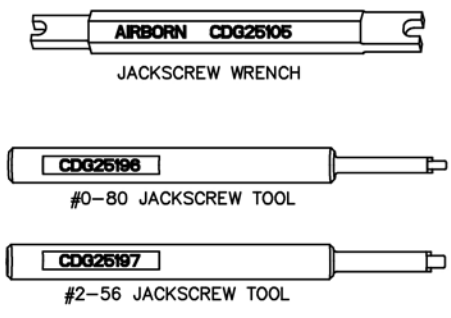
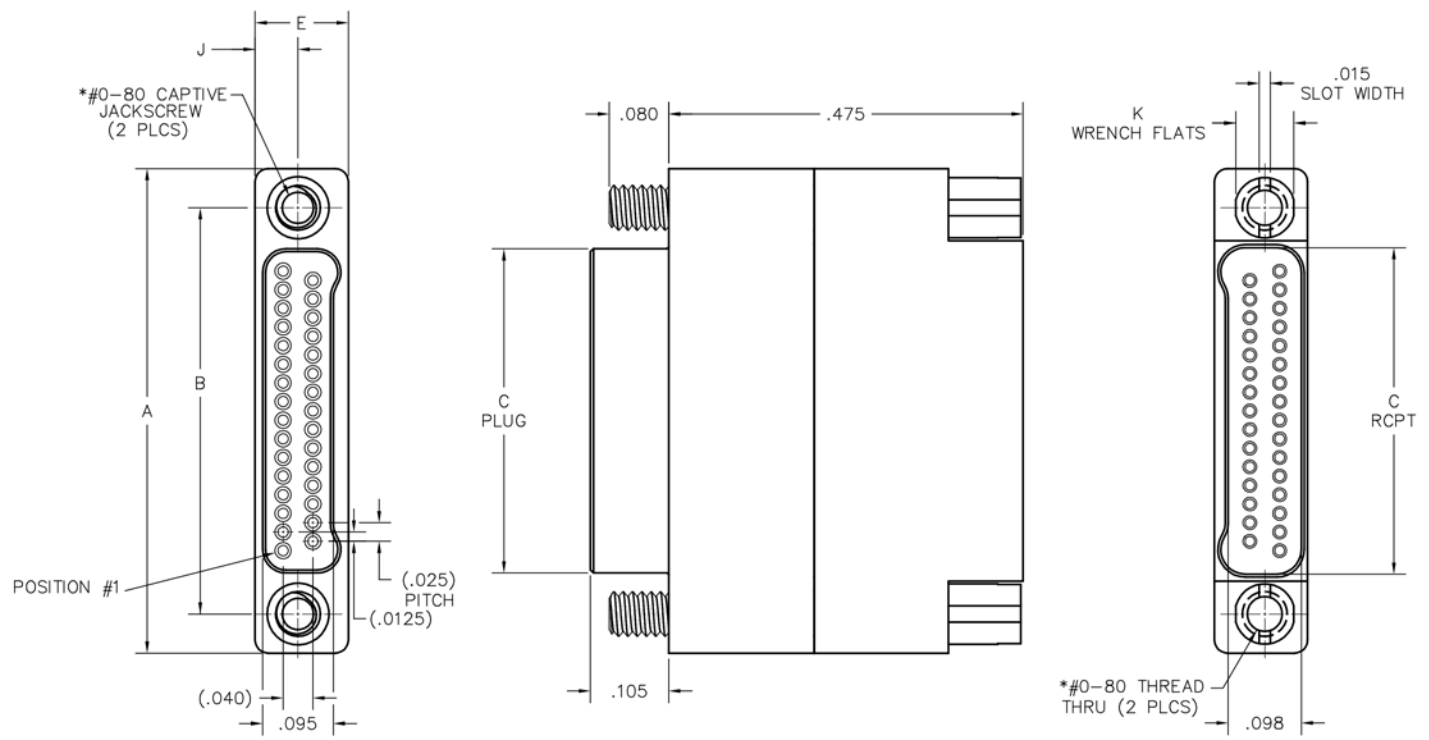
.025"

NMCS

9 thru 91 Contacts



NMCS-2S2-031-PJRT

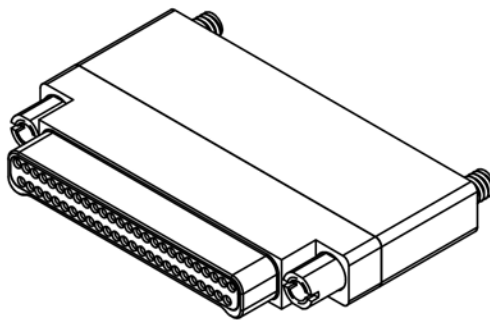


SIZE	A	B	C		E	J	K	*HARDWARE
			PLUG	RCPT				
9	.375	.270	.160	.163	.125	.0575	.078	#0-80 THREAD
15	.450	.345	.235	.238				
21	.525	.420	.310	.313				
25	.575	.470	.360	.363				
31	.650	.545	.435	.438				
37	.725	.620	.510	.513				
51	.900	.795	.685	.688				
65	1.075	.970	.860	.863	.150	.0700	.094	#2-56 THREAD
69	1.125	1.020	.910	.913				
85	1.377	1.246	1.110	1.113				
91	1.452	1.321	1.185	1.198				

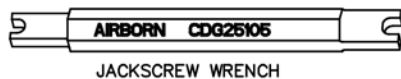
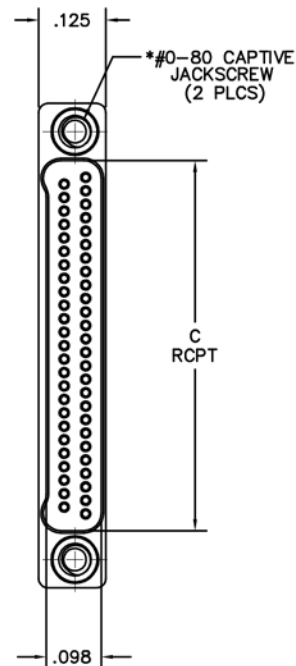
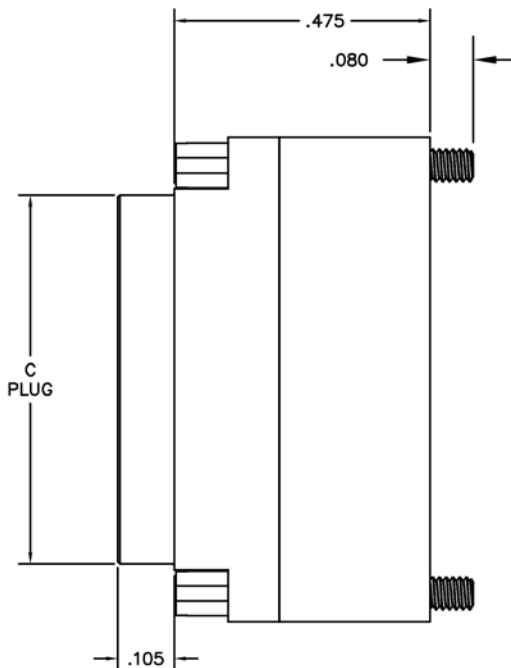
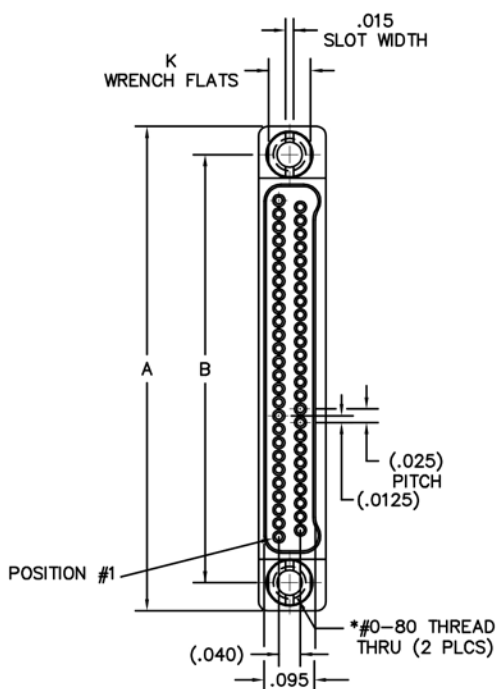
* = #2-56 UNC THREAD ON 85 AND 91 POSITION CONNECTORS.
 ** = 1/16" HEX ON 85 & 91 POSITION CONNECTORS.
 HEX MEASUREMENTS TAKEN ACROSS THE FLATS.

2 · ROW Connector Saver .025" NMCS

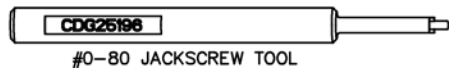
9 thru 91 Contacts



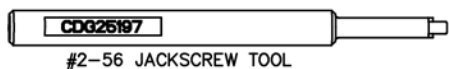
NMCS-2S2-037-PTRJ



JACKSCREW WRENCH



#0-80 JACKSCREW TOOL



#2-56 JACKSCREW TOOL

SIZE	A	B	C		E	J	K	*HARDWARE
			PLUG	RCPT				
9	.375	.270	.160	.163	.125	.0575	.078	#0-80 THREAD
15	.450	.345	.235	.238				
21	.525	.420	.310	.313				
25	.575	.470	.360	.363				
31	.650	.545	.435	.438				
37	.725	.620	.510	.513				
51	.900	.795	.685	.688				
65	1.075	.970	.860	.863	.150	.0700	.094	#2-56 THREAD
69	1.125	1.020	.910	.913				
85	1.377	1.246	1.110	1.113				
91	1.452	1.321	1.185	1.195				

* = #2-56 UNC THREAD ON 85 AND 91 POSITION CONNECTORS.
 ** = 1/16" HEX ON 85 POSITION CONNECTORS. HEX MEASUREMENTS TAKEN ACROSS THE FLATS.

CONNECTOR SAVER: NMCS-2S2-025-PJRT
 NMCS-XS2-XXX-PXRX

SERIES	
NMCS	.025" Metal I/O Connector Saver

BODY	
2	2-Row
S	BODY STYLE: Saver
BODY MATERIAL:	
2	Liquid Crystal Polymer w/ electroless nickel shell
3	Liquid Crystal Polymer w/ electroless electrodeposited cadmium shell <input checked="" type="checkbox"/>
4	Liquid Crystal Polymer w/ stainless steel shell
5	Liquid Crystal Polymer w/ titanium shell

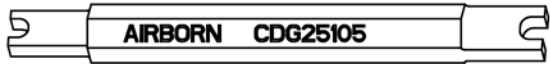
SIZE	
XXX	Number of contacts (009, 015, 021, 025, 031, 037, 051, 065, 069, 085 or 091)

HARDWARE	
STYLE OF HARDWARE:	
PJRT	PLUG with Turning jackscrews, captivated #0-80 UNF*, RECEPTACLE with Threaded hole, #0-80 UNF*
PTRJ	PLUG with Threaded hole, #0-80 UNF*, RECEPTACLE with Turning jackscrews, captivated #0-80 UNF*

* = #2-56 UNC thread on 85 & 91 position connectors

Recommended torque value 1.0 inch-lbs. max. (#0-80 thread)
 Recommended torque value 2.0 inch-lbs. max. (#2-56 thread)

Jackscrew Wrench - order AirBorn p/n CDG25105.
 #0-80 Jackscrew Tool - order AirBorn p/n CDG25196.
 #2-56 Jackscrew Tool - order AirBorn p/n CDG25197.



JACKSCREW WRENCH



#0-80 JACKSCREW TOOL



#2-56 JACKSCREW TOOL

= Option not RoHS compliant



Military Cross Reference Chart

M32139/01

1 ROW PLUG, JACKSCREW CAPTIVATED HARDWARE							
CADMIUM FINISH		NICKEL FINISH		STAINLESS STEEL		TITANIUM	
M32139/01- <u>6" NEMA HP3</u> WHITE		M32139/01- <u>6" NEMA HP3</u> WHITE		M32139/01- <u>6" NEMA HP3</u> WHITE		M32139/01- <u>6" NEMA HP3</u> WHITE	
A01SC	NM-113-009-161-JCAE	A01SN	NM-112-009-161-JCAE	A01SS	NM-114-009-161-JCAE	A01ST	NM-115-009-161-JCAE
B01SC	NM-113-015-161-JCAE	B01SN	NM-112-015-161-JCAE	B01SS	NM-114-015-161-JCAE	B01ST	NM-115-015-161-JCAE
C01SC	NM-113-021-161-JCAE	C01SN	NM-112-021-161-JCAE	C01SS	NM-114-021-161-JCAE	C01ST	NM-115-021-161-JCAE
D01SC	NM-113-025-161-JCAE	D01SN	NM-112-025-161-JCAE	D01SS	NM-114-025-161-JCAE	D01ST	NM-115-025-161-JCAE
E01SC	NM-113-031-161-JCAE	E01SN	NM-112-031-161-JCAE	E01SS	NM-114-031-161-JCAE	E01ST	NM-115-031-161-JCAE
F01SC	NM-113-037-161-JCAE	F01SN	NM-112-037-161-JCAE	F01SS	NM-114-037-161-JCAE	F01ST	NM-115-037-161-JCAE
G01SC	NM-113-051-161-JCAE	G01SN	NM-112-051-161-JCAE	G01SS	NM-114-051-161-JCAE	G01ST	NM-115-051-161-JCAE
M32139/01- <u>18" NEMA HP3</u> WHITE		M32139/01- <u>18" NEMA HP3</u> WHITE		M32139/01- <u>18" NEMA HP3</u> WHITE		M32139/01- <u>18" NEMA HP3</u> WHITE	
A02SC	NM-113-009-161-JCAG	A02SN	NM-112-009-161-JCAG	A02SS	NM-114-009-161-JCAG	A02ST	NM-115-009-161-JCAG
B02SC	NM-113-015-161-JCAG	B02SN	NM-112-015-161-JCAG	B02SS	NM-114-015-161-JCAG	B02ST	NM-115-015-161-JCAG
C02SC	NM-113-021-161-JCAG	C02SN	NM-112-021-161-JCAG	C02SS	NM-114-021-161-JCAG	C02ST	NM-115-021-161-JCAG
D02SC	NM-113-025-161-JCAG	D02SN	NM-112-025-161-JCAG	D02SS	NM-114-025-161-JCAG	D02ST	NM-115-025-161-JCAG
E02SC	NM-113-031-161-JCAG	E02SN	NM-112-031-161-JCAG	E02SS	NM-114-031-161-JCAG	E02ST	NM-115-031-161-JCAG
F02SC	NM-113-037-161-JCAG	F02SN	NM-112-037-161-JCAG	F02SS	NM-114-037-161-JCAG	F02ST	NM-115-037-161-JCAG
G02SC	NM-113-051-161-JCAG	G02SN	NM-112-051-161-JCAG	G02SS	NM-114-051-161-JCAG	G02ST	NM-115-051-161-JCAG
M32139/01- <u>36" NEMA HP3</u> WHITE		M32139/01- <u>36" NEMA HP3</u> WHITE		M32139/01- <u>36" NEMA HP3</u> WHITE		M32139/01- <u>36" NEMA HP3</u> WHITE	
A03SC	NM-113-009-161-JCAH	A03SN	NM-112-009-161-JCAH	A03SS	NM-114-009-161-JCAH	A03ST	NM-115-009-161-JCAH
B03SC	NM-113-015-161-JCAH	B03SN	NM-112-015-161-JCAH	B03SS	NM-114-015-161-JCAH	B03ST	NM-115-015-161-JCAH
C03SC	NM-113-021-161-JCAH	C03SN	NM-112-021-161-JCAH	C03SS	NM-114-021-161-JCAH	C03ST	NM-115-021-161-JCAH
D03SC	NM-113-025-161-JCAH	D03SN	NM-112-025-161-JCAH	D03SS	NM-114-025-161-JCAH	D03ST	NM-115-025-161-JCAH
E03SC	NM-113-031-161-JCAH	E03SN	NM-112-031-161-JCAH	E03SS	NM-114-031-161-JCAH	E03ST	NM-115-031-161-JCAH
F03SC	NM-113-037-161-JCAH	F03SN	NM-112-037-161-JCAH	F03SS	NM-114-037-161-JCAH	F03ST	NM-115-037-161-JCAH
G03SC	NM-113-051-161-JCAH	G03SN	NM-112-051-161-JCAH	G03SS	NM-114-051-161-JCAH	G03ST	NM-115-051-161-JCAH
M32139/01- <u>6" NEMA HP3</u> COLOR CODED		M32139/01- <u>6" NEMA HP3</u> COLOR CODED		M32139/01- <u>6" NEMA HP3</u> COLOR CODED		M32139/01- <u>6" NEMA HP3</u> COLOR CODED	
A04SC	NM-113-009-161-JCAA	A04SN	NM-112-009-161-JCAA	A04SS	NM-114-009-161-JCAA	A04ST	NM-115-009-161-JCAA
B04SC	NM-113-015-161-JCAA	B04SN	NM-112-015-161-JCAA	B04SS	NM-114-015-161-JCAA	B04ST	NM-115-015-161-JCAA
C04SC	NM-113-021-161-JCAA	C04SN	NM-112-021-161-JCAA	C04SS	NM-114-021-161-JCAA	C04ST	NM-115-021-161-JCAA
D04SC	NM-113-025-161-JCAA	D04SN	NM-112-025-161-JCAA	D04SS	NM-114-025-161-JCAA	D04ST	NM-115-025-161-JCAA
E04SC	NM-113-031-161-JCAA	E04SN	NM-112-031-161-JCAA	E04SS	NM-114-031-161-JCAA	E04ST	NM-115-031-161-JCAA
F04SC	NM-113-037-161-JCAA	F04SN	NM-112-037-161-JCAA	F04SS	NM-114-037-161-JCAA	F04ST	NM-115-037-161-JCAA
G04SC	NM-113-051-161-JCAA	G04SN	NM-112-051-161-JCAA	G04SS	NM-114-051-161-JCAA	G04ST	NM-115-051-161-JCAA
M32139/01- <u>18" NEMA HP3</u> COLOR CODED		M32139/01- <u>18" NEMA HP3</u> COLOR CODED		M32139/01- <u>18" NEMA HP3</u> COLOR CODED		M32139/01- <u>18" NEMA HP3</u> COLOR CODED	
A05SC	NM-113-009-161-JCAC	A05SN	NM-112-009-161-JCAC	A05SS	NM-114-009-161-JCAC	A05ST	NM-115-009-161-JCAC
B05SC	NM-113-015-161-JCAC	B05SN	NM-112-015-161-JCAC	B05SS	NM-114-015-161-JCAC	B05ST	NM-115-015-161-JCAC
C05SC	NM-113-021-161-JCAC	C05SN	NM-112-021-161-JCAC	C05SS	NM-114-021-161-JCAC	C05ST	NM-115-021-161-JCAC
D05SC	NM-113-025-161-JCAC	D05SN	NM-112-025-161-JCAC	D05SS	NM-114-025-161-JCAC	D05ST	NM-115-025-161-JCAC
E05SC	NM-113-031-161-JCAC	E05SN	NM-112-031-161-JCAC	E05SS	NM-114-031-161-JCAC	E05ST	NM-115-031-161-JCAC
F05SC	NM-113-037-161-JCAC	F05SN	NM-112-037-161-JCAC	F05SS	NM-114-037-161-JCAC	F05ST	NM-115-037-161-JCAC
G05SC	NM-113-051-161-JCAC	G05SN	NM-112-051-161-JCAC	G05SS	NM-114-051-161-JCAC	G05ST	NM-115-051-161-JCAC

-- Continued on next page

SPACE CLASS DESIGNATOR - (S)

Cadmium Plated Aluminum shells are not available with the Space Class Designator; Space Class is optional on Nickel Plated Aluminum, Stainless Steel and Titanium Shells with SAE-AS22759/33 wire. AirBorn part numbers remain the same with or without the Designator.



Military Cross Reference Chart

M32139/01

-- Continued from previous page

1 ROW PLUG, JACKSCREW CAPTIVATED HARDWARE							
CADMIUM FINISH		NICKEL FINISH		STAINLESS STEEL		TITANIUM	
M32139/01-	<u>36" NEMA HP3</u> COLOR CODED	M32139/01-	<u>36" NEMA HP3</u> COLOR CODED	M32139/01-	<u>36" NEMA HP3</u> COLOR CODED	M32139/01-	<u>36" NEMA HP3</u> COLOR CODED
A06SC	NM-113-009-161-JCAD	A06SN	NM-112-009-161-JCAD	A06SS	NM-114-009-161-JCAD	A06ST	NM-115-009-161-JCAD
B06SC	NM-113-015-161-JCAD	B06SN	NM-112-015-161-JCAD	B06SS	NM-114-015-161-JCAD	B06ST	NM-115-015-161-JCAD
C06SC	NM-113-021-161-JCAD	C06SN	NM-112-021-161-JCAD	C06SS	NM-114-021-161-JCAD	C06ST	NM-115-021-161-JCAD
D06SC	NM-113-025-161-JCAD	D06SN	NM-112-025-161-JCAD	D06SS	NM-114-025-161-JCAD	D06ST	NM-115-025-161-JCAD
E06SC	NM-113-031-161-JCAD	E06SN	NM-112-031-161-JCAD	E06SS	NM-114-031-161-JCAD	E06ST	NM-115-031-161-JCAD
F06SC	NM-113-037-161-JCAD	F06SN	NM-112-037-161-JCAD	F06SS	NM-114-037-161-JCAD	F06ST	NM-115-037-161-JCAD
G06SC	NM-113-051-161-JCAD	G06SN	NM-112-051-161-JCAD	G06SS	NM-114-051-161-JCAD	G06ST	NM-115-051-161-JCAD
M32139/01-	<u>6" M22759/33</u> WHITE	M32139/01-	<u>6" M22759/33</u> WHITE	M32139/01-	<u>6" M22759/33</u> WHITE	M32139/01-	<u>6" M22759/33</u> WHITE
A07SC	NM-113-009-161-JCBE	A07SN(S)	NM-112-009-161-JCBE	A07SS(S)	NM-114-009-161-JCBE	A07ST(S)	NM-115-009-161-JCBE
B07SC	NM-113-015-161-JCBE	B07SN(S)	NM-112-015-161-JCBE	B07SS(S)	NM-114-015-161-JCBE	B07ST(S)	NM-115-015-161-JCBE
C07SC	NM-113-021-161-JCBE	C07SN(S)	NM-112-021-161-JCBE	C07SS(S)	NM-114-021-161-JCBE	C07ST(S)	NM-115-021-161-JCBE
D07SC	NM-113-025-161-JCBE	D07SN(S)	NM-112-025-161-JCBE	D07SS(S)	NM-114-025-161-JCBE	D07ST(S)	NM-115-025-161-JCBE
E07SC	NM-113-031-161-JCBE	E07SN(S)	NM-112-031-161-JCBE	E07SS(S)	NM-114-031-161-JCBE	E07ST(S)	NM-115-031-161-JCBE
F07SC	NM-113-037-161-JCBE	F07SN(S)	NM-112-037-161-JCBE	F07SS(S)	NM-114-037-161-JCBE	F07ST(S)	NM-115-037-161-JCBE
G07SC	NM-113-051-161-JCBE	G07SN(S)	NM-112-051-161-JCBE	G07SS(S)	NM-114-051-161-JCBE	G07ST(S)	NM-115-051-161-JCBE
M32139/01-	<u>18" M22759/33</u> WHITE	M32139/01-	<u>18" M22759/33</u> WHITE	M32139/01-	<u>18" M22759/33</u> WHITE	M32139/01-	<u>18" M22759/33</u> WHITE
A08SC	NM-113-009-161-JCBG	A08SN(S)	NM-112-009-161-JCBG	A08SS(S)	NM-114-009-161-JCBG	A08ST(S)	NM-115-009-161-JCBG
B08SC	NM-113-015-161-JCBG	B08SN(S)	NM-112-015-161-JCBG	B08SS(S)	NM-114-015-161-JCBG	B08ST(S)	NM-115-015-161-JCBG
C08SC	NM-113-021-161-JCBG	C08SN(S)	NM-112-021-161-JCBG	C08SS(S)	NM-114-021-161-JCBG	C08ST(S)	NM-115-021-161-JCBG
D08SC	NM-113-025-161-JCBG	D08SN(S)	NM-112-025-161-JCBG	D08SS(S)	NM-114-025-161-JCBG	D08ST(S)	NM-115-025-161-JCBG
E08SC	NM-113-031-161-JCBG	E08SN(S)	NM-112-031-161-JCBG	E08SS(S)	NM-114-031-161-JCBG	E08ST(S)	NM-115-031-161-JCBG
F08SC	NM-113-037-161-JCBG	F08SN(S)	NM-112-037-161-JCBG	F08SS(S)	NM-114-037-161-JCBG	F08ST(S)	NM-115-037-161-JCBG
G08SC	NM-113-051-161-JCBG	G08SN(S)	NM-112-051-161-JCBG	G08SS(S)	NM-114-051-161-JCBG	G08ST(S)	NM-115-051-161-JCBG
M32139/01-	<u>36" M22759/33</u> WHITE	M32139/01-	<u>36" M22759/33</u> WHITE	M32139/01-	<u>36" M22759/33</u> WHITE	M32139/01-	<u>36" M22759/33</u> WHITE
A09SC	NM-113-009-161-JCBH	A09SN(S)	NM-112-009-161-JCBH	A09SS(S)	NM-114-009-161-JCBH	A09ST(S)	NM-115-009-161-JCBH
B09SC	NM-113-015-161-JCBH	B09SN(S)	NM-112-015-161-JCBH	B09SS(S)	NM-114-015-161-JCBH	B09ST(S)	NM-115-015-161-JCBH
C09SC	NM-113-021-161-JCBH	C09SN(S)	NM-112-021-161-JCBH	C09SS(S)	NM-114-021-161-JCBH	C09ST(S)	NM-115-021-161-JCBH
D09SC	NM-113-025-161-JCBH	D09SN(S)	NM-112-025-161-JCBH	D09SS(S)	NM-114-025-161-JCBH	D09ST(S)	NM-115-025-161-JCBH
E09SC	NM-113-031-161-JCBH	E09SN(S)	NM-112-031-161-JCBH	E09SS(S)	NM-114-031-161-JCBH	E09ST(S)	NM-115-031-161-JCBH
F09SC	NM-113-037-161-JCBH	F09SN(S)	NM-112-037-161-JCBH	F09SS(S)	NM-114-037-161-JCBH	F09ST(S)	NM-115-037-161-JCBH
G09SC	NM-113-051-161-JCBH	G09SN(S)	NM-112-051-161-JCBH	G09SS(S)	NM-114-051-161-JCBH	G09ST(S)	NM-115-051-161-JCBH
M32139/01-	<u>6" M22759/33</u> COLOR CODED	M32139/01-	<u>6" M22759/33</u> COLOR CODED	M32139/01-	<u>6" M22759/33</u> COLOR CODED	M32139/01-	<u>6" M22759/33</u> COLOR CODED
A10SC	NM-113-009-161-JCBA	A10SN(S)	NM-112-009-161-JCBA	A10SS(S)	NM-114-009-161-JCBA	A10ST(S)	NM-115-009-161-JCBA
B10SC	NM-113-015-161-JCBA	B10SN(S)	NM-112-015-161-JCBA	B10SS(S)	NM-114-015-161-JCBA	B10ST(S)	NM-115-015-161-JCBA
C10SC	NM-113-021-161-JCBA	C10SN(S)	NM-112-021-161-JCBA	C10SS(S)	NM-114-021-161-JCBA	C10ST(S)	NM-115-021-161-JCBA
D10SC	NM-113-025-161-JCBA	D10SN(S)	NM-112-025-161-JCBA	D10SS(S)	NM-114-025-161-JCBA	D10ST(S)	NM-115-025-161-JCBA
E10SC	NM-113-031-161-JCBA	E10SN(S)	NM-112-031-161-JCBA	E10SS(S)	NM-114-031-161-JCBA	E10ST(S)	NM-115-031-161-JCBA
F10SC	NM-113-037-161-JCBA	F10SN(S)	NM-112-037-161-JCBA	F10SS(S)	NM-114-037-161-JCBA	F10ST(S)	NM-115-037-161-JCBA
G10SC	NM-113-051-161-JCBA	G10SN(S)	NM-112-051-161-JCBA	G10SS(S)	NM-114-051-161-JCBA	G10ST(S)	NM-115-051-161-JCBA

-- Continued on next page

SPACE CLASS DESIGNATOR - (S)

Cadmium Plated Aluminum shells are not available with the Space Class Designator; Space Class is optional on Nickel Plated Aluminum, Stainless Steel and Titanium Shells with SAE-AS22759/33 wire. AirBorn part numbers remain the same with or without the Designator.



Military Cross Reference Chart

M32139/01

-- Continued from previous page

1 ROW PLUG, JACKSCREW CAPTIVATED HARDWARE							
CADMIUM FINISH		NICKEL FINISH		STAINLESS STEEL		TITANIUM	
M32139/01- 18" M22759/33 COLOR CODED		M32139/01- 18" M22759/33 COLOR CODED		M32139/01- 18" M22759/33 COLOR CODED		M32139/01- 18" M22759/33 COLOR CODED	
A11SC	NM-113-009-161-JCBC	A11SN(S)	NM-112-009-161-JCBC	A11SS(S)	NM-114-009-161-JCBC	A11ST(S)	NM-115-009-161-JCBC
B11SC	NM-113-015-161-JCBC	B11SN(S)	NM-112-015-161-JCBC	B11SS(S)	NM-114-015-161-JCBC	B11ST(S)	NM-115-015-161-JCBC
C11SC	NM-113-021-161-JCBC	C11SN(S)	NM-112-021-161-JCBC	C11SS(S)	NM-114-021-161-JCBC	C11ST(S)	NM-115-021-161-JCBC
D11SC	NM-113-025-161-JCBC	D11SN(S)	NM-112-025-161-JCBC	D11SS(S)	NM-114-025-161-JCBC	D11ST(S)	NM-115-025-161-JCBC
E11SC	NM-113-031-161-JCBC	E11SN(S)	NM-112-031-161-JCBC	E11SS(S)	NM-114-031-161-JCBC	E11ST(S)	NM-115-031-161-JCBC
F11SC	NM-113-037-161-JCBC	F11SN(S)	NM-112-037-161-JCBC	F11SS(S)	NM-114-037-161-JCBC	F11ST(S)	NM-115-037-161-JCBC
G11SC	NM-113-051-161-JCBC	G11SN(S)	NM-112-051-161-JCBC	G11SS(S)	NM-114-051-161-JCBC	G11ST(S)	NM-115-051-161-JCBC
M32139/01- 36" M22759/33 COLOR CODED		M32139/01- 36" M22759/33 COLOR CODED		M32139/01- 36" M22759/33 COLOR CODED		M32139/01- 36" M22759/33 COLOR CODED	
A12SC	NM-113-009-161-JCBD	A12SN(S)	NM-112-009-161-JCBD	A12SS(S)	NM-114-009-161-JCBD	A12ST(S)	NM-115-009-161-JCBD
B12SC	NM-113-015-161-JCBD	B12SN(S)	NM-112-015-161-JCBD	B12SS(S)	NM-114-015-161-JCBD	B12ST(S)	NM-115-015-161-JCBD
C12SC	NM-113-021-161-JCBD	C12SN(S)	NM-112-021-161-JCBD	C12SS(S)	NM-114-021-161-JCBD	C12ST(S)	NM-115-021-161-JCBD
D12SC	NM-113-025-161-JCBD	D12SN(S)	NM-112-025-161-JCBD	D12SS(S)	NM-114-025-161-JCBD	D12ST(S)	NM-115-025-161-JCBD
E12SC	NM-113-031-161-JCBD	E12SN(S)	NM-112-031-161-JCBD	E12SS(S)	NM-114-031-161-JCBD	E12ST(S)	NM-115-031-161-JCBD
F12SC	NM-113-037-161-JCBD	F12SN(S)	NM-112-037-161-JCBD	F12SS(S)	NM-114-037-161-JCBD	F12ST(S)	NM-115-037-161-JCBD
G12SC	NM-113-051-161-JCBD	G12SN(S)	NM-112-051-161-JCBD	G12SS(S)	NM-114-051-161-JCBD	G12ST(S)	NM-115-051-161-JCBD
M32139/01- 6" 04047-30A WHITE		M32139/01- 6" 04047-30A WHITE		M32139/01- 6" 04047-30A WHITE		M32139/01- 6" 04047-30A WHITE	
A13SC	NM-113-009-161-JCCE	A13SN	NM-112-009-161-JCCE	A13SS	NM-114-009-161-JCCE	A13ST	NM-115-009-161-JCCE
B13SC	NM-113-015-161-JCCE	B13SN	NM-112-015-161-JCCE	B13SS	NM-114-015-161-JCCE	B13ST	NM-115-015-161-JCCE
C13SC	NM-113-021-161-JCCE	C13SN	NM-112-021-161-JCCE	C13SS	NM-114-021-161-JCCE	C13ST	NM-115-021-161-JCCE
D13SC	NM-113-025-161-JCCE	D13SN	NM-112-025-161-JCCE	D13SS	NM-114-025-161-JCCE	D13ST	NM-115-025-161-JCCE
E13SC	NM-113-031-161-JCCE	E13SN	NM-112-031-161-JCCE	E13SS	NM-114-031-161-JCCE	E13ST	NM-115-031-161-JCCE
F13SC	NM-113-037-161-JCCE	F13SN	NM-112-037-161-JCCE	F13SS	NM-114-037-161-JCCE	F13ST	NM-115-037-161-JCCE
G13SC	NM-113-051-161-JCCE	G13SN	NM-112-051-161-JCCE	G13SS	NM-114-051-161-JCCE	G13ST	NM-115-051-161-JCCE
M32139/01- 18" 04047-30A WHITE		M32139/01- 18" 04047-30A WHITE		M32139/01- 18" 04047-30A WHITE		M32139/01- 18" 04047-30A WHITE	
A14SC	NM-113-009-161-JCCG	A14SN	NM-112-009-161-JCCG	A14SS	NM-114-009-161-JCCG	A14ST	NM-115-009-161-JCCG
B14SC	NM-113-015-161-JCCG	B14SN	NM-112-015-161-JCCG	B14SS	NM-114-015-161-JCCG	B14ST	NM-115-015-161-JCCG
C14SC	NM-113-021-161-JCCG	C14SN	NM-112-021-161-JCCG	C14SS	NM-114-021-161-JCCG	C14ST	NM-115-021-161-JCCG
D14SC	NM-113-025-161-JCCG	D14SN	NM-112-025-161-JCCG	D14SS	NM-114-025-161-JCCG	D14ST	NM-115-025-161-JCCG
E14SC	NM-113-031-161-JCCG	E14SN	NM-112-031-161-JCCG	E14SS	NM-114-031-161-JCCG	E14ST	NM-115-031-161-JCCG
F14SC	NM-113-037-161-JCCG	F14SN	NM-112-037-161-JCCG	F14SS	NM-114-037-161-JCCG	F14ST	NM-115-037-161-JCCG
G14SC	NM-113-051-161-JCCG	G14SN	NM-112-051-161-JCCG	G14SS	NM-114-051-161-JCCG	G14ST	NM-115-051-161-JCCG
M32139/01- 36" 04047-30A WHITE		M32139/01- 36" 04047-30A WHITE		M32139/01- 36" 04047-30A WHITE		M32139/01- 36" 04047-30A WHITE	
A15SC	NM-113-009-161-JCCH	A15SN	NM-112-009-161-JCCH	A15SS	NM-114-009-161-JCCH	A15ST	NM-115-009-161-JCCH
B15SC	NM-113-015-161-JCCH	B15SN	NM-112-015-161-JCCH	B15SS	NM-114-015-161-JCCH	B15ST	NM-115-015-161-JCCH
C15SC	NM-113-021-161-JCCH	C15SN	NM-112-021-161-JCCH	C15SS	NM-114-021-161-JCCH	C15ST	NM-115-021-161-JCCH
D15SC	NM-113-025-161-JCCH	D15SN	NM-112-025-161-JCCH	D15SS	NM-114-025-161-JCCH	D15ST	NM-115-025-161-JCCH
E15SC	NM-113-031-161-JCCH	E15SN	NM-112-031-161-JCCH	E15SS	NM-114-031-161-JCCH	E15ST	NM-115-031-161-JCCH
F15SC	NM-113-037-161-JCCH	F15SN	NM-112-037-161-JCCH	F15SS	NM-114-037-161-JCCH	F15ST	NM-115-037-161-JCCH
G15SC	NM-113-051-161-JCCH	G15SN	NM-112-051-161-JCCH	G15SS	NM-114-051-161-JCCH	G15ST	NM-115-051-161-JCCH

-- Continued on next page

SPACE CLASS DESIGNATOR - (S)

Cadmium Plated Aluminum shells are not available with the Space Class Designator; Space Class is optional on Nickel Plated Aluminum, Stainless Steel and Titanium Shells with SAE-AS22759/33 wire. AirBorn part numbers remain the same with or without the Designator.



Military Cross Reference Chart

M32139/01

-- Continued from previous page

1 ROW PLUG, JACKSCREW CAPTIVATED HARDWARE							
CADMIUM FINISH		NICKEL FINISH		STAINLESS STEEL		TITANIUM	
M32139/01- <small>6" 04047-30A</small> COLOR CODED		M32139/01- <small>6" 04047-30A</small> COLOR CODED		M32139/01- <small>6" 04047-30A</small> COLOR CODED		M32139/01- <small>6" 04047-30A</small> COLOR CODED	
A16SC	NM-113-009-161-JCCA	A16SN	NM-112-009-161-JCCA	A16SS	NM-114-009-161-JCCA	A16ST	NM-115-009-161-JCCA
B16SC	NM-113-015-161-JCCA	B16SN	NM-112-015-161-JCCA	B16SS	NM-114-015-161-JCCA	B16ST	NM-115-015-161-JCCA
C16SC	NM-113-021-161-JCCA	C16SN	NM-112-021-161-JCCA	C16SS	NM-114-021-161-JCCA	C16ST	NM-115-021-161-JCCA
D16SC	NM-113-025-161-JCCA	D16SN	NM-112-025-161-JCCA	D16SS	NM-114-025-161-JCCA	D16ST	NM-115-025-161-JCCA
E16SC	NM-113-031-161-JCCA	E16SN	NM-112-031-161-JCCA	E16SS	NM-114-031-161-JCCA	E16ST	NM-115-031-161-JCCA
F16SC	NM-113-037-161-JCCA	F16SN	NM-112-037-161-JCCA	F16SS	NM-114-037-161-JCCA	F16ST	NM-115-037-161-JCCA
G16SC	NM-113-051-161-JCCA	G16SN	NM-112-051-161-JCCA	G16SS	NM-114-051-161-JCCA	G16ST	NM-115-051-161-JCCA
M32139/01- <small>18" 04047-30A</small> COLOR CODED		M32139/01- <small>18" 04047-30A</small> COLOR CODED		M32139/01- <small>18" 04047-30A</small> COLOR CODED		M32139/01- <small>18" 04047-30A</small> COLOR CODED	
A17SC	NM-113-009-161-JCCC	A17SN	NM-112-009-161-JCCC	A17SS	NM-114-009-161-JCCC	A17ST	NM-115-009-161-JCCC
B17SC	NM-113-015-161-JCCC	B17SN	NM-112-015-161-JCCC	B17SS	NM-114-015-161-JCCC	B17ST	NM-115-015-161-JCCC
C17SC	NM-113-021-161-JCCC	C17SN	NM-112-021-161-JCCC	C17SS	NM-114-021-161-JCCC	C17ST	NM-115-021-161-JCCC
D17SC	NM-113-025-161-JCCC	D17SN	NM-112-025-161-JCCC	D17SS	NM-114-025-161-JCCC	D17ST	NM-115-025-161-JCCC
E17SC	NM-113-031-161-JCCC	E17SN	NM-112-031-161-JCCC	E17SS	NM-114-031-161-JCCC	E17ST	NM-115-031-161-JCCC
F17SC	NM-113-037-161-JCCC	F17SN	NM-112-037-161-JCCC	F17SS	NM-114-037-161-JCCC	F17ST	NM-115-037-161-JCCC
G17SC	NM-113-051-161-JCCC	G17SN	NM-112-051-161-JCCC	G17SS	NM-114-051-161-JCCC	G17ST	NM-115-051-161-JCCC
M32139/01- <small>36" 04047-30A</small> COLOR CODED		M32139/01- <small>36" 04047-30A</small> COLOR CODED		M32139/01- <small>36" 04047-30A</small> COLOR CODED		M32139/01- <small>36" 04047-30A</small> COLOR CODED	
A18SC	NM-113-009-161-JCCD	A18SN	NM-112-009-161-JCCD	A18SS	NM-114-009-161-JCCD	A18ST	NM-115-009-161-JCCD
B18SC	NM-113-015-161-JCCD	B18SN	NM-112-015-161-JCCD	B18SS	NM-114-015-161-JCCD	B18ST	NM-115-015-161-JCCD
C18SC	NM-113-021-161-JCCD	C18SN	NM-112-021-161-JCCD	C18SS	NM-114-021-161-JCCD	C18ST	NM-115-021-161-JCCD
D18SC	NM-113-025-161-JCCD	D18SN	NM-112-025-161-JCCD	D18SS	NM-114-025-161-JCCD	D18ST	NM-115-025-161-JCCD
E18SC	NM-113-031-161-JCCD	E18SN	NM-112-031-161-JCCD	E18SS	NM-114-031-161-JCCD	E18ST	NM-115-031-161-JCCD
F18SC	NM-113-037-161-JCCD	F18SN	NM-112-037-161-JCCD	F18SS	NM-114-037-161-JCCD	F18ST	NM-115-037-161-JCCD
G18SC	NM-113-051-161-JCCD	G18SN	NM-112-051-161-JCCD	G18SS	NM-114-051-161-JCCD	G18ST	NM-115-051-161-JCCD

-- Continued on next page

SPACE CLASS DESIGNATOR - (S)

Cadmium Plated Aluminum shells are not available with the Space Class Designator; Space Class is optional on Nickel Plated Aluminum, Stainless Steel and Titanium Shells with SAE-AS22759/33 wire. AirBorn part numbers remain the same with or without the Designator.



Military Cross Reference Chart

M32139/02

-- Continued from previous page

1 ROW RECEPTACLE, THREADED HARDWARE							
CADMIUM FINISH		NICKEL FINISH		STAINLESS STEEL		TITANIUM	
M32139/02- 6" NEMA HP3 WHITE		M32139/02- 6" NEMA HP3 WHITE		M32139/02- 6" NEMA HP3 WHITE		M32139/02- 6" NEMA HP3 WHITE	
A01TC	NM-123-009-261-THAE	A01TN	NM-122-009-261-THAE	A01TS	NM-124-009-261-THAE	A01TT	NM-125-009-261-THAE
B01TC	NM-123-015-261-THAE	B01TN	NM-122-015-261-THAE	B01TS	NM-124-015-261-THAE	B01TT	NM-125-015-261-THAE
C01TC	NM-123-021-261-THAE	C01TN	NM-122-021-261-THAE	C01TS	NM-124-021-261-THAE	C01TT	NM-125-021-261-THAE
D01TC	NM-123-025-261-THAE	D01TN	NM-122-025-261-THAE	D01TS	NM-124-025-261-THAE	D01TT	NM-125-025-261-THAE
E01TC	NM-123-031-261-THAE	E01TN	NM-122-031-261-THAE	E01TS	NM-124-031-261-THAE	E01TT	NM-125-031-261-THAE
F01TC	NM-123-037-261-THAE	F01TN	NM-122-037-261-THAE	F01TS	NM-124-037-261-THAE	F01TT	NM-125-037-261-THAE
G01TC	NM-123-051-261-THAE	G01TN	NM-122-051-261-THAE	G01TS	NM-124-051-261-THAE	G01TT	NM-125-051-261-THAE
M32139/02- 18" NEMA HP3 WHITE		M32139/02- 18" NEMA HP3 WHITE		M32139/02- 18" NEMA HP3 WHITE		M32139/02- 18" NEMA HP3 WHITE	
A02TC	NM-123-009-261-THAG	A02TN	NM-122-009-261-THAG	A02TS	NM-124-009-261-THAG	A02TT	NM-125-009-261-THAG
B02TC	NM-123-015-261-THAG	B02TN	NM-122-015-261-THAG	B02TS	NM-124-015-261-THAG	B02TT	NM-125-015-261-THAG
C02TC	NM-123-021-261-THAG	C02TN	NM-122-021-261-THAG	C02TS	NM-124-021-261-THAG	C02TT	NM-125-021-261-THAG
D02TC	NM-123-025-261-THAG	D02TN	NM-122-025-261-THAG	D02TS	NM-124-025-261-THAG	D02TT	NM-125-025-261-THAG
E02TC	NM-123-031-261-THAG	E02TN	NM-122-031-261-THAG	E02TS	NM-124-031-261-THAG	E02TT	NM-125-031-261-THAG
F02TC	NM-123-037-261-THAG	F02TN	NM-122-037-261-THAG	F02TS	NM-124-037-261-THAG	F02TT	NM-125-037-261-THAG
G02TC	NM-123-051-261-THAG	G02TN	NM-122-051-261-THAG	G02TS	NM-124-051-261-THAG	G02TT	NM-125-051-261-THAG
M32139/02- 36" NEMA HP3 WHITE		M32139/02- 36" NEMA HP3 WHITE		M32139/02- 36" NEMA HP3 WHITE		M32139/02- 36" NEMA HP3 WHITE	
A03TC	NM-123-009-261-THAH	A03TN	NM-122-009-261-THAH	A03TS	NM-124-009-261-THAH	A03TT	NM-125-009-261-THAH
B03TC	NM-123-015-261-THAH	B03TN	NM-122-015-261-THAH	B03TS	NM-124-015-261-THAH	B03TT	NM-125-015-261-THAH
C03TC	NM-123-021-261-THAH	C03TN	NM-122-021-261-THAH	C03TS	NM-124-021-261-THAH	C03TT	NM-125-021-261-THAH
D03TC	NM-123-025-261-THAH	D03TN	NM-122-025-261-THAH	D03TS	NM-124-025-261-THAH	D03TT	NM-125-025-261-THAH
E03TC	NM-123-031-261-THAH	E03TN	NM-122-031-261-THAH	E03TS	NM-124-031-261-THAH	E03TT	NM-125-031-261-THAH
F03TC	NM-123-037-261-THAH	F03TN	NM-122-037-261-THAH	F03TS	NM-124-037-261-THAH	F03TT	NM-125-037-261-THAH
G03TC	NM-123-051-261-THAH	G03TN	NM-122-051-261-THAH	G03TS	NM-124-051-261-THAH	G03TT	NM-125-051-261-THAH
M32139/02- 6" NEMA HP3 COLOR CODED		M32139/02- 6" NEMA HP3 COLOR CODED		M32139/02- 6" NEMA HP3 COLOR CODED		M32139/02- 6" NEMA HP3 COLOR CODED	
A04TC	NM-123-009-261-THAA	A04TN	NM-122-009-261-THAA	A04TS	NM-124-009-261-THAA	A04TT	NM-125-009-261-THAA
B04TC	NM-123-015-261-THAA	B04TN	NM-122-015-261-THAA	B04TS	NM-124-015-261-THAA	B04TT	NM-125-015-261-THAA
C04TC	NM-123-021-261-THAA	C04TN	NM-122-021-261-THAA	C04TS	NM-124-021-261-THAA	C04TT	NM-125-021-261-THAA
D04TC	NM-123-025-261-THAA	D04TN	NM-122-025-261-THAA	D04TS	NM-124-025-261-THAA	D04TT	NM-125-025-261-THAA
E04TC	NM-123-031-261-THAA	E04TN	NM-122-031-261-THAA	E04TS	NM-124-031-261-THAA	E04TT	NM-125-031-261-THAA
F04TC	NM-123-037-261-THAA	F04TN	NM-122-037-261-THAA	F04TS	NM-124-037-261-THAA	F04TT	NM-125-037-261-THAA
G04TC	NM-123-051-261-THAA	G04TN	NM-122-051-261-THAA	G04TS	NM-124-051-261-THAA	G04TT	NM-125-051-261-THAA
M32139/02- 18" NEMA HP3 COLOR CODED		M32139/02- 18" NEMA HP3 COLOR CODED		M32139/02- 18" NEMA HP3 COLOR CODED		M32139/02- 18" NEMA HP3 COLOR CODED	
A05TC	NM-123-009-261-THAC	A05TN	NM-122-009-261-THAC	A05TS	NM-124-009-261-THAC	A05TT	NM-125-009-261-THAC
B05TC	NM-123-015-261-THAC	B05TN	NM-122-015-261-THAC	B05TS	NM-124-015-261-THAC	B05TT	NM-125-015-261-THAC
C05TC	NM-123-021-261-THAC	C05TN	NM-122-021-261-THAC	C05TS	NM-124-021-261-THAC	C05TT	NM-125-021-261-THAC
D05TC	NM-123-025-261-THAC	D05TN	NM-122-025-261-THAC	D05TS	NM-124-025-261-THAC	D05TT	NM-125-025-261-THAC
E05TC	NM-123-031-261-THAC	E05TN	NM-122-031-261-THAC	E05TS	NM-124-031-261-THAC	E05TT	NM-125-031-261-THAC
F05TC	NM-123-037-261-THAC	F05TN	NM-122-037-261-THAC	F05TS	NM-124-037-261-THAC	F05TT	NM-125-037-261-THAC
G05TC	NM-123-051-261-THAC	G05TN	NM-122-051-261-THAC	G05TS	NM-124-051-261-THAC	G05TT	NM-125-051-261-THAC

SPACE CLASS DESIGNATOR - (S)

Cadmium Plated Aluminum shells are not available with the Space Class Designator; Space Class is optional on Nickel Plated Aluminum, Stainless Steel and Titanium Shells with SAE-AS22759/33 wire. AirBorn part numbers remain the same with or without the Designator.

-- Continued on next page



Military Cross Reference Chart M32139/02

-- Continued from previous page

1 ROW RECEPTACLE, THREADED HARDWARE							
CADMIUM FINISH		NICKEL FINISH		STAINLESS STEEL		TITANIUM	
36" NEMA HP3 COLOR CODED		36" NEMA HP3 COLOR CODED		36" NEMA HP3 COLOR CODED		36" NEMA HP3 COLOR CODED	
M32139/02-		M32139/02-		M32139/02-		M32139/02-	
A06TC	NM-123-009-261-THAD	A06TN	NM-122-009-261-THAD	A06TS	NM-124-009-261-THAD	A06TT	NM-125-009-261-THAD
B06TC	NM-123-015-261-THAD	B06TN	NM-122-015-261-THAD	B06TS	NM-124-015-261-THAD	B06TT	NM-125-015-261-THAD
C06TC	NM-123-021-261-THAD	C06TN	NM-122-021-261-THAD	C06TS	NM-124-021-261-THAD	C06TT	NM-125-021-261-THAD
D06TC	NM-123-025-261-THAD	D06TN	NM-122-025-261-THAD	D06TS	NM-124-025-261-THAD	D06TT	NM-125-025-261-THAD
E06TC	NM-123-031-261-THAD	E06TN	NM-122-031-261-THAD	E06TS	NM-124-031-261-THAD	E06TT	NM-125-031-261-THAD
F06TC	NM-123-037-261-THAD	F06TN	NM-122-037-261-THAD	F06TS	NM-124-037-261-THAD	F06TT	NM-125-037-261-THAD
G06TC	NM-123-051-261-THAD	G06TN	NM-122-051-261-THAD	G06TS	NM-124-051-261-THAD	G06TT	NM-125-051-261-THAD
6" M22795/33 WHITE		6" M22795/33 WHITE		6" M22795/33 WHITE		6" M22795/33 WHITE	
M32139/02-		M32139/02-		M32139/02-		M32139/02-	
A07TC	NM-123-009-261-THBE	A07TN(S)	NM-122-009-261-THBE	A07TS(S)	NM-124-009-261-THBE	A07TT(S)	NM-125-009-261-THBE
B07TC	NM-123-015-261-THBE	B07TN(S)	NM-122-015-261-THBE	B07TS(S)	NM-124-015-261-THBE	B07TT(S)	NM-125-015-261-THBE
C07TC	NM-123-021-261-THBE	C07TN(S)	NM-122-021-261-THBE	C07TS(S)	NM-124-021-261-THBE	C07TT(S)	NM-125-021-261-THBE
D07TC	NM-123-025-261-THBE	D07TN(S)	NM-122-025-261-THBE	D07TS(S)	NM-124-025-261-THBE	D07TT(S)	NM-125-025-261-THBE
E07TC	NM-123-031-261-THBE	E07TN(S)	NM-122-031-261-THBE	E07TS(S)	NM-124-031-261-THBE	E07TT(S)	NM-125-031-261-THBE
F07TC	NM-123-037-261-THBE	F07TN(S)	NM-122-037-261-THBE	F07TS(S)	NM-124-037-261-THBE	F07TT(S)	NM-125-037-261-THBE
G07TC	NM-123-051-261-THBE	G07TN(S)	NM-122-051-261-THBE	G07TS(S)	NM-124-051-261-THBE	G07TT(S)	NM-125-051-261-THBE
18" M22795/33 WHITE		18" M22795/33 WHITE		18" M22795/33 WHITE		18" M22795/33 WHITE	
M32139/02-		M32139/02-		M32139/02-		M32139/02-	
A08TC	NM-123-009-261-THBG	A08TN(S)	NM-122-009-261-THBG	A08TS(S)	NM-124-009-261-THBG	A08TT(S)	NM-125-009-261-THBG
B08TC	NM-123-015-261-THBG	B08TN(S)	NM-122-015-261-THBG	B08TS(S)	NM-124-015-261-THBG	B08TT(S)	NM-125-015-261-THBG
C08TC	NM-123-021-261-THBG	C08TN(S)	NM-122-021-261-THBG	C08TS(S)	NM-124-021-261-THBG	C08TT(S)	NM-125-021-261-THBG
D08TC	NM-123-025-261-THBG	D08TN(S)	NM-122-025-261-THBG	D08TS(S)	NM-124-025-261-THBG	D08TT(S)	NM-125-025-261-THBG
E08TC	NM-123-031-261-THBG	E08TN(S)	NM-122-031-261-THBG	E08TS(S)	NM-124-031-261-THBG	E08TT(S)	NM-125-031-261-THBG
F08TC	NM-123-037-261-THBG	F08TN(S)	NM-122-037-261-THBG	F08TS(S)	NM-124-037-261-THBG	F08TT(S)	NM-125-037-261-THBG
G08TC	NM-123-051-261-THBG	G08TN(S)	NM-122-051-261-THBG	G08TS(S)	NM-124-051-261-THBG	G08TT(S)	NM-125-051-261-THBG
36" M22795/33 WHITE		36" M22795/33 WHITE		36" M22795/33 WHITE		36" M22795/33 WHITE	
M32139/02-		M32139/02-		M32139/02-		M32139/02-	
A09TC	NM-123-009-261-THBH	A09TN(S)	NM-122-009-261-THBH	A09TS(S)	NM-124-009-261-THBH	A09TT(S)	NM-125-009-261-THBH
B09TC	NM-123-015-261-THBH	B09TN(S)	NM-122-015-261-THBH	B09TS(S)	NM-124-015-261-THBH	B09TT(S)	NM-125-015-261-THBH
C09TC	NM-123-021-261-THBH	C09TN(S)	NM-122-021-261-THBH	C09TS(S)	NM-124-021-261-THBH	C09TT(S)	NM-125-021-261-THBH
D09TC	NM-123-025-261-THBH	D09TN(S)	NM-122-025-261-THBH	D09TS(S)	NM-124-025-261-THBH	D09TT(S)	NM-125-025-261-THBH
E09TC	NM-123-031-261-THBH	E09TN(S)	NM-122-031-261-THBH	E09TS(S)	NM-124-031-261-THBH	E09TT(S)	NM-125-031-261-THBH
F09TC	NM-123-037-261-THBH	F09TN(S)	NM-122-037-261-THBH	F09TS(S)	NM-124-037-261-THBH	F09TT(S)	NM-125-037-261-THBH
G09TC	NM-123-051-261-THBH	G09TN(S)	NM-122-051-261-THBH	G09TS(S)	NM-124-051-261-THBH	G09TT(S)	NM-125-051-261-THBH
6" M22795/33 COLOR CODED		6" M22795/33 COLOR CODED		6" M22795/33 COLOR CODED		6" M22795/33 COLOR CODED	
M32139/02-		M32139/02-		M32139/02-		M32139/02-	
A10TC	NM-123-009-261-THBA	A10TN(S)	NM-122-009-261-THBA	A10TS(S)	NM-124-009-261-THBA	A10TT(S)	NM-125-009-261-THBA
B10TC	NM-123-015-261-THBA	B10TN(S)	NM-122-015-261-THBA	B10TS(S)	NM-124-015-261-THBA	B10TT(S)	NM-125-015-261-THBA
C10TC	NM-123-021-261-THBA	C10TN(S)	NM-122-021-261-THBA	C10TS(S)	NM-124-021-261-THBA	C10TT(S)	NM-125-021-261-THBA
D10TC	NM-123-025-261-THBA	D10TN(S)	NM-122-025-261-THBA	D10TS(S)	NM-124-025-261-THBA	D10TT(S)	NM-125-025-261-THBA
E10TC	NM-123-031-261-THBA	E10TN(S)	NM-122-031-261-THBA	E10TS(S)	NM-124-031-261-THBA	E10TT(S)	NM-125-031-261-THBA
F10TC	NM-123-037-261-THBA	F10TN(S)	NM-122-037-261-THBA	F10TS(S)	NM-124-037-261-THBA	F10TT(S)	NM-125-037-261-THBA
G10TC	NM-123-051-261-THBA	G10TN(S)	NM-122-051-261-THBA	G10TS(S)	NM-124-051-261-THBA	G10TT(S)	NM-125-051-261-THBA

-- Continued on next page

SPACE CLASS DESIGNATOR - (S)
Cadmium Plated Aluminum shells are not available with the Space Class Designator; Space Class is optional on Nickel Plated Aluminum, Stainless Steel and Titanium Shells with SAE-AS22759/33 wire. AirBorn part numbers remain the same with or without the Designator.



Military Cross Reference Chart

M32139/02

-- Continued from previous page

1 ROW RECEPTACLE, THREADED HARDWARE			
CADMIUM FINISH	NICKEL FINISH	STAINLESS STEEL	TITANIUM
M32139/02- 18" M22759/33 COLOR CODED	M32139/02- 18" M22759/33 COLOR CODED	M32139/02- 18" M22759/33 COLOR CODED	M32139/02- 18" M22759/33 COLOR CODED
A11TC NM-123-009-261-THBC	A11TN(S) NM-122-009-261-THBC	A11TS(S) NM-124-009-261-THBC	A11TT(S) NM-125-009-261-THBC
B11TC NM-123-015-261-THBC	B11TN(S) NM-122-015-261-THBC	B11TS(S) NM-124-015-261-THBC	B11TT(S) NM-125-015-261-THBC
C11TC NM-123-021-261-THBC	C11TN(S) NM-122-021-261-THBC	C11TS(S) NM-124-021-261-THBC	C11TT(S) NM-125-021-261-THBC
D11TC NM-123-025-261-THBC	D11TN(S) NM-122-025-261-THBC	D11TS(S) NM-124-025-261-THBC	D11TT(S) NM-125-025-261-THBC
E11TC NM-123-031-261-THBC	E11TN(S) NM-122-031-261-THBC	E11TS(S) NM-124-031-261-THBC	E11TT(S) NM-125-031-261-THBC
F11TC NM-123-037-261-THBC	F11TN(S) NM-122-037-261-THBC	F11TS(S) NM-124-037-261-THBC	F11TT(S) NM-125-037-261-THBC
G11TC NM-123-051-261-THBC	G11TN(S) NM-122-051-261-THBC	G11TS(S) NM-124-051-261-THBC	G11TT(S) NM-125-051-261-THBC
M32139/02- 18" M22759/33 COLOR CODED	M32139/02- 18" M22759/33 COLOR CODED	M32139/02- 18" M22759/33 COLOR CODED	M32139/02- 18" M22759/33 COLOR CODED
A12TC NM-123-009-261-THBD	A12TN(S) NM-122-009-261-THBD	A12TS(S) NM-124-009-261-THBD	A12TT(S) NM-125-009-261-THBD
B12TC NM-123-015-261-THBD	B12TN(S) NM-122-015-261-THBD	B12TS(S) NM-124-015-261-THBD	B12TT(S) NM-125-015-261-THBD
C12TC NM-123-021-261-THBD	C12TN(S) NM-122-021-261-THBD	C12TS(S) NM-124-021-261-THBD	C12TT(S) NM-125-021-261-THBD
D12TC NM-123-025-261-THBD	D12TN(S) NM-122-025-261-THBD	D12TS(S) NM-124-025-261-THBD	D12TT(S) NM-125-025-261-THBD
E12TC NM-123-031-261-THBD	E12TN(S) NM-122-031-261-THBD	E12TS(S) NM-124-031-261-THBD	E12TT(S) NM-125-031-261-THBD
F12TC NM-123-037-261-THBD	F12TN(S) NM-122-037-261-THBD	F12TS(S) NM-124-037-261-THBD	F12TT(S) NM-125-037-261-THBD
G12TC NM-123-051-261-THBD	G12TN(S) NM-122-051-261-THBD	G12TS(S) NM-124-051-261-THBD	G12TT(S) NM-125-051-261-THBD
M32139/02- 6" 04047-30A WHITE	M32139/02- 6" 04047-30A WHITE	M32139/02- 6" 04047-30A WHITE	M32139/02- 6" 04047-30A WHITE
A13TC NM-123-009-261-THCE	A13TN NM-122-009-261-THCE	A13TS NM-124-009-261-THCE	A13TT NM-125-009-261-THCE
B13TC NM-123-015-261-THCE	B13TN NM-122-015-261-THCE	B13TS NM-124-015-261-THCE	B13TT NM-125-015-261-THCE
C13TC NM-123-021-261-THCE	C13TN NM-122-021-261-THCE	C13TS NM-124-021-261-THCE	C13TT NM-125-021-261-THCE
D13TC NM-123-025-261-THCE	D13TN NM-122-025-261-THCE	D13TS NM-124-025-261-THCE	D13TT NM-125-025-261-THCE
E13TC NM-123-031-261-THCE	E13TN NM-122-031-261-THCE	E13TS NM-124-031-261-THCE	E13TT NM-125-031-261-THCE
F13TC NM-123-037-261-THCE	F13TN NM-122-037-261-THCE	F13TS NM-124-037-261-THCE	F13TT NM-125-037-261-THCE
G13TC NM-123-051-261-THCE	G13TN NM-122-051-261-THCE	G13TS NM-124-051-261-THCE	G13TT NM-125-051-261-THCE
M32139/02- 18" 04047-30A WHITE	M32139/02- 18" 04047-30A WHITE	M32139/02- 18" 04047-30A WHITE	M32139/02- 18" 04047-30A WHITE
A14TC NM-123-009-261-THCG	A14TN NM-122-009-261-THCG	A14TS NM-124-009-261-THCG	A14TT NM-125-009-261-THCG
B14TC NM-123-015-261-THCG	B14TN NM-122-015-261-THCG	B14TS NM-124-015-261-THCG	B14TT NM-125-015-261-THCG
C14TC NM-123-021-261-THCG	C14TN NM-122-021-261-THCG	C14TS NM-124-021-261-THCG	C14TT NM-125-021-261-THCG
D14TC NM-123-025-261-THCG	D14TN NM-122-025-261-THCG	D14TS NM-124-025-261-THCG	D14TT NM-125-025-261-THCG
E14TC NM-123-031-261-THCG	E14TN NM-122-031-261-THCG	E14TS NM-124-031-261-THCG	E14TT NM-125-031-261-THCG
F14TC NM-123-037-261-THCG	F14TN NM-122-037-261-THCG	F14TS NM-124-037-261-THCG	F14TT NM-125-037-261-THCG
G14TC NM-123-051-261-THCG	G14TN NM-122-051-261-THCG	G14TS NM-124-051-261-THCG	G14TT NM-125-051-261-THCG
M32139/02- 36" 04047-30A WHITE	M32139/02- 36" 04047-30A WHITE	M32139/02- 36" 04047-30A WHITE	M32139/02- 36" 04047-30A WHITE
A15TC NM-123-009-261-THCH	A15TN NM-122-009-261-THCH	A15TS NM-124-009-261-THCH	A15TT NM-125-009-261-THCH
B15TC NM-123-015-261-THCH	B15TN NM-122-015-261-THCH	B15TS NM-124-015-261-THCH	B15TT NM-125-015-261-THCH
C15TC NM-123-021-261-THCH	C15TN NM-122-021-261-THCH	C15TS NM-124-021-261-THCH	C15TT NM-125-021-261-THCH
D15TC NM-123-025-261-THCH	D15TN NM-122-025-261-THCH	D15TS NM-124-025-261-THCH	D15TT NM-125-025-261-THCH
E15TC NM-123-031-261-THCH	E15TN NM-122-031-261-THCH	E15TS NM-124-031-261-THCH	E15TT NM-125-031-261-THCH
F15TC NM-123-037-261-THCH	F15TN NM-122-037-261-THCH	F15TS NM-124-037-261-THCH	F15TT NM-125-037-261-THCH
G15TC NM-123-051-261-THCH	G15TN NM-122-051-261-THCH	G15TS NM-124-051-261-THCH	G15TT NM-125-051-261-THCH

-- Continued on next page

SPACE CLASS DESIGNATOR - (S)

Cadmium Plated Aluminum shells are not available with the Space Class Designator; Space Class is optional on Nickel Plated Aluminum, Stainless Steel and Titanium Shells with SAE-AS22759/33 wire. AirBorn part numbers remain the same with or without the Designator.



Military Cross Reference Chart

M32139/02

-- Continued from previous page

1 ROW RECEPTACLE, THREADED HARDWARE							
CADMIUM FINISH		NICKEL FINISH		STAINLESS STEEL		TITANIUM	
M32139/02-	<small>6" 04047-30A COLOR CODED</small>	M32139/02-	<small>6" 04047-30A COLOR CODED</small>	M32139/02-	<small>6" 04047-30A COLOR CODED</small>	M32139/02-	<small>6" 04047-30A COLOR CODED</small>
A16TC	NM-123-009-261-THCA	A16TN	NM-122-009-261-THCA	A16TS	NM-124-009-261-THCA	A16TT	NM-125-009-261-THCA
B16TC	NM-123-015-261-THCA	B16TN	NM-122-015-261-THCA	B16TS	NM-124-015-261-THCA	B16TT	NM-125-015-261-THCA
C16TC	NM-123-021-261-THCA	C16TN	NM-122-021-261-THCA	C16TS	NM-124-021-261-THCA	C16TT	NM-125-021-261-THCA
D16TC	NM-123-025-261-THCA	D16TN	NM-122-025-261-THCA	D16TS	NM-124-025-261-THCA	D16TT	NM-125-025-261-THCA
E16TC	NM-123-031-261-THCA	E16TN	NM-122-031-261-THCA	E16TS	NM-124-031-261-THCA	E16TT	NM-125-031-261-THCA
F16TC	NM-123-037-261-THCA	F16TN	NM-122-037-261-THCA	F16TS	NM-124-037-261-THCA	F16TT	NM-125-037-261-THCA
G16TC	NM-123-051-261-THCA	G16TN	NM-122-051-261-THCA	G16TS	NM-124-051-261-THCA	G16TT	NM-125-051-261-THCA
M32139/02-	<small>18" 04047-30A COLOR CODED</small>	M32139/02-	<small>18" 04047-30A COLOR CODED</small>	M32139/02-	<small>18" 04047-30A COLOR CODED</small>	M32139/02-	<small>18" 04047-30A COLOR CODED</small>
A17TC	NM-123-009-261-THCC	A17TN	NM-122-009-261-THCC	A17TS	NM-124-009-261-THCC	A17TT	NM-125-009-261-THCC
B17TC	NM-123-015-261-THCC	B17TN	NM-122-015-261-THCC	B17TS	NM-124-015-261-THCC	B17TT	NM-125-015-261-THCC
C17TC	NM-123-021-261-THCC	C17TN	NM-122-021-261-THCC	C17TS	NM-124-021-261-THCC	C17TT	NM-125-021-261-THCC
D17TC	NM-123-025-261-THCC	D17TN	NM-122-025-261-THCC	D17TS	NM-124-025-261-THCC	D17TT	NM-125-025-261-THCC
E17TC	NM-123-031-261-THCC	E17TN	NM-122-031-261-THCC	E17TS	NM-124-031-261-THCC	E17TT	NM-125-031-261-THCC
F17TC	NM-123-037-261-THCC	F17TN	NM-122-037-261-THCC	F17TS	NM-124-037-261-THCC	F17TT	NM-125-037-261-THCC
G17TC	NM-123-051-261-THCC	G17TN	NM-122-051-261-THCC	G17TS	NM-124-051-261-THCC	G17TT	NM-125-051-261-THCC
M32139/02-	<small>36" 04047-30A COLOR CODED</small>	M32139/02-	<small>36" 04047-30A COLOR CODED</small>	M32139/02-	<small>36" 04047-30A COLOR CODED</small>	M32139/02-	<small>36" 04047-30A COLOR CODED</small>
A18TC	NM-123-009-261-THCD	A18TN	NM-122-009-261-THCD	A18TS	NM-124-009-261-THCD	A18TT	NM-125-009-261-THCD
B18TC	NM-123-015-261-THCD	B18TN	NM-122-015-261-THCD	B18TS	NM-124-015-261-THCD	B18TT	NM-125-015-261-THCD
C18TC	NM-123-021-261-THCD	C18TN	NM-122-021-261-THCD	C18TS	NM-124-021-261-THCD	C18TT	NM-125-021-261-THCD
D18TC	NM-123-025-261-THCD	D18TN	NM-122-025-261-THCD	D18TS	NM-124-025-261-THCD	D18TT	NM-125-025-261-THCD
E18TC	NM-123-031-261-THCD	E18TN	NM-122-031-261-THCD	E18TS	NM-124-031-261-THCD	E18TT	NM-125-031-261-THCD
F18TC	NM-123-037-261-THCD	F18TN	NM-122-037-261-THCD	F18TS	NM-124-037-261-THCD	F18TT	NM-125-037-261-THCD
G18TC	NM-123-051-261-THCD	G18TN	NM-122-051-261-THCD	G18TS	NM-124-051-261-THCD	G18TT	NM-125-051-261-THCD

SPACE CLASS DESIGNATOR - (S)

-- Continued on next page

Cadmium Plated Aluminum shells are not available with the Space Class Designator; Space Class is optional on Nickel Plated Aluminum, Stainless Steel and Titanium Shells with SAE-AS22759/33 wire. AirBorn part numbers remain the same with or without the Designator.



Military Cross Reference Chart

M32139/03

-- Continued from previous page

2 ROW PLUG, JACKSCREW CAPTIVATED HARDWARE							
CADMIUM FINISH		NICKEL FINISH		STAINLESS STEEL		TITANIUM	
M32139/03- 6" NEMA HP3 WHITE		M32139/03- 6" NEMA HP3 WHITE		M32139/03- 6" NEMA HP3 WHITE		M32139/03- 6" NEMA HP3 WHITE	
A01SC	NM-213-009-161-JCAE	A01SN	NM-212-009-161-JCAE	A01SS	NM-214-009-161-JCAE	A01ST	NM-215-009-161-JCAE
B01SC	NM-213-015-161-JCAE	B01SN	NM-212-015-161-JCAE	B01SS	NM-214-015-161-JCAE	B01ST	NM-215-015-161-JCAE
C01SC	NM-213-021-161-JCAE	C01SN	NM-212-021-161-JCAE	C01SS	NM-214-021-161-JCAE	C01ST	NM-215-021-161-JCAE
D01SC	NM-213-025-161-JCAE	D01SN	NM-212-025-161-JCAE	D01SS	NM-214-025-161-JCAE	D01ST	NM-215-025-161-JCAE
E01SC	NM-213-031-161-JCAE	E01SN	NM-212-031-161-JCAE	E01SS	NM-214-031-161-JCAE	E01ST	NM-215-031-161-JCAE
F01SC	NM-213-037-161-JCAE	F01SN	NM-212-037-161-JCAE	F01SS	NM-214-037-161-JCAE	F01ST	NM-215-037-161-JCAE
G01SC	NM-213-051-161-JCAE	G01SN	NM-212-051-161-JCAE	G01SS	NM-214-051-161-JCAE	G01ST	NM-215-051-161-JCAE
H01SC	NM-213-065-161-JCAE	H01SN	NM-212-065-161-JCAE	H01SS	NM-214-065-161-JCAE	H01ST	NM-215-065-161-JCAE
J01SC	NM-213-069-161-JCAE	J01SN	NM-212-069-161-JCAE	J01SS	NM-214-069-161-JCAE	J01ST	NM-215-069-161-JCAE
K01SC	NM-213-085-161-JCAE	K01SN	NM-212-085-161-JCAE	K01SS	NM-214-085-161-JCAE	K01ST	NM-215-085-161-JCAE
M32139/03- 18" NEMA HP3 WHITE		M32139/03- 18" NEMA HP3 WHITE		M32139/03- 18" NEMA HP3 WHITE		M32139/03- 18" NEMA HP3 WHITE	
A02SC	NM-213-009-161-JCAG	A02SN	NM-212-009-161-JCAG	A02SS	NM-214-009-161-JCAG	A02ST	NM-215-009-161-JCAG
B02SC	NM-213-015-161-JCAG	B02SN	NM-212-015-161-JCAG	B02SS	NM-214-015-161-JCAG	B02ST	NM-215-015-161-JCAG
C02SC	NM-213-021-161-JCAG	C02SN	NM-212-021-161-JCAG	C02SS	NM-214-021-161-JCAG	C02ST	NM-215-021-161-JCAG
D02SC	NM-213-025-161-JCAG	D02SN	NM-212-025-161-JCAG	D02SS	NM-214-025-161-JCAG	D02ST	NM-215-025-161-JCAG
E02SC	NM-213-031-161-JCAG	E02SN	NM-212-031-161-JCAG	E02SS	NM-214-031-161-JCAG	E02ST	NM-215-031-161-JCAG
F02SC	NM-213-037-161-JCAG	F02SN	NM-212-037-161-JCAG	F02SS	NM-214-037-161-JCAG	F02ST	NM-215-037-161-JCAG
G02SC	NM-213-051-161-JCAG	G02SN	NM-212-051-161-JCAG	G02SS	NM-214-051-161-JCAG	G02ST	NM-215-051-161-JCAG
H02SC	NM-213-065-161-JCAG	H02SN	NM-212-065-161-JCAG	H02SS	NM-214-065-161-JCAG	H02ST	NM-215-065-161-JCAG
J02SC	NM-213-069-161-JCAG	J02SN	NM-212-069-161-JCAG	J02SS	NM-214-069-161-JCAG	J02ST	NM-215-069-161-JCAG
K02SC	NM-213-085-161-JCAG	K02SN	NM-212-085-161-JCAG	K02SS	NM-214-085-161-JCAG	K02ST	NM-215-085-161-JCAG
M32139/03- 36" NEMA HP3 WHITE		M32139/03- 36" NEMA HP3 WHITE		M32139/03- 36" NEMA HP3 WHITE		M32139/03- 36" NEMA HP3 WHITE	
A03SC	NM-213-009-161-JCAH	A03SN	NM-212-009-161-JCAH	A03SS	NM-214-009-161-JCAH	A03ST	NM-215-009-161-JCAH
B03SC	NM-213-015-161-JCAH	B03SN	NM-212-015-161-JCAH	B03SS	NM-214-015-161-JCAH	B03ST	NM-215-015-161-JCAH
C03SC	NM-213-021-161-JCAH	C03SN	NM-212-021-161-JCAH	C03SS	NM-214-021-161-JCAH	C03ST	NM-215-021-161-JCAH
D03SC	NM-213-025-161-JCAH	D03SN	NM-212-025-161-JCAH	D03SS	NM-214-025-161-JCAH	D03ST	NM-215-025-161-JCAH
E03SC	NM-213-031-161-JCAH	E03SN	NM-212-031-161-JCAH	E03SS	NM-214-031-161-JCAH	E03ST	NM-215-031-161-JCAH
F03SC	NM-213-037-161-JCAH	F03SN	NM-212-037-161-JCAH	F03SS	NM-214-037-161-JCAH	F03ST	NM-215-037-161-JCAH
G03SC	NM-213-051-161-JCAH	G03SN	NM-212-051-161-JCAH	G03SS	NM-214-051-161-JCAH	G03ST	NM-215-051-161-JCAH
H03SC	NM-213-065-161-JCAH	H03SN	NM-212-065-161-JCAH	H03SS	NM-214-065-161-JCAH	H03ST	NM-215-065-161-JCAH
J03SC	NM-213-069-161-JCAH	J03SN	NM-212-069-161-JCAH	J03SS	NM-214-069-161-JCAH	J03ST	NM-215-069-161-JCAH
K03SC	NM-213-085-161-JCAH	K03SN	NM-212-085-161-JCAH	K03SS	NM-214-085-161-JCAH	K03ST	NM-215-085-161-JCAH
M32139/03- 6" NEMA HP3 COLOR CODED		M32139/03- 6" NEMA HP3 COLOR CODED		M32139/03- 6" NEMA HP3 COLOR CODED		M32139/03- 6" NEMA HP3 COLOR CODED	
A04SC	NM-213-009-161-JCAA	A04SN	NM-212-009-161-JCAA	A04SS	NM-214-009-161-JCAA	A04ST	NM-215-009-161-JCAA
B04SC	NM-213-015-161-JCAA	B04SN	NM-212-015-161-JCAA	B04SS	NM-214-015-161-JCAA	B04ST	NM-215-015-161-JCAA
C04SC	NM-213-021-161-JCAA	C04SN	NM-212-021-161-JCAA	C04SS	NM-214-021-161-JCAA	C04ST	NM-215-021-161-JCAA
D04SC	NM-213-025-161-JCAA	D04SN	NM-212-025-161-JCAA	D04SS	NM-214-025-161-JCAA	D04ST	NM-215-025-161-JCAA
E04SC	NM-213-031-161-JCAA	E04SN	NM-212-031-161-JCAA	E04SS	NM-214-031-161-JCAA	E04ST	NM-215-031-161-JCAA
F04SC	NM-213-037-161-JCAA	F04SN	NM-212-037-161-JCAA	F04SS	NM-214-037-161-JCAA	F04ST	NM-215-037-161-JCAA
G04SC	NM-213-051-161-JCAA	G04SN	NM-212-051-161-JCAA	G04SS	NM-214-051-161-JCAA	G04ST	NM-215-051-161-JCAA
H04SC	NM-213-065-161-JCAA	H04SN	NM-212-065-161-JCAA	H04SS	NM-214-065-161-JCAA	H04ST	NM-215-065-161-JCAA
J04SC	NM-213-069-161-JCAA	J04SN	NM-212-069-161-JCAA	J04SS	NM-214-069-161-JCAA	J04ST	NM-215-069-161-JCAA
K04SC	NM-213-085-161-JCAA	K04SN	NM-212-085-161-JCAA	K04SS	NM-214-085-161-JCAA	K04ST	NM-215-085-161-JCAA

-- Continued on next page

SPACE CLASS DESIGNATOR - (S)

Cadmium Plated Aluminum shells are not available with the Space Class Designator; Space Class is optional on Nickel Plated Aluminum, Stainless Steel and Titanium Shells with SAE-AS22759/33 wire. AirBorn part numbers remain the same with or without the Designator.



Military Cross Reference Chart

M32139/03

-- Continued from previous page

2 ROW PLUG, JACKSCREW CAPTIVATED HARDWARE							
CADMIUM FINISH		NICKEL FINISH		STAINLESS STEEL		TITANIUM	
M32139/03- 18" NEMA HP3 COLOR CODED		M32139/03- 18" NEMA HP3 COLOR CODED		M32139/03- 18" NEMA HP3 COLOR CODED		M32139/03- 18" NEMA HP3 COLOR CODED	
A05SC	NM-213-009-161-JCAC	A05SN	NM-212-009-161-JCAC	A05SS	NM-214-009-161-JCAC	A05ST	NM-215-009-161-JCAC
B05SC	NM-213-015-161-JCAC	B05SN	NM-212-015-161-JCAC	B05SS	NM-214-015-161-JCAC	B05ST	NM-215-015-161-JCAC
C05SC	NM-213-021-161-JCAC	C05SN	NM-212-021-161-JCAC	C05SS	NM-214-021-161-JCAC	C05ST	NM-215-021-161-JCAC
D05SC	NM-213-025-161-JCAC	D05SN	NM-212-025-161-JCAC	D05SS	NM-214-025-161-JCAC	D05ST	NM-215-025-161-JCAC
E05SC	NM-213-031-161-JCAC	E05SN	NM-212-031-161-JCAC	E05SS	NM-214-031-161-JCAC	E05ST	NM-215-031-161-JCAC
F05SC	NM-213-037-161-JCAC	F05SN	NM-212-037-161-JCAC	F05SS	NM-214-037-161-JCAC	F05ST	NM-215-037-161-JCAC
G05SC	NM-213-051-161-JCAC	G05SN	NM-212-051-161-JCAC	G05SS	NM-214-051-161-JCAC	G05ST	NM-215-051-161-JCAC
H05SC	NM-213-065-161-JCAC	H05SN	NM-212-065-161-JCAC	H05SS	NM-214-065-161-JCAC	H05ST	NM-215-065-161-JCAC
J05SC	NM-213-069-161-JCAC	J05SN	NM-212-069-161-JCAC	J05SS	NM-214-069-161-JCAC	J05ST	NM-215-069-161-JCAC
K05SC	NM-213-085-161-JCAC	K05SN	NM-212-085-161-JCAC	K05SS	NM-214-085-161-JCAC	K05ST	NM-215-085-161-JCAC
M32139/03- 36" NEMA HP3 COLOR CODED		M32139/03- 36" NEMA HP3 COLOR CODED		M32139/03- 36" NEMA HP3 COLOR CODED		M32139/03- 36" NEMA HP3 COLOR CODED	
A06SC	NM-213-009-161-JCAD	A06SN	NM-212-009-161-JCAD	A06SS	NM-214-009-161-JCAD	A06ST	NM-215-009-161-JCAD
B06SC	NM-213-015-161-JCAD	B06SN	NM-212-015-161-JCAD	B06SS	NM-214-015-161-JCAD	B06ST	NM-215-015-161-JCAD
C06SC	NM-213-021-161-JCAD	C06SN	NM-212-021-161-JCAD	C06SS	NM-214-021-161-JCAD	C06ST	NM-215-021-161-JCAD
D06SC	NM-213-025-161-JCAD	D06SN	NM-212-025-161-JCAD	D06SS	NM-214-025-161-JCAD	D06ST	NM-215-025-161-JCAD
E06SC	NM-213-031-161-JCAD	E06SN	NM-212-031-161-JCAD	E06SS	NM-214-031-161-JCAD	E06ST	NM-215-031-161-JCAD
F06SC	NM-213-037-161-JCAD	F06SN	NM-212-037-161-JCAD	F06SS	NM-214-037-161-JCAD	F06ST	NM-215-037-161-JCAD
G06SC	NM-213-051-161-JCAD	G06SN	NM-212-051-161-JCAD	G06SS	NM-214-051-161-JCAD	G06ST	NM-215-051-161-JCAD
H06SC	NM-213-065-161-JCAD	H06SN	NM-212-065-161-JCAD	H06SS	NM-214-065-161-JCAD	H06ST	NM-215-065-161-JCAD
J06SC	NM-213-069-161-JCAD	J06SN	NM-212-069-161-JCAD	J06SS	NM-214-069-161-JCAD	J06ST	NM-215-069-161-JCAD
K06SC	NM-213-085-161-JCAD	K06SN	NM-212-085-161-JCAD	K06SS	NM-214-085-161-JCAD	K06ST	NM-215-085-161-JCAD
M32139/03- 6" M22759/33 WHITE		M32139/03- 6" M22759/33 WHITE		M32139/03- 6" M22759/33 WHITE		M32139/03- 6" M22759/33 WHITE	
A07SC	NM-213-009-161-JCBE	A07SN(S)	NM-212-009-161-JCBE	A07SS(S)	NM-214-009-161-JCBE	A07ST(S)	NM-215-009-161-JCBE
B07SC	NM-213-015-161-JCBE	B07SN(S)	NM-212-015-161-JCBE	B07SS(S)	NM-214-015-161-JCBE	B07ST(S)	NM-215-015-161-JCBE
C07SC	NM-213-021-161-JCBE	C07SN(S)	NM-212-021-161-JCBE	C07SS(S)	NM-214-021-161-JCBE	C07ST(S)	NM-215-021-161-JCBE
D07SC	NM-213-025-161-JCBE	D07SN(S)	NM-212-025-161-JCBE	D07SS(S)	NM-214-025-161-JCBE	D07ST(S)	NM-215-025-161-JCBE
E07SC	NM-213-031-161-JCBE	E07SN(S)	NM-212-031-161-JCBE	E07SS(S)	NM-214-031-161-JCBE	E07ST(S)	NM-215-031-161-JCBE
F07SC	NM-213-037-161-JCBE	F07SN(S)	NM-212-037-161-JCBE	F07SS(S)	NM-214-037-161-JCBE	F07ST(S)	NM-215-037-161-JCBE
G07SC	NM-213-051-161-JCBE	G07SN(S)	NM-212-051-161-JCBE	G07SS(S)	NM-214-051-161-JCBE	G07ST(S)	NM-215-051-161-JCBE
H07SC	NM-213-065-161-JCBE	H07SN(S)	NM-212-065-161-JCBE	H07SS(S)	NM-214-065-161-JCBE	H07ST(S)	NM-215-065-161-JCBE
J07SC	NM-213-069-161-JCBE	J07SN(S)	NM-212-069-161-JCBE	J07SS(S)	NM-214-069-161-JCBE	J07ST(S)	NM-215-069-161-JCBE
K07SC	NM-213-085-161-JCBE	K07SN(S)	NM-212-085-161-JCBE	K07SS(S)	NM-214-085-161-JCBE	K07ST(S)	NM-215-085-161-JCBE
M32139/03- 18" M22759/33 WHITE		M32139/03- 18" M22759/33 WHITE		M32139/03- 18" M22759/33 WHITE		M32139/03- 18" M22759/33 WHITE	
A08SC	NM-213-009-161-JCBG	A08SN(S)	NM-212-009-161-JCBG	A08SS(S)	NM-214-009-161-JCBG	A08ST(S)	NM-215-009-161-JCBG
B08SC	NM-213-015-161-JCBG	B08SN(S)	NM-212-015-161-JCBG	B08SS(S)	NM-214-015-161-JCBG	B08ST(S)	NM-215-015-161-JCBG
C08SC	NM-213-021-161-JCBG	C08SN(S)	NM-212-021-161-JCBG	C08SS(S)	NM-214-021-161-JCBG	C08ST(S)	NM-215-021-161-JCBG
D08SC	NM-213-025-161-JCBG	D08SN(S)	NM-212-025-161-JCBG	D08SS(S)	NM-214-025-161-JCBG	D08ST(S)	NM-215-025-161-JCBG
E08SC	NM-213-031-161-JCBG	E08SN(S)	NM-212-031-161-JCBG	E08SS(S)	NM-214-031-161-JCBG	E08ST(S)	NM-215-031-161-JCBG
F08SC	NM-213-037-161-JCBG	F08SN(S)	NM-212-037-161-JCBG	F08SS(S)	NM-214-037-161-JCBG	F08ST(S)	NM-215-037-161-JCBG
G08SC	NM-213-051-161-JCBG	G08SN(S)	NM-212-051-161-JCBG	G08SS(S)	NM-214-051-161-JCBG	G08ST(S)	NM-215-051-161-JCBG
H08SC	NM-213-065-161-JCBG	H08SN(S)	NM-212-065-161-JCBG	H08SS(S)	NM-214-065-161-JCBG	H08ST(S)	NM-215-065-161-JCBG
J08SC	NM-213-069-161-JCBG	J08SN(S)	NM-212-069-161-JCBG	J08SS(S)	NM-214-069-161-JCBG	J08ST(S)	NM-215-069-161-JCBG
K08SC	NM-213-085-161-JCBG	K08SN(S)	NM-212-085-161-JCBG	K08SS(S)	NM-214-085-161-JCBG	K08ST(S)	NM-215-085-161-JCBG

-- Continued on next page

SPACE CLASS DESIGNATOR - (S)
 Cadmium Plated Aluminum shells are not available with the Space Class Designator; Space Class is optional on Nickel Plated Aluminum, Stainless Steel and Titanium Shells with SAE-AS22759/33 wire. AirBorn part numbers remain the same with or without the Designator.



Military Cross Reference Chart

M32139/03

-- Continued from previous page

2 ROW PLUG, JACKSCREW CAPTIVATED HARDWARE							
CADMIUM FINISH		NICKEL FINISH		STAINLESS STEEL		TITANIUM	
M32139/03- ^{36" M22759/33} WHITE		M32139/03- ^{36" M22759/33} WHITE		M32139/03- ^{36" M22759/33} WHITE		M32139/03- ^{36" M22759/33} WHITE	
A09SC	NM-213-009-161-JCBH	A09SN(S)	NM-212-009-161-JCBH	A09SS(S)	NM-214-009-161-JCBH	A09ST(S)	NM-215-009-161-JCBH
B09SC	NM-213-015-161-JCBH	B09SN(S)	NM-212-015-161-JCBH	B09SS(S)	NM-214-015-161-JCBH	B09ST(S)	NM-215-015-161-JCBH
C09SC	NM-213-021-161-JCBH	C09SN(S)	NM-212-021-161-JCBH	C09SS(S)	NM-214-021-161-JCBH	C09ST(S)	NM-215-021-161-JCBH
D09SC	NM-213-025-161-JCBH	D09SN(S)	NM-212-025-161-JCBH	D09SS(S)	NM-214-025-161-JCBH	D09ST(S)	NM-215-025-161-JCBH
E09SC	NM-213-031-161-JCBH	E09SN(S)	NM-212-031-161-JCBH	E09SS(S)	NM-214-031-161-JCBH	E09ST(S)	NM-215-031-161-JCBH
F09SC	NM-213-037-161-JCBH	F09SN(S)	NM-212-037-161-JCBH	F09SS(S)	NM-214-037-161-JCBH	F09ST(S)	NM-215-037-161-JCBH
G09SC	NM-213-051-161-JCBH	G09SN(S)	NM-212-051-161-JCBH	G09SS(S)	NM-214-051-161-JCBH	G09ST(S)	NM-215-051-161-JCBH
H09SC	NM-213-065-161-JCBH	H09SN(S)	NM-212-065-161-JCBH	H09SS(S)	NM-214-065-161-JCBH	H09ST(S)	NM-215-065-161-JCBH
J09SC	NM-213-069-161-JCBH	J09SN(S)	NM-212-069-161-JCBH	J09SS(S)	NM-214-069-161-JCBH	J09ST(S)	NM-215-069-161-JCBH
K09SC	NM-213-085-161-JCBH	K09SN(S)	NM-212-085-161-JCBH	K09SS(S)	NM-214-085-161-JCBH	K09ST(S)	NM-215-085-161-JCBH
M32139/03- ^{6" M22759/33} COLOR CODED		M32139/03- ^{6" M22759/33} COLOR CODED		M32139/03- ^{6" M22759/33} COLOR CODED		M32139/03- ^{6" M22759/33} COLOR CODED	
A10SC	NM-213-009-161-JCBA	A10SN(S)	NM-212-009-161-JCBA	A10SS(S)	NM-214-009-161-JCBA	A10ST(S)	NM-215-009-161-JCBA
B10SC	NM-213-015-161-JCBA	B10SN(S)	NM-212-015-161-JCBA	B10SS(S)	NM-214-015-161-JCBA	B10ST(S)	NM-215-015-161-JCBA
C10SC	NM-213-021-161-JCBA	C10SN(S)	NM-212-021-161-JCBA	C10SS(S)	NM-214-021-161-JCBA	C10ST(S)	NM-215-021-161-JCBA
D10SC	NM-213-025-161-JCBA	D10SN(S)	NM-212-025-161-JCBA	D10SS(S)	NM-214-025-161-JCBA	D10ST(S)	NM-215-025-161-JCBA
E10SC	NM-213-031-161-JCBA	E10SN(S)	NM-212-031-161-JCBA	E10SS(S)	NM-214-031-161-JCBA	E10ST(S)	NM-215-031-161-JCBA
F10SC	NM-213-037-161-JCBA	F10SN(S)	NM-212-037-161-JCBA	F10SS(S)	NM-214-037-161-JCBA	F10ST(S)	NM-215-037-161-JCBA
G10SC	NM-213-051-161-JCBA	G10SN(S)	NM-212-051-161-JCBA	G10SS(S)	NM-214-051-161-JCBA	G10ST(S)	NM-215-051-161-JCBA
H10SC	NM-213-065-161-JCBA	H10SN(S)	NM-212-065-161-JCBA	H10SS(S)	NM-214-065-161-JCBA	H10ST(S)	NM-215-065-161-JCBA
J10SC	NM-213-069-161-JCBA	J10SN(S)	NM-212-069-161-JCBA	J10SS(S)	NM-214-069-161-JCBA	J10ST(S)	NM-215-069-161-JCBA
K10SC	NM-213-085-161-JCBA	K10SN(S)	NM-212-085-161-JCBA	K10SS(S)	NM-214-085-161-JCBA	K10ST(S)	NM-215-085-161-JCBA
M32139/03- ^{18" M22759/33} COLOR CODED		M32139/03- ^{18" M22759/33} COLOR CODED		M32139/03- ^{18" M22759/33} COLOR CODED		M32139/03- ^{18" M22759/33} COLOR CODED	
A11SC	NM-213-009-161-JCBC	A11SN(S)	NM-212-009-161-JCBC	A11SS(S)	NM-214-009-161-JCBC	A11ST(S)	NM-215-009-161-JCBC
B11SC	NM-213-015-161-JCBC	B11SN(S)	NM-212-015-161-JCBC	B11SS(S)	NM-214-015-161-JCBC	B11ST(S)	NM-215-015-161-JCBC
C11SC	NM-213-021-161-JCBC	C11SN(S)	NM-212-021-161-JCBC	C11SS(S)	NM-214-021-161-JCBC	C11ST(S)	NM-215-021-161-JCBC
D11SC	NM-213-025-161-JCBC	D11SN(S)	NM-212-025-161-JCBC	D11SS(S)	NM-214-025-161-JCBC	D11ST(S)	NM-215-025-161-JCBC
E11SC	NM-213-031-161-JCBC	E11SN(S)	NM-212-031-161-JCBC	E11SS(S)	NM-214-031-161-JCBC	E11ST(S)	NM-215-031-161-JCBC
F11SC	NM-213-037-161-JCBC	F11SN(S)	NM-212-037-161-JCBC	F11SS(S)	NM-214-037-161-JCBC	F11ST(S)	NM-215-037-161-JCBC
G11SC	NM-213-051-161-JCBC	G11SN(S)	NM-212-051-161-JCBC	G11SS(S)	NM-214-051-161-JCBC	G11ST(S)	NM-215-051-161-JCBC
H11SC	NM-213-065-161-JCBC	H11SN(S)	NM-212-065-161-JCBC	H11SS(S)	NM-214-065-161-JCBC	H11ST(S)	NM-215-065-161-JCBC
J11SC	NM-213-069-161-JCBC	J11SN(S)	NM-212-069-161-JCBC	J11SS(S)	NM-214-069-161-JCBC	J11ST(S)	NM-215-069-161-JCBC
K11SC	NM-213-085-161-JCBC	K11SN(S)	NM-212-085-161-JCBC	K11SS(S)	NM-214-085-161-JCBC	K11ST(S)	NM-215-085-161-JCBC
M32139/03- ^{36" M22759/33} COLOR CODED		M32139/03- ^{36" M22759/33} COLOR CODED		M32139/03- ^{36" M22759/33} COLOR CODED		M32139/03- ^{36" M22759/33} COLOR CODED	
A12SC	NM-213-009-161-JCBD	A12SN(S)	NM-212-009-161-JCBD	A12SS(S)	NM-214-009-161-JCBD	A12ST(S)	NM-215-009-161-JCBD
B12SC	NM-213-015-161-JCBD	B12SN(S)	NM-212-015-161-JCBD	B12SS(S)	NM-214-015-161-JCBD	B12ST(S)	NM-215-015-161-JCBD
C12SC	NM-213-021-161-JCBD	C12SN(S)	NM-212-021-161-JCBD	C12SS(S)	NM-214-021-161-JCBD	C12ST(S)	NM-215-021-161-JCBD
D12SC	NM-213-025-161-JCBD	D12SN(S)	NM-212-025-161-JCBD	D12SS(S)	NM-214-025-161-JCBD	D12ST(S)	NM-215-025-161-JCBD
E12SC	NM-213-031-161-JCBD	E12SN(S)	NM-212-031-161-JCBD	E12SS(S)	NM-214-031-161-JCBD	E12ST(S)	NM-215-031-161-JCBD
F12SC	NM-213-037-161-JCBD	F12SN(S)	NM-212-037-161-JCBD	F12SS(S)	NM-214-037-161-JCBD	F12ST(S)	NM-215-037-161-JCBD
G12SC	NM-213-051-161-JCBD	G12SN(S)	NM-212-051-161-JCBD	G12SS(S)	NM-214-051-161-JCBD	G12ST(S)	NM-215-051-161-JCBD
H12SC	NM-213-065-161-JCBD	H12SN(S)	NM-212-065-161-JCBD	H12SS(S)	NM-214-065-161-JCBD	H12ST(S)	NM-215-065-161-JCBD
J12SC	NM-213-069-161-JCBD	J12SN(S)	NM-212-069-161-JCBD	J12SS(S)	NM-214-069-161-JCBD	J12ST(S)	NM-215-069-161-JCBD
K12SC	NM-213-085-161-JCBD	K12SN(S)	NM-212-085-161-JCBD	K12SS(S)	NM-214-085-161-JCBD	K12ST(S)	NM-215-085-161-JCBD

-- Continued on next page

SPACE CLASS DESIGNATOR - (S)

Cadmium Plated Aluminum shells are not available with the Space Class Designator; Space Class is optional on Nickel Plated Aluminum, Stainless Steel and Titanium Shells with SAE-AS22759/33 wire. AirBorn part numbers remain the same with or without the Designator.



Military Cross Reference Chart

M32139/03

-- Continued from previous page

2 ROW PLUG, JACKSCREW CAPTIVATED HARDWARE							
CADMIUM FINISH		NICKEL FINISH		STAINLESS STEEL		TITANIUM	
M32139/03- 6" 04047-30A WHITE		M32139/03- 6" 04047-30A WHITE		M32139/03- 6" 04047-30A WHITE		M32139/03- 6" 04047-30A WHITE	
A13SC	NM-213-009-161-JCCE	A13SN	NM-212-009-161-JCCE	A13SS	NM-214-009-161-JCCE	A13ST	NM-215-009-161-JCCE
B13SC	NM-213-015-161-JCCE	B13SN	NM-212-015-161-JCCE	B13SS	NM-214-015-161-JCCE	B13ST	NM-215-015-161-JCCE
C13SC	NM-213-021-161-JCCE	C13SN	NM-212-021-161-JCCE	C13SS	NM-214-021-161-JCCE	C13ST	NM-215-021-161-JCCE
D13SC	NM-213-025-161-JCCE	D13SN	NM-212-025-161-JCCE	D13SS	NM-214-025-161-JCCE	D13ST	NM-215-025-161-JCCE
E13SC	NM-213-031-161-JCCE	E13SN	NM-212-031-161-JCCE	E13SS	NM-214-031-161-JCCE	E13ST	NM-215-031-161-JCCE
F13SC	NM-213-037-161-JCCE	F13SN	NM-212-037-161-JCCE	F13SS	NM-214-037-161-JCCE	F13ST	NM-215-037-161-JCCE
G13SC	NM-213-051-161-JCCE	G13SN	NM-212-051-161-JCCE	G13SS	NM-214-051-161-JCCE	G13ST	NM-215-051-161-JCCE
H13SC	NM-213-065-161-JCCE	H13SN	NM-212-065-161-JCCE	H13SS	NM-214-065-161-JCCE	H13ST	NM-215-065-161-JCCE
J13SC	NM-213-069-161-JCCE	J13SN	NM-212-069-161-JCCE	J13SS	NM-214-069-161-JCCE	J13ST	NM-215-069-161-JCCE
K13SC	NM-213-085-161-JCCE	K13SN	NM-212-085-161-JCCE	K13SS	NM-214-085-161-JCCE	K13ST	NM-215-085-161-JCCE
M32139/03- 18" 04047-30A WHITE		M32139/03- 18" 04047-30A WHITE		M32139/03- 18" 04047-30A WHITE		M32139/03- 18" 04047-30A WHITE	
A14SC	NM-213-009-161-JCCG	A14SN	NM-212-009-161-JCCG	A14SS	NM-214-009-161-JCCG	A14ST	NM-215-009-161-JCCG
B14SC	NM-213-015-161-JCCG	B14SN	NM-212-015-161-JCCG	B14SS	NM-214-015-161-JCCG	B14ST	NM-215-015-161-JCCG
C14SC	NM-213-021-161-JCCG	C14SN	NM-212-021-161-JCCG	C14SS	NM-214-021-161-JCCG	C14ST	NM-215-021-161-JCCG
D14SC	NM-213-025-161-JCCG	D14SN	NM-212-025-161-JCCG	D14SS	NM-214-025-161-JCCG	D14ST	NM-215-025-161-JCCG
E14SC	NM-213-031-161-JCCG	E14SN	NM-212-031-161-JCCG	E14SS	NM-214-031-161-JCCG	E14ST	NM-215-031-161-JCCG
F14SC	NM-213-037-161-JCCG	F14SN	NM-212-037-161-JCCG	F14SS	NM-214-037-161-JCCG	F14ST	NM-215-037-161-JCCG
G14SC	NM-213-051-161-JCCG	G14SN	NM-212-051-161-JCCG	G14SS	NM-214-051-161-JCCG	G14ST	NM-215-051-161-JCCG
H14SC	NM-213-065-161-JCCG	H14SN	NM-212-065-161-JCCG	H14SS	NM-214-065-161-JCCG	H14ST	NM-215-065-161-JCCG
J14SC	NM-213-069-161-JCCG	J14SN	NM-212-069-161-JCCG	J14SS	NM-214-069-161-JCCG	J14ST	NM-215-069-161-JCCG
K14SC	NM-213-085-161-JCCG	K14SN	NM-212-085-161-JCCG	K14SS	NM-214-085-161-JCCG	K14ST	NM-215-085-161-JCCG
M32139/03- 36" 04047-30A WHITE		M32139/03- 36" 04047-30A WHITE		M32139/03- 36" 04047-30A WHITE		M32139/03- 36" 04047-30A WHITE	
A15SC	NM-213-009-161-JCCH	A15SN	NM-212-009-161-JCCH	A15SS	NM-214-009-161-JCCH	A15ST	NM-215-009-161-JCCH
B15SC	NM-213-015-161-JCCH	B15SN	NM-212-015-161-JCCH	B15SS	NM-214-015-161-JCCH	B15ST	NM-215-015-161-JCCH
C15SC	NM-213-021-161-JCCH	C15SN	NM-212-021-161-JCCH	C15SS	NM-214-021-161-JCCH	C15ST	NM-215-021-161-JCCH
D15SC	NM-213-025-161-JCCH	D15SN	NM-212-025-161-JCCH	D15SS	NM-214-025-161-JCCH	D15ST	NM-215-025-161-JCCH
E15SC	NM-213-031-161-JCCH	E15SN	NM-212-031-161-JCCH	E15SS	NM-214-031-161-JCCH	E15ST	NM-215-031-161-JCCH
F15SC	NM-213-037-161-JCCH	F15SN	NM-212-037-161-JCCH	F15SS	NM-214-037-161-JCCH	F15ST	NM-215-037-161-JCCH
G15SC	NM-213-051-161-JCCH	G15SN	NM-212-051-161-JCCH	G15SS	NM-214-051-161-JCCH	G15ST	NM-215-051-161-JCCH
H15SC	NM-213-065-161-JCCH	H15SN	NM-212-065-161-JCCH	H15SS	NM-214-065-161-JCCH	H15ST	NM-215-065-161-JCCH
J15SC	NM-213-069-161-JCCH	J15SN	NM-212-069-161-JCCH	J15SS	NM-214-069-161-JCCH	J15ST	NM-215-069-161-JCCH
K15SC	NM-213-085-161-JCCH	K15SN	NM-212-085-161-JCCH	K15SS	NM-214-085-161-JCCH	K15ST	NM-215-085-161-JCCH
M32139/03- 6" 04047-30A COLOR CODED		M32139/03- 6" 04047-30A COLOR CODED		M32139/03- 6" 04047-30A COLOR CODED		M32139/03- 6" 04047-30A COLOR CODED	
A16SC	NM-213-009-161-JCCA	A16SN	NM-212-009-161-JCCA	A16SS	NM-214-009-161-JCCA	A16ST	NM-215-009-161-JCCA
B16SC	NM-213-015-161-JCCA	B16SN	NM-212-015-161-JCCA	B16SS	NM-214-015-161-JCCA	B16ST	NM-215-015-161-JCCA
C16SC	NM-213-021-161-JCCA	C16SN	NM-212-021-161-JCCA	C16SS	NM-214-021-161-JCCA	C16ST	NM-215-021-161-JCCA
D16SC	NM-213-025-161-JCCA	D16SN	NM-212-025-161-JCCA	D16SS	NM-214-025-161-JCCA	D16ST	NM-215-025-161-JCCA
E16SC	NM-213-031-161-JCCA	E16SN	NM-212-031-161-JCCA	E16SS	NM-214-031-161-JCCA	E16ST	NM-215-031-161-JCCA
F16SC	NM-213-037-161-JCCA	F16SN	NM-212-037-161-JCCA	F16SS	NM-214-037-161-JCCA	F16ST	NM-215-037-161-JCCA
G16SC	NM-213-051-161-JCCA	G16SN	NM-212-051-161-JCCA	G16SS	NM-214-051-161-JCCA	G16ST	NM-215-051-161-JCCA
H16SC	NM-213-065-161-JCCA	H16SN	NM-212-065-161-JCCA	H16SS	NM-214-065-161-JCCA	H16ST	NM-215-065-161-JCCA
J16SC	NM-213-069-161-JCCA	J16SN	NM-212-069-161-JCCA	J16SS	NM-214-069-161-JCCA	J16ST	NM-215-069-161-JCCA
K16SC	NM-213-085-161-JCCA	K16SN	NM-212-085-161-JCCA	K16SS	NM-214-085-161-JCCA	K16ST	NM-215-085-161-JCCA

-- Continued on next page

SPACE CLASS DESIGNATOR - (S)
 Cadmium Plated Aluminum shells are not available with the Space Class Designator; Space Class is optional on Nickel Plated Aluminum, Stainless Steel and Titanium Shells with SAE-AS22759/33 wire. AirBorn part numbers remain the same with or without the Designator.



Military Cross Reference Chart

M32139/03

-- Continued from previous page

2 ROW PLUG, JACKSCREW CAPTIVATED HARDWARE							
CADMIUM FINISH		NICKEL FINISH		STAINLESS STEEL		TITANIUM	
M32139/03- 18" 04047-30A COLOR CODED		M32139/03- 18" 04047-30A COLOR CODED		M32139/03- 18" 04047-30A COLOR CODED		M32139/03- 18" 04047-30A COLOR CODED	
A17SC	NM-213-009-161-JCCC	A17SN	NM-212-009-161-JCCC	A17SS	NM-214-009-161-JCCC	A17ST	NM-215-009-161-JCCC
B17SC	NM-213-015-161-JCCC	B17SN	NM-212-015-161-JCCC	B17SS	NM-214-015-161-JCCC	B17ST	NM-215-015-161-JCCC
C17SC	NM-213-021-161-JCCC	C17SN	NM-212-021-161-JCCC	C17SS	NM-214-021-161-JCCC	C17ST	NM-215-021-161-JCCC
D17SC	NM-213-025-161-JCCC	D17SN	NM-212-025-161-JCCC	D17SS	NM-214-025-161-JCCC	D17ST	NM-215-025-161-JCCC
E17SC	NM-213-031-161-JCCC	E17SN	NM-212-031-161-JCCC	E17SS	NM-214-031-161-JCCC	E17ST	NM-215-031-161-JCCC
F17SC	NM-213-037-161-JCCC	F17SN	NM-212-037-161-JCCC	F17SS	NM-214-037-161-JCCC	F17ST	NM-215-037-161-JCCC
G17SC	NM-213-051-161-JCCC	G17SN	NM-212-051-161-JCCC	G17SS	NM-214-051-161-JCCC	G17ST	NM-215-051-161-JCCC
H17SC	NM-213-065-161-JCCC	H17SN	NM-212-065-161-JCCC	H17SS	NM-214-065-161-JCCC	H17ST	NM-215-065-161-JCCC
J17SC	NM-213-069-161-JCCC	J17SN	NM-212-069-161-JCCC	J17SS	NM-214-069-161-JCCC	J17ST	NM-215-069-161-JCCC
K17SC	NM-213-085-161-JCCC	K17SN	NM-212-085-161-JCCC	K17SS	NM-214-085-161-JCCC	K17ST	NM-215-085-161-JCCC
M32139/03- 36" 04047-30A COLOR CODED		M32139/03- 36" 04047-30A COLOR CODED		M32139/03- 36" 04047-30A COLOR CODED		M32139/03- 36" 04047-30A COLOR CODED	
A18SC	NM-213-009-161-JCCD	A18SN	NM-212-009-161-JCCD	A18SS	NM-214-009-161-JCCD	A18ST	NM-215-009-161-JCCD
B18SC	NM-213-015-161-JCCD	B18SN	NM-212-015-161-JCCD	B18SS	NM-214-015-161-JCCD	B18ST	NM-215-015-161-JCCD
C18SC	NM-213-021-161-JCCD	C18SN	NM-212-021-161-JCCD	C18SS	NM-214-021-161-JCCD	C18ST	NM-215-021-161-JCCD
D18SC	NM-213-025-161-JCCD	D18SN	NM-212-025-161-JCCD	D18SS	NM-214-025-161-JCCD	D18ST	NM-215-025-161-JCCD
E18SC	NM-213-031-161-JCCD	E18SN	NM-212-031-161-JCCD	E18SS	NM-214-031-161-JCCD	E18ST	NM-215-031-161-JCCD
F18SC	NM-213-037-161-JCCD	F18SN	NM-212-037-161-JCCD	F18SS	NM-214-037-161-JCCD	F18ST	NM-215-037-161-JCCD
G18SC	NM-213-051-161-JCCD	G18SN	NM-212-051-161-JCCD	G18SS	NM-214-051-161-JCCD	G18ST	NM-215-051-161-JCCD
H18SC	NM-213-065-161-JCCD	H18SN	NM-212-065-161-JCCD	H18SS	NM-214-065-161-JCCD	H18ST	NM-215-065-161-JCCD
J18SC	NM-213-069-161-JCCD	J18SN	NM-212-069-161-JCCD	J18SS	NM-214-069-161-JCCD	J18ST	NM-215-069-161-JCCD
K18SC	NM-213-085-161-JCCD	K18SN	NM-212-085-161-JCCD	K18SS	NM-214-085-161-JCCD	K18ST	NM-215-085-161-JCCD

-- Continued on next page

SPACE CLASS DESIGNATOR - (S)

Cadmium Plated Aluminum shells are not available with the Space Class Designator; Space Class is optional on Nickel Plated Aluminum, Stainless Steel and Titanium Shells with SAE-AS22759/33 wire. AirBorn part numbers remain the same with or without the Designator.



Military Cross Reference Chart M32139/03

-- Continued from previous page

2 ROW PLUG, THREADED HARDWARE							
CADMIUM FINISH		NICKEL FINISH		STAINLESS STEEL		TITANIUM	
M32139/03- <small>6" NEMA HP3 WHITE</small>		M32139/03- <small>6" NEMA HP3 WHITE</small>		M32139/03- <small>6" NEMA HP3 WHITE</small>		M32139/03- <small>6" NEMA HP3 WHITE</small>	
A01TC	NM-213-009-161-THAE	A01TN	NM-212-009-161-THAE	A01TS	NM-214-009-161-THAE	A01TT	NM-215-009-161-THAE
B01TC	NM-213-015-161-THAE	B01TN	NM-212-015-161-THAE	B01TS	NM-214-015-161-THAE	B01TT	NM-215-015-161-THAE
C01TC	NM-213-021-161-THAE	C01TN	NM-212-021-161-THAE	C01TS	NM-214-021-161-THAE	C01TT	NM-215-021-161-THAE
D01TC	NM-213-025-161-THAE	D01TN	NM-212-025-161-THAE	D01TS	NM-214-025-161-THAE	D01TT	NM-215-025-161-THAE
E01TC	NM-213-031-161-THAE	E01TN	NM-212-031-161-THAE	E01TS	NM-214-031-161-THAE	E01TT	NM-215-031-161-THAE
F01TC	NM-213-037-161-THAE	F01TN	NM-212-037-161-THAE	F01TS	NM-214-037-161-THAE	F01TT	NM-215-037-161-THAE
G01TC	NM-213-051-161-THAE	G01TN	NM-212-051-161-THAE	G01TS	NM-214-051-161-THAE	G01TT	NM-215-051-161-THAE
H01TC	NM-213-065-161-THAE	H01TN	NM-212-065-161-THAE	H01TS	NM-214-065-161-THAE	H01TT	NM-215-065-161-THAE
J01TC	NM-213-069-161-THAE	J01TN	NM-212-069-161-THAE	J01TS	NM-214-069-161-THAE	J01TT	NM-215-069-161-THAE
K01TC	NM-213-085-161-THAE	K01TN	NM-212-085-161-THAE	K01TS	NM-214-085-161-THAE	K01TT	NM-215-085-161-THAE
M32139/03- <small>18" NEMA HP3 WHITE</small>		M32139/03- <small>18" NEMA HP3 WHITE</small>		M32139/03- <small>18" NEMA HP3 WHITE</small>		M32139/03- <small>18" NEMA HP3 WHITE</small>	
A02TC	NM-213-009-161-THAG	A02TN	NM-212-009-161-THAG	A02TS	NM-214-009-161-THAG	A02TT	NM-215-009-161-THAG
B02TC	NM-213-015-161-THAG	B02TN	NM-212-015-161-THAG	B02TS	NM-214-015-161-THAG	B02TT	NM-215-015-161-THAG
C02TC	NM-213-021-161-THAG	C02TN	NM-212-021-161-THAG	C02TS	NM-214-021-161-THAG	C02TT	NM-215-021-161-THAG
D02TC	NM-213-025-161-THAG	D02TN	NM-212-025-161-THAG	D02TS	NM-214-025-161-THAG	D02TT	NM-215-025-161-THAG
E02TC	NM-213-031-161-THAG	E02TN	NM-212-031-161-THAG	E02TS	NM-214-031-161-THAG	E02TT	NM-215-031-161-THAG
F02TC	NM-213-037-161-THAG	F02TN	NM-212-037-161-THAG	F02TS	NM-214-037-161-THAG	F02TT	NM-215-037-161-THAG
G02TC	NM-213-051-161-THAG	G02TN	NM-212-051-161-THAG	G02TS	NM-214-051-161-THAG	G02TT	NM-215-051-161-THAG
H02TC	NM-213-065-161-THAG	H02TN	NM-212-065-161-THAG	H02TS	NM-214-065-161-THAG	H02TT	NM-215-065-161-THAG
J02TC	NM-213-069-161-THAG	J02TN	NM-212-069-161-THAG	J02TS	NM-214-069-161-THAG	J02TT	NM-215-069-161-THAG
K02TC	NM-213-085-161-THAG	K02TN	NM-212-085-161-THAG	K02TS	NM-214-085-161-THAG	K02TT	NM-215-085-161-THAG
M32139/03- <small>36" NEMA HP3 WHITE</small>		M32139/03- <small>36" NEMA HP3 WHITE</small>		M32139/03- <small>36" NEMA HP3 WHITE</small>		M32139/03- <small>36" NEMA HP3 WHITE</small>	
A03TC	NM-213-009-161-THAH	A03TN	NM-212-009-161-THAH	A03TS	NM-214-009-161-THAH	A03TT	NM-215-009-161-THAH
B03TC	NM-213-015-161-THAH	B03TN	NM-212-015-161-THAH	B03TS	NM-214-015-161-THAH	B03TT	NM-215-015-161-THAH
C03TC	NM-213-021-161-THAH	C03TN	NM-212-021-161-THAH	C03TS	NM-214-021-161-THAH	C03TT	NM-215-021-161-THAH
D03TC	NM-213-025-161-THAH	D03TN	NM-212-025-161-THAH	D03TS	NM-214-025-161-THAH	D03TT	NM-215-025-161-THAH
E03TC	NM-213-031-161-THAH	E03TN	NM-212-031-161-THAH	E03TS	NM-214-031-161-THAH	E03TT	NM-215-031-161-THAH
F03TC	NM-213-037-161-THAH	F03TN	NM-212-037-161-THAH	F03TS	NM-214-037-161-THAH	F03TT	NM-215-037-161-THAH
G03TC	NM-213-051-161-THAH	G03TN	NM-212-051-161-THAH	G03TS	NM-214-051-161-THAH	G03TT	NM-215-051-161-THAH
H03TC	NM-213-065-161-THAH	H03TN	NM-212-065-161-THAH	H03TS	NM-214-065-161-THAH	H03TT	NM-215-065-161-THAH
J03TC	NM-213-069-161-THAH	J03TN	NM-212-069-161-THAH	J03TS	NM-214-069-161-THAH	J03TT	NM-215-069-161-THAH
K03SC	NM-213-085-161-THAH	K03TN	NM-212-085-161-THAH	K03TS	NM-214-085-161-THAH	K03TT	NM-215-085-161-THAH
M32139/03- <small>6" NEMA HP3 COLOR CODED</small>		M32139/03- <small>6" NEMA HP3 COLOR CODED</small>		M32139/03- <small>6" NEMA HP3 COLOR CODED</small>		M32139/03- <small>6" NEMA HP3 COLOR CODED</small>	
A04TC	NM-213-009-161-THAA	A04TN	NM-212-009-161-THAA	A04TS	NM-214-009-161-THAA	A04TT	NM-215-009-161-THAA
B04TC	NM-213-015-161-THAA	B04TN	NM-212-015-161-THAA	B04TS	NM-214-015-161-THAA	B04TT	NM-215-015-161-THAA
C04TC	NM-213-021-161-THAA	C04TN	NM-212-021-161-THAA	C04TS	NM-214-021-161-THAA	C04TT	NM-215-021-161-THAA
D04TC	NM-213-025-161-THAA	D04TN	NM-212-025-161-THAA	D04TS	NM-214-025-161-THAA	D04TT	NM-215-025-161-THAA
E04TC	NM-213-031-161-THAA	E04TN	NM-212-031-161-THAA	E04TS	NM-214-031-161-THAA	E04TT	NM-215-031-161-THAA
F04TC	NM-213-037-161-THAA	F04TN	NM-212-037-161-THAA	F04TS	NM-214-037-161-THAA	F04TT	NM-215-037-161-THAA
G04TC	NM-213-051-161-THAA	G04TN	NM-212-051-161-THAA	G04TS	NM-214-051-161-THAA	G04TT	NM-215-051-161-THAA
H04TC	NM-213-065-161-THAA	H04TN	NM-212-065-161-THAA	H04TS	NM-214-065-161-THAA	H04TT	NM-215-065-161-THAA
J04TC	NM-213-069-161-THAA	J04TN	NM-212-069-161-THAA	J04TS	NM-214-069-161-THAA	J04TT	NM-215-069-161-THAA
K04TC	NM-213-085-161-THAA	K04TN	NM-212-085-161-THAA	K04TS	NM-214-085-161-THAA	K04TT	NM-215-085-161-THAA

SPACE CLASS DESIGNATOR - (S)

Cadmium Plated Aluminum shells are not available with the Space Class Designator; Space Class is optional on Nickel Plated Aluminum, Stainless Steel and Titanium Shells with SAE-AS22759/33 wire. AirBorn part numbers remain the same with or without the Designator.

The AirBorn Advantage

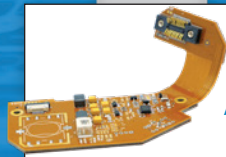
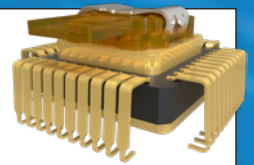
Model-To-Market Solutions



Rugged Power Systems



Photonics/Optoelectronics



Flexible Circuit Assemblies



Cable Assemblies



FUZE Assemblies



Active Optical Assemblies



Rectangular W Series



Rectangular R Series



Micro D M Series



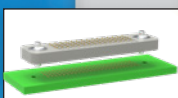
Nano D N Series



Rectangular 25Gbps verSI



Modular Hybrid SInergy



Z Axis Interposer Z Series



High-Speed Micro D microSI



Stackable RC & RCII Series



Circular Series 360



Strip Connector AirStrip



PowerAmp 13A or 23A Power



Macro D RockKet

NSC-1.23

AirBorn

p. 512.863.5585
www.airborn.com

